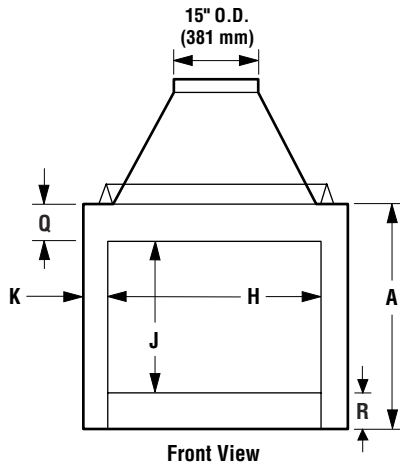
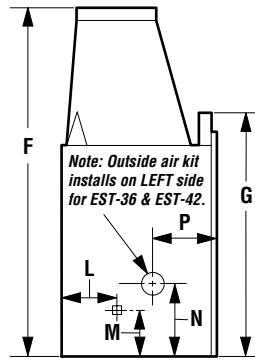


LENOX™ ESTATE™ SERIES WOOD BURNING FIREPLACES • EST-36 / EST-42 / EST-50

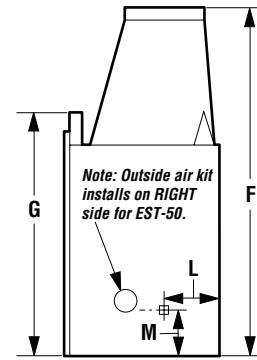
Appliance Specifications



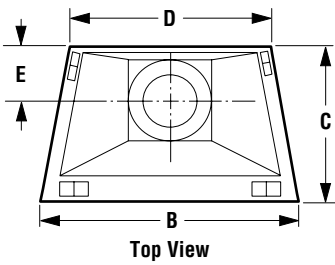
Front View



Left Side



Right Side



Top View

Model No.		A	B	C	D	E	F	G	H
EST-36 & EST-42	in.	42-9/16	47-7/8	28-9/16	37-1/4	11	66-1/16	47-1/8	36 / 42
	mm	1081	1216	725	946	279	1678	1197	914 / 1067
EST-50	in.	53-1/4	59-1/2	29-5/8	44-5/8	14-1/4	84	61-7/8	50
	mm	1353	1511	753	1133	362	2134	1572	1270

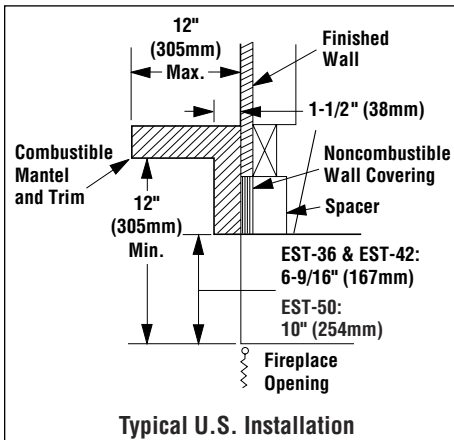
Model No.	J	K	L	M	N	P	Q	R	
EST-36 & EST-42	in.	29	6 (36") / 3 (42")	10-1/2	8-3/4	13	12	6-9/16	7
	mm	737	152 (36") / 76 (42")	267	222	330	305	167	178
EST-50	in.	36	4-3/4	15	10	10-5/8	11-1/8	8-9/16	8-1/2
	mm	914	121	381	254	270	283	218	216

FIREPLACE FINISHES:

Mantels and Trim

In installations other than Canada, combustible mantels and trim may be installed as shown in the illustrations below and as per NFPA 211-Mantel/Trim Clearances. If a mantel is of a noncombustible material, it is exempt from these requirements as long as it does NOT interfere with the installation or operation of glass doors.

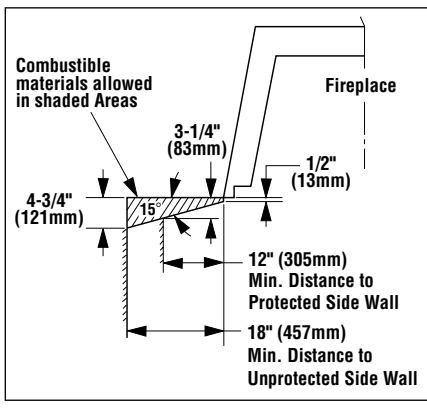
For combustible mantel and trim specifications in Canadian installations (EST-36 and EST-42 only), see the fireplace Installation Instructions.



FIREPLACE FINISHES:

Vertical Surround Limitations

Combustible materials may project beyond the sides of the fireplace opening as long as they are kept within the shaded area illustrated below.



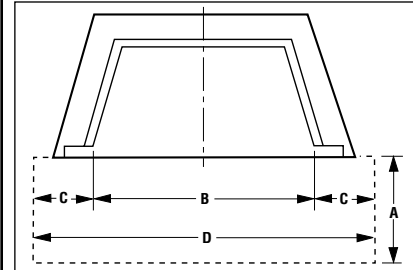
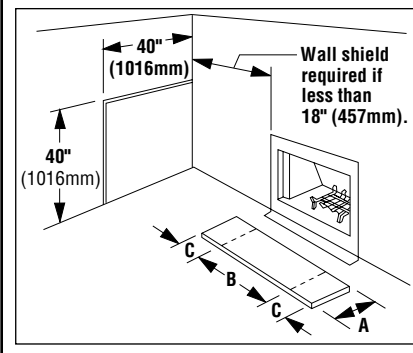
Note:

- Diagrams, illustrations, and photographs are not to scale; consult fireplace Installation Instructions.
- Product designs, materials, dimensions, specifications, colors, and prices are subject to change or discontinuance without notice.
- EST-50 models are not sold in Canada.

FIREPLACE FINISHES:

Hearth Extensions and Wall Shields

A hearth extension must be installed with all fireplaces. Its purpose is twofold: 1) to protect a combustible floor in front of the fireplace from both radiant heat and sparks; and 2) to distinguish the prescribed hearth extension area from other unprotected surfaces.



Models	A	B	C	D
EST-36	20" (508mm)	36" (914mm)	12" (305mm)	60" (1524mm)
	20" (508mm)	42" (1066mm)	12" (305mm)	60" (1524mm)
EST-42	20" (508mm)	50" (1270mm)	12" (305mm)	74" (1880mm)
	20" (508mm)	50" (1270mm)	12" (305mm)	74" (1880mm)

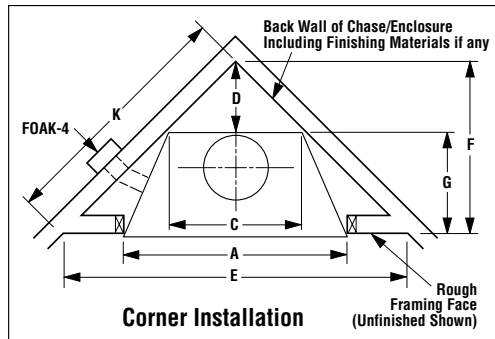
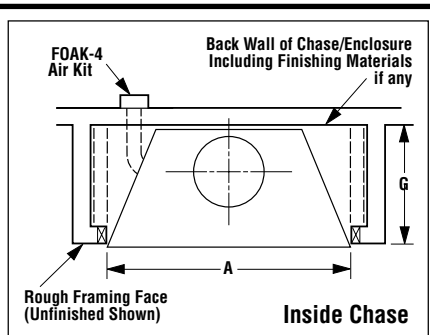
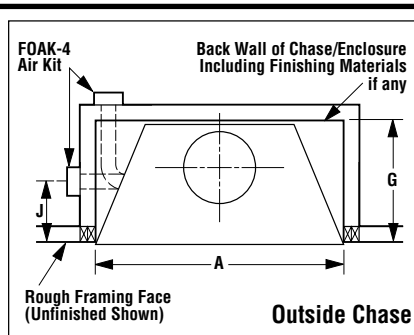
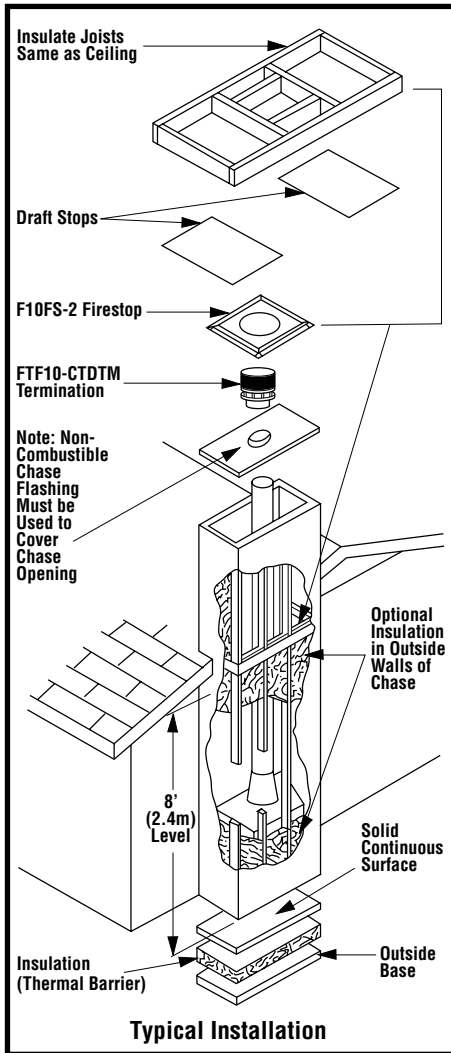
Hearth Extension Dimensions



LENOX™ ESTATE™ SERIES WOOD BURNING FIREPLACES • EST-36 / EST-42 / EST-50

Framing Specifications

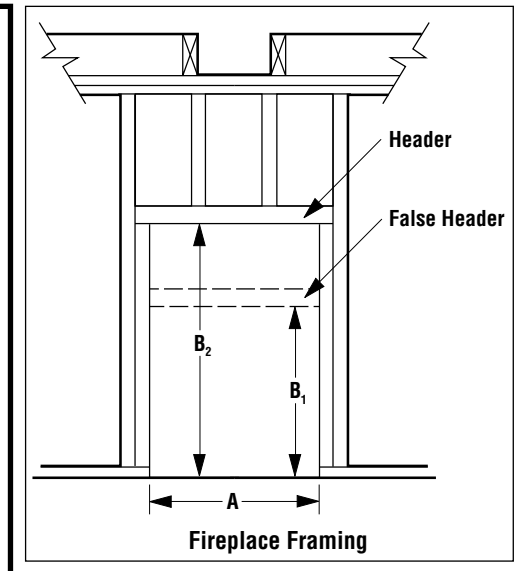
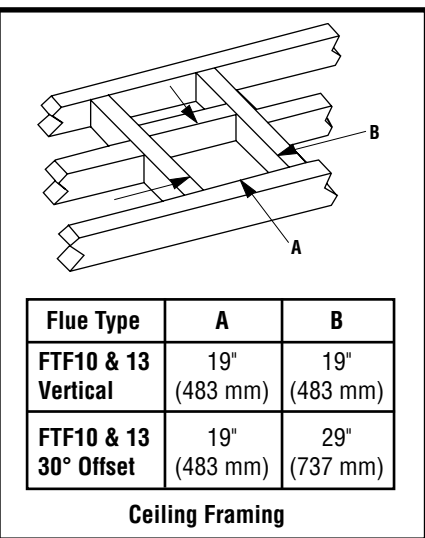
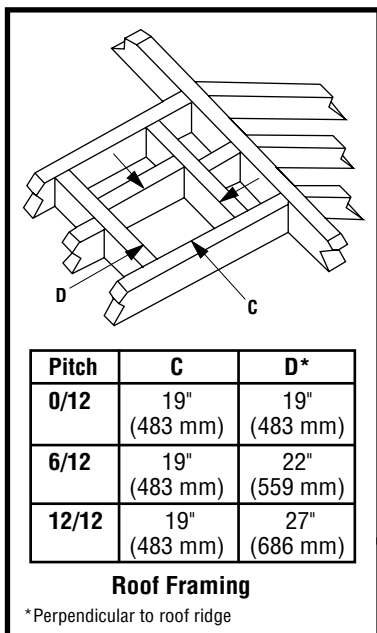
Note: All framing dimensions calculated for 1/2 inch dry wall at the appliance face.
If sheathing the chase or finishing with other thickness materials, calculations will need to be made.



Note:

- The framed depth from a framed wall (item "G" in the Framing Dimensions table below) must always be measured from a finished surface. If a wall covering (such as drywall) is to be attached to the rear wall, measure the framed depth from the drywall surface. **This dimension MUST be exact.**
- If the appliance is to be elevated above floor level, a solid, continuous, platform must be constructed.
- The header may rest on the top metal spacers; however, NEVER notch the header to fit around the spacers.
- Consult all local codes.

	Framing Dimensions			
	EST-36 and EST-42		EST-50	
A	48 in (1219 mm)	60-3/4 in (1543 mm)		
B ₁	47-1/4 in (1200 mm)	62-1/4 in (1581 mm)		
B ₂	66-1/2 in (1689 mm)	84-1/2 in (2146 mm)		
C	37-1/4 in (946 mm)	44-5/8 in (1133 mm)		
D	18-5/8 in (473 mm)	22-5/16 in (567 mm)		
E	94-7/8 in (2410 mm)	104-1/8 in (2645 mm)		
F	47-7/16 in (1205 mm)	52-1/16 in (1322 mm)		
G	28-13/16 in (732 mm)	29-3/4 in (756 mm)		
J	11-3/8 in (289 mm)	10 in (254 mm)		
K	67 in (1702 mm)	73-5/8 in (1870 mm)		



NOTE: DIAGRAMS & ILLUSTRATIONS ARE NOT TO SCALE.