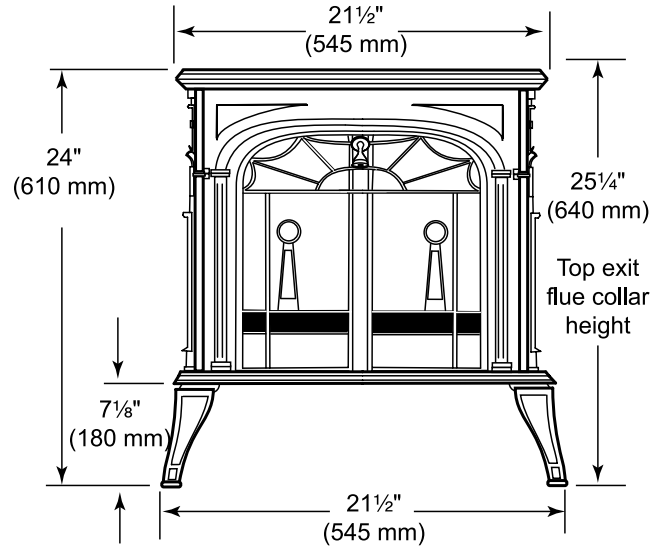


PRODUCT SPECIFICATIONS
INTREPID II CATALYTIC WOOD STOVE



ACTUAL DIMENSIONS

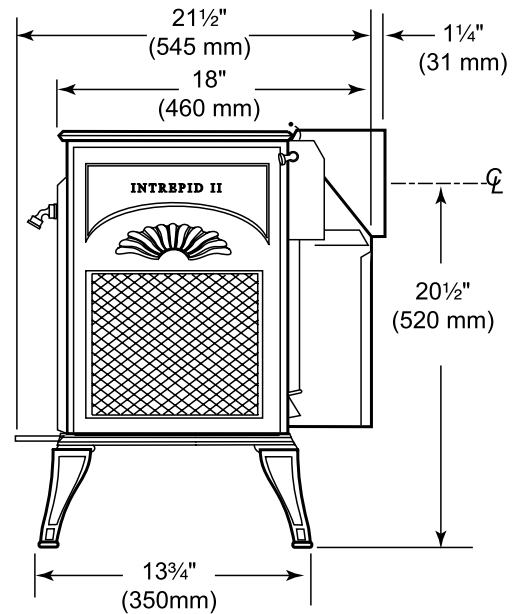
Unit Depth: 21 1/2" (546 mm) (flue collar in top exit position)
 Unit Height: 24" (610 mm)
 Unit Width: 21 1/2" (546 mm)

TECHNICAL INFORMATION

Log Length: up to 16" (406 mm)
 Burn Time: up to 5 hours
 Heating Capacity: up to 1,200 sq. ft. (112 m²)
 Maximum Heat Output: 36,000 BTUs/hr.
 Efficiency Rating: 85%
 EPA Emissions Rating: 2.1 grams/hr.
 Weight: 223 lbs. (101 kg)
 Flue Collar: 6" round, reversible
 Firebox Volume: 1.3 cubic foot (.04 m³)
 Clearances (with optional heat shields)
 Back: 16" (406 mm) (measured to back of stove top)
 Corner: 12" (305 mm)
 Side: 24" (610 mm)

FIELD INSTALLED ACCESSORIES

- Spark screen for open door fire viewing
- Available in Classic Black, Biscuit, Majolica Brown, Ebony Black and Bordeaux
- Matching enamel pipe in four standard colors
- Clearance reducing rear heat shield
- Handy warming shelves with mitten racks
- Outside air adaptor
- Stove surface thermometer
- Height-reducing short legs - 3 1/8" (79 mm)



A Brand of Monessen Hearth Systems Co.
 149 Cleveland Drive, Paris, Kentucky 40361
www.vermontcastings.com

SEE BACK FOR MORE INFORMATION

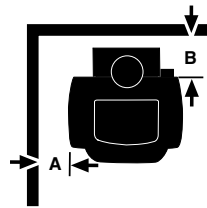
PRODUCT SPECIFICATIONS INTREPID II CATALYTIC WOOD STOVE

(CONTINUED)

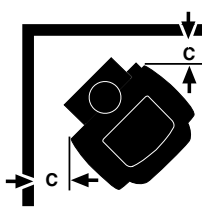


STOVE CLEARANCES

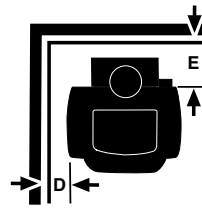
	UNPROTECTED SURFACE			PROTECTED SURFACE		
	PARALLEL INSTALLATION Side (A)	Rear (B)	CORNER INSTALLATION Corner (C)	PARALLEL INSTALLATION Side (D)	Rear (E)	CORNER INSTALLATION Corner (F)
No heat shields	24" (610 mm)	30" (762 mm)	20" (508 mm)	12" (305 mm)	16" (406 mm)	10" (254 mm)
Top exit, rear heat shield, single wall pipe w/connector shields ^{1,2}	24" (610 mm)	16" (406 mm)	12" (305 mm)	12" (305 mm)	9" (229 mm)	10" (254 mm)
Rear exit, rear heat shield only ³	24" (610 mm)	14" (356 mm)	N/A	12" (305 mm)	9" (229 mm)	N/A
Top exit, rear heat shield, double wall pipe ⁴	24" (610 mm)	16" (406 mm)	12" (305 mm)	N/A	N/A	N/A



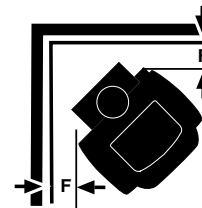
Stove installed parallel to wall



Stove installed corner



Stove installed parallel to wall



Stove installed corner

¹Shielding for a top exit stove must include the stove rear heat shield insert to protect the area behind the flue collar.

²Chimney connector heat shields, in an installation that goes through a combustible ceiling, must extend to 1" (25 mm) below the ceiling heat shield, which is 22" (559 mm) in diameter. The ceiling heat shield should be 24 gauge or heavier sheet metal, centered on the chimney connector, and mounted on noncombustible spacers.

³Rear exit – horizontal from the flue collar directly back through the wall.

⁴In top exit installations, this clearance requires the use of the rear heat shield with the shield insert installed.



To avoid personal injury or property damage, the product described by this brochure must be installed, operated and maintained in strict compliance with the instructions packaged with the product and all applicable building or fire codes. Contact local building or fire officials about restrictions and installation inspection requirements. All photographs and drawings on this brochure are for illustrative purposes only and are not intended for, nor should they be used as a substitute for the instructions packaged with the unit. Appearance and specifications of the product are subject to change without notice. © 2011 Monessen Hearth Systems Co.