

NICOLLET

Model: #NCL-195

DIRECT VENT GAS FIREPLACE



IMPORTANT: This installation manual is to be used in conjunction with SUPPLEMENTAL INSTALLATION AND HOMEOWNER INFORMATION MANUAL. Read both manuals before installing and operating appliance.

INSTALLER: Leave this manual with the appliance.
CONSUMER: Retain this manual for future reference.

English and French Installation Manuals Available Through Your Local Dealer or Visit Our Website at www.kozyheat.com

This appliance may be installed in an aftermarket permanently located, manufactured home (USA only) or mobile home, where not prohibited by local codes.

This appliance is only for use with the type of gas indicated on the rating plate. This appliance is not convertible for use with other gases, unless a certified kit is used.

WARNING: If the information in these instructions is not followed exactly, a fire or explosion may result causing property damage, personal injury or loss of life.

—Do not store or use gasoline or other flammable vapors and liquids in the vicinity of this or any other appliance.

WHAT TO DO IF YOU SMELL GAS:

- ❑ Do not try to light any appliance.
- ❑ Do not touch any electrical switch: do not use any phone in your building.
- ❑ Immediately call gas supplier from a neighbors phone. Follow the gas supplier instructions.
- ❑ If you cannot reach your gas supplier, call the fire department.

— Installation and service must be performed by a qualified installer, service agency or the gas supplier.



WARNING



**HOT GLASS WILL CAUSE BURNS.
DO NOT TOUCH GLASS UNTIL COOLED.
NEVER ALLOW CHILDREN TO TOUCH GLASS.**



AUG 2012
NCL-195-REV-07

INTRODUCTION

Read this manual before installing or operating this appliance.
Please retain this owner's manual for future reference.

CONGRATULATIONS!

We welcome you as a new owner of a Kozy Heat gas fireplace. Kozy Heat products are designed with superior components and materials and assembled by trained craftsmen who take pride in their work. The burner and valve assembly are 100% test-fired and the complete fireplace is thoroughly inspected before packaging to ensure that you receive a quality product. Our commitment to quality and customer satisfaction have remained the same for over 30 years. We offer a complete line of gas and wood fireplaces, unique cabinets and stylish accessories to compliment any décor. Adding a fireplace is one of the best ways to increase the value of your home and we are proud to offer a network of dealers throughout the country to help make your experience everything you imagine. We pride ourselves in being dedicated to not only function and reliability, but customer safety as well. We offer our continual support and guidance to help you achieve the maximum benefit and enjoyment from your Kozy Heat gas fireplace.

Jim Hussong
President



Dudley Hussong
Board Chairman



Homeowner Reference Information

We recommend that you record the following information about your fireplace.

Model Name: _____ Date purchased/installed: _____

Serial Number: _____ Location on fireplace: _____

Dealership purchased from: _____ Dealer Phone: _____

Notes: _____

TABLE OF CONTENTS

INTRODUCTION	
Introduction and Homeowner Reference Information	1
TABLE OF CONTENTS	
Table of Contents	2
SAFETY INFORMATION	
Safety Information	3
COMMONWEALTH OF MASSACHUSETTS INFORMATION	
Commonwealth of Massachusetts Information	4
SPECIFICATIONS	
Fireplace Dimensions	5
Clearances	5
Additional Components Required	6
Installation Overview	6
Placement Clearance Requirements	6
FRAMING	
Wall Enclosure Rough Opening	7
Vertical Terminations	8
Horizontal Terminations	8
MANTEL REQUIREMENTS	
Mantel Requirements	9
TYPICAL INSTALLATION OPTIONS	
Typical Installation Options	9
GLASS FRAME ASSEMBLY	
Glass Frame Assembly Removal	10
Glass Frame Assembly Installation	10
GAS LINE CONNECTION	
Gas Line Connection	11
VENTING	
Approved Venting	12
Restrictor Installation	12
Elbows	12
Horizontal Vent System Clearances	13
Min. / Max. Horizontal Vent System Information	13
Securing Vent System	13
Horizontal Vent Shield Installation	13
#800-WPT / #800-WPT-2 Wall Pass-thru Installation	14
Exhaust Damper Position (LP Gas Horizontal Vent Configuration)	14

VENTING (cont.)	
Vertical Vent System Clearances	15
Min. / Max. Vertical Vent System Information	15
Horizontal / Vertical Combination Venting	15
Termination Vent Cap Location	16
Vertical Cap Requirements	17
#NCL-LK NICOLLET LIGHT KIT	
#NCL-LK Nicollet Light Kit	18
GLASS MEDIA INSTALLATION	
Glass Media Installation	18
DECORATIVE FRAME INSTALLATION	
Decorative Frame Installation	18
IPI CONTROL BOARD REMOVAL / INSTALLATION	
IPI Control Board Removal	19
IPI Control Board Installation	19
FINALIZING THE INSTALLATION	
Burner Tube Adjustment / Troubleshooting	20
Restrictor Troubleshooting / Installation after Termination Completion	21
MAINTENANCE	
Maintenance	22
WARRANTY	
Warranty	23-24

SAFETY INFORMATION

This fireplace has been tested by PFS Corporation, Cottage Grove, Wisconsin and complies with:

ANSI Z21.88-2009/CSA 2.33-2009, "Standard for Vented Gas Fireplace Heaters"
CAN/CGA 2.17-M91 (R2009), "Gas-Fired for Use at High Altitudes"
CAN/CSA P.4.1-09, "Testing Method for Measuring Annual Efficiency"

This installation must conform with local codes, or in the absence of local codes, with the *National Fuel Gas Code, ANSI Z223.1/NFPA 54*, or the *Natural Gas and Propane Installation Code, CSA B149.1*

- Installation and repair should be done only by a qualified service person. The appliance should be inspected by a qualified service person before use. Annual inspection by a qualified service person is required to maintain warranty. More frequent cleaning may be required due to excessive lint from carpeting, bedding materials, etc. It is imperative that control compartments, burners and circulation air passageways of the appliance be kept clean.
- If this appliance is installed directly on carpeting, tile or other combustible material other than wood flooring, the appliance shall be installed on a metal or wood panel extending the full width and depth of the appliance.
- Children and adults should be alerted to the hazards of high surface temperatures and should stay away to avoid burns or clothing ignition.
- Young children should be carefully supervised when they are in the same room as the appliance. Toddlers, young children and others may be susceptible to accidental contact burns. A physical barrier is recommended if there are at risk individuals in the house. To restrict access to a fireplace or stove, install an adjustable safety gate to keep toddlers, young children and other at risk individuals out of the room and away from hot surfaces.
- Clothing or other flammable material should not be placed on or near the appliance.
- Adequate accessibility clearances for servicing and proper operation must be maintained.
- This appliance must not share or be connected to a chimney flue serving any other appliance.
- Keep area around the appliance clear of combustible materials, gasoline and other flammable vapor and liquids.
- The flow of combustion and ventilation air must not be obstructed.
- Due to high temperatures the appliance should be located out of traffic and away from furniture and draperies.
- The glass front or any part removed for servicing the appliance must be replaced prior to operating the appliance. Work should be done by a qualified service technician.
- Clean glass only when cool and only with non-abrasive cleansers.
- **WARNING: DO NOT OPERATE APPLIANCE WITH THE GLASS/FRAME ASSEMBLY REMOVED, CRACKED OR BROKEN. REPLACEMENT OF THE GLASS SHOULD ONLY BE PERFORMED BY A LICENSED OR QUALIFIED SERVICE PERSON.**
- The glass assembly, Part #TWO-057T, shall only be replaced as a complete unit, as supplied by Hussong Mfg. Co., Inc. DO NOT SUBSTITUTE MATERIALS.
- Do not strike or slam glass assembly.
- Any safety screen or guard removed for servicing the appliance must be replaced prior to operating the appliance.
- Under no circumstances should any solid fuel (wood, coal, paper or cardboard etc.) be used in this appliance.
- Keep burner and control compartment clean.
- Do not use this fireplace if any part has been under water. Immediately call a qualified service technician to inspect this appliance and to replace any part of the control system and any gas control which has been under water.

COMMONWEALTH OF MASSACHUSETTS REQUIREMENTS

NOTE

The following requirements reference various Massachusetts and national codes not contained in this manual.

For all sidewall horizontally vented gas fueled equipment installed in every dwelling, building or structure used in whole or in part for residential purposes, including those owned or operated by the Commonwealth and where the side wall exhaust vent termination is less than (7) feet above finished grade in the area of the venting, including but not limited to decks and porches, the following requirements shall be satisfied:

INSTALLATION OF CARBON MONOXIDE DETECTORS

At time of installation of side wall horizontally vented gas fueled equipment, the installing plumber or gas-fitter shall observe that a hard wired carbon monoxide detector with an alarm and battery back-up is installed on the floor level where the gas equipment is to be installed. In addition, the installing plumber or gas-fitter shall observe that a battery operated or hard wired carbon monoxide detector is installed on each additional level of the dwelling, building or structure served by the side wall horizontal vented gas fueled equipment. It shall be the responsibility of the property owner to secure the services of qualified licensed professionals for the installation of hard wired carbon monoxide detectors.

In the event that the side wall horizontally vented gas fueled equipment is installed in a crawl space or attic, the hard wired carbon monoxide detector with alarm and battery back-up may be installed on the next adjacent floor level.

In the event that the requirements of this subdivision can not be met at the time of completion of installation, the owner shall have a period of thirty (30) days to comply with the above requirements; provided, however, that during said thirty (30) day period, a battery operated carbon monoxide detector with an alarm shall be installed.

APPROVED CARBON MONOXIDE DETECTORS

Each carbon monoxide detector as required in accordance with the above provisions shall comply with NFPA 720 and be ANSI/UL 2034 listed and IAS certified.

SIGNAGE

A metal or plastic identification plate shall be permanently mounted to the exterior of the building at a minimum of eight (8) feet above grade directly in line with the exhaust vent terminal for the horizontally vented gas fueled heating appliance or equipment. The sign shall read, in print no less the one-half inch (1/2) in size, **“GAS VENT DIRECTLY BELOW. KEEP CLEAR OF ALL OBSTRUCTIONS”**.

INSPECTION

The state or local gas inspector of the side wall horizontally vented gas fueled equipment shall not approve the installation unless, upon inspection, the inspector observes carbon monoxide detectors and signage installed in accordance with the provisions of 248 CMR 5.08 (2) (a) 1 through 4.

EXEMPTIONS

The following equipment is exempt from 248 CMR 5.08 (2) (a) 1 through 4: The equipment listed in Chapter 10 entitled “Equipment Not Required To Be Vented” in the most current edition of NFPA 54 as adopted by the Board; and Product Approved side wall horizontally vented gas fueled equipment installed in a room or structure separate from the dwelling, building or structure used in whole or in part for residential purposes.

MANUFACTURER REQUIREMENTS - GAS EQUIPMENT VENTING SYSTEM PROVIDED

When the manufacturer of Product Approved side wall horizontally vented gas equipment provides a venting system design or venting system components with the equipment, the instructions provided by the manufacturer for installation of the equipment and the venting system shall include:

Detailed instructions for the installation of the venting system design or the venting system components; and

A complete parts list for the venting system design or venting system.

MANUFACTURER REQUIREMENTS - GAS EQUIPMENT VENTING SYSTEM NOT PROVIDED

When the manufacturer of Product Approved side wall horizontally vented gas equipment does not provide the parts for venting the flue gases, but identifies “special venting systems”, the following requirements shall be satisfied by the manufacturer:

The referenced “special venting systems” instructions shall be included with the appliance or equipment installation instructions and;

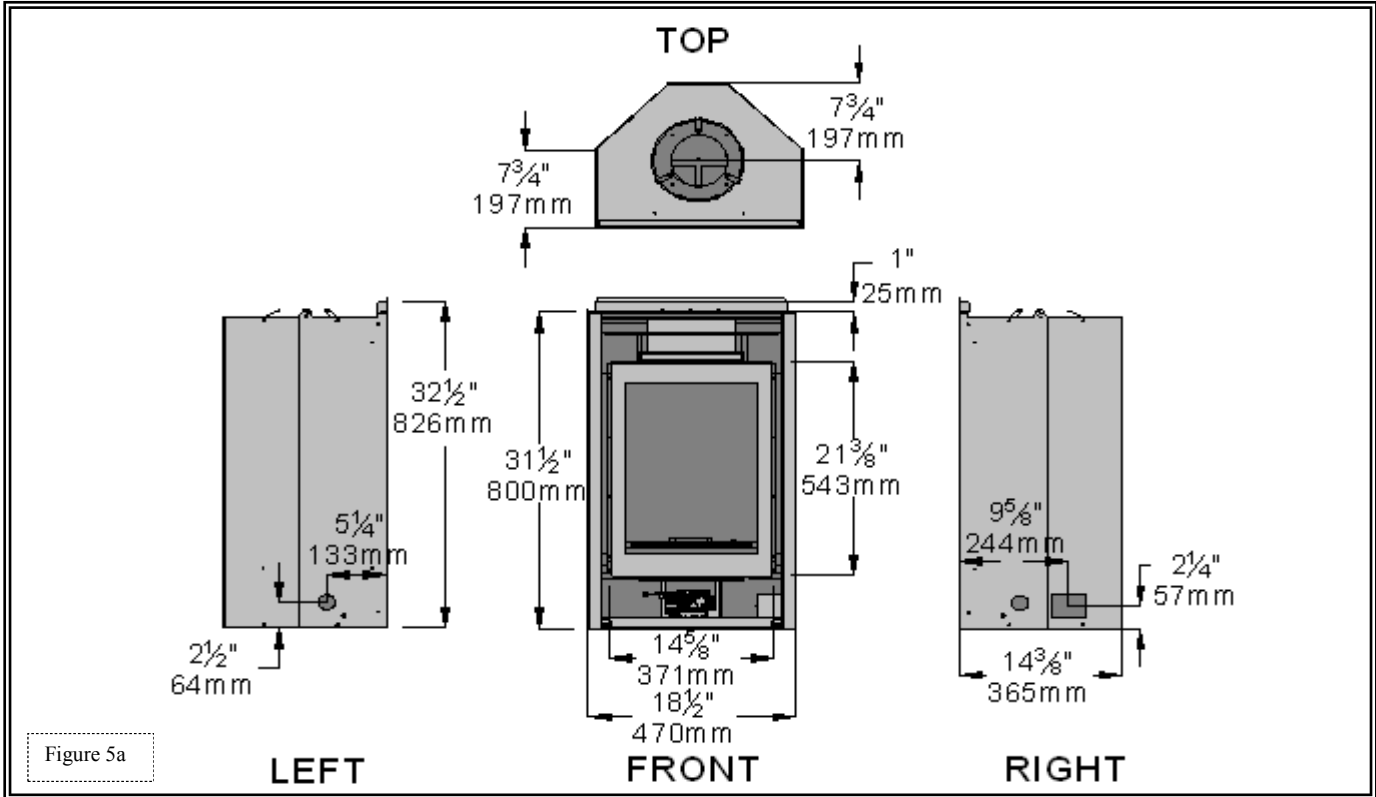
The “special venting systems” shall be Product Approved by the Board, and the instructions for that system shall include a parts list and detailed installation instructions.

A copy of all installation instructions for all Product Approved side wall horizontally vented gas fueled equipment, all venting instructions, all parts lists for venting instructions, and/or all venting design instructions shall remain with the appliance or equipment at the completion of the installation.

SPECIFICATIONS

Nicollet Physical Dimensions

DESCRIPTION	Height	Width	Back Width	Depth	Top Stand-off Height	Side Stand-off Width	Full Door Face Height	Full Door Face Width	Viewing Area Height	Viewing Area Width
INCHES	31-1/2	18-1/2	5-1/4	14-3/8	1	1/2	33-15/16	21	17-1/2	11-7/8
MILLIMETERS	800	470	133	365	25	13	862	533	444	302



CLEARANCES

- From face top - 1" (25mm)
- From unit left & right & back sides* - 1/2" (13mm)
- Unit side stand-offs to adjacent sidewall - 0" (0mm)
- To flooring - 0" (0mm)
- From venting -
 - Horizontal - Top: 3" (76mm)
 - Bottom and sides: 1" (25mm)
 - Vertical - All sides: 1" (25mm)
- Unit base to ceiling - 52" (1.32m)
- Minimum enclosure height - 47" (1.19m)
- Top of unit to 3/4" (20 mm) projection - 2-1/4" (57mm)
- Mantel must be a minimum of 7-1/2" (191mm) from top of fireplace face. The maximum depth at this height is 12" (305mm). See additional mantel clearance configurations on page 9 of this installation manual.

* This unit requires 1/2" (13mm) space between unit and framing at the back and both sides. Framing material may touch sides of stand-offs, but no material is allowed between stand-offs.

SPECIFICATIONS

ADDITIONAL COMPONENTS REQUIRED

- Vent System: Approved venting listed on page 12 of this installation manual.
- Glass Media: Various colors available. See Dealer for details.
- Contemporary Frame: Various finishes available. See Dealer for details.

INSTALLATION OVERVIEW

NOTE

The qualified installer should follow the procedure best suited for the installation.

1. Frame an opening for fireplace, allowing for vent installation and type of installation.
2. If masonry (optional) will be used, prepare foundation for masonry load. A lintel is required to support added weight above fireplace.
3. Insert fireplace into framing.
4. Install hearth (if applicable).
5. Complete gas line installation.
6. Complete electrical hook-up. Install any standard or optional electrical components at this time.
7. Complete venting installation.
8. Secure fireplace to flooring through holes located in outer box bottom and to framing with nailing flanges. Verify all clearances at this point.
9. Install mantel or cabinetry, allowing room for (required) decorative full doors / faces.
10. Install glass media.
11. Install (required) contemporary frame.
12. Verify proper operation of fireplace and all components.

PLACEMENT CLEARANCE REQUIREMENTS

- This fireplace must be installed on a level surface capable of supporting fireplace and venting.
- Fireplace must be placed directly on wood or non-combustible surface (not linoleum or carpet) extending entire depth and width of fireplace.
- Due to high surface temperatures, fireplace should be located out of traffic and away from furniture and draperies.
- This fireplace may be installed in a bedroom.
- Please be aware of the amount of heat this fireplace will produce when determining a location.

FRAMING

WALL ROUGH OPENING

IMPORTANT

Framing dimensions should allow for wall covering thickness and fireplace facing materials.
If using a hearth, adjust rough opening size as necessary to maintain at least minimum clearance requirements.

Non-combustible material may be applied around (but not directly to) fireplace face.

(APPLIES TO BOTH HORIZONTAL AND VERTICAL VENTING TERMINATIONS)

32-5/8" (829mm) High* x 19-3/4" (502mm) Wide x 14-7/8" (378mm) Deep.

* Header must be in the 'up' position to maintain proper clearances from vent system to combustibles.

MINIMUM ENCLOSURE HEIGHT: 47" (1.19m) from base of fireplace.

WARNING

Install fireplace on hard metal or wood surface extending full width and depth of fireplace.
Minimum platform size: 19-3/4" (502mm) wide x 14-7/8" (378mm) deep.

FIRE HAZARD: Do NOT install directly on carpeting, vinyl, or any combustible material other than wood.

IMPORTANT

Header must be positioned 'up' to maintain proper clearances from vent system to combustibles.

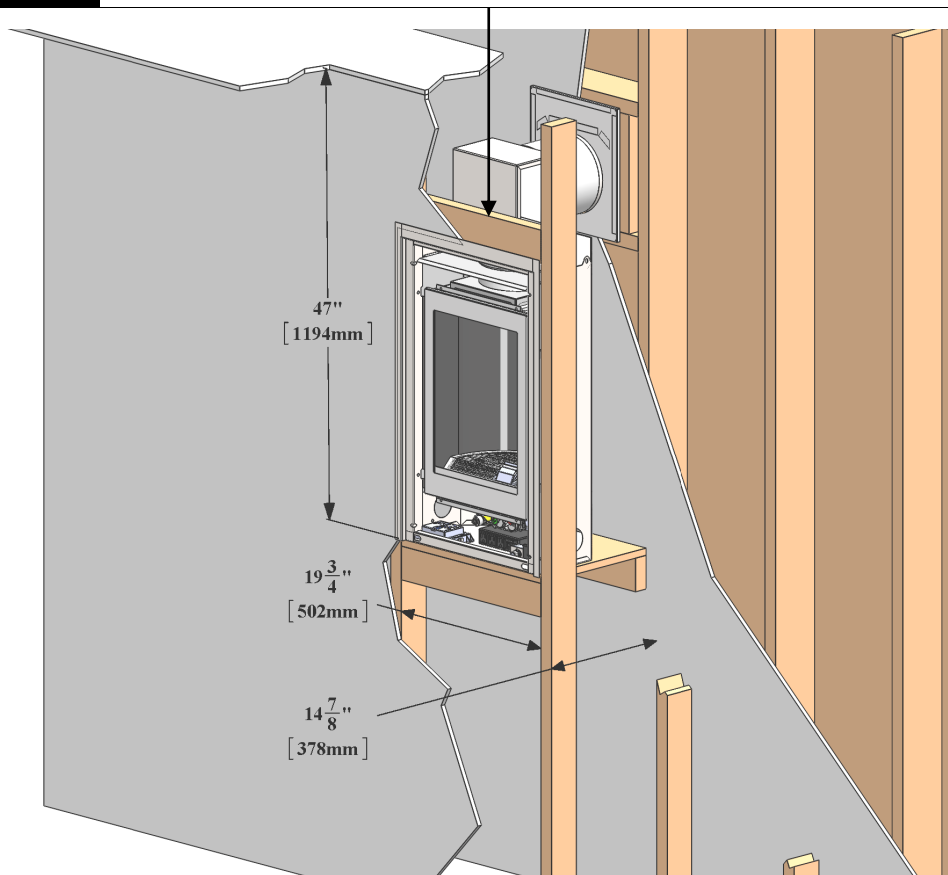


Figure 7a

Determine exact position of fireplace, including hearth height, width, and depth, (if applicable). If possible, place fireplace in such a manner that vent termination will be placed between two studs, eliminating the need for additional framing.

If masonry is to be used (optional), prepare necessary foundation for the masonry load. When masonry construction is being used, a lintel must be used over top of fireplace to support the added weight.

Build hearth to desired size and height. If a hearth extension is desired, combustible material may be used. If carpeting or other combustible flooring is desired in front of fireplace, fireplace bottom must level or above flooring material level.

FRAMING

IMPORTANT Vent cap location must be in compliance with guidelines on page 16 of this manual.

VERTICAL TERMINATIONS

Follow vent pipe manufacturer's installation instructions for vertical terminations. A minimum 1" (25mm) clearance on all sides of vertical vent pipe must be maintained.

HORIZONTAL TERMINATIONS

Follow vent pipe manufacturer's installation instructions for horizontal terminations. Include required 3" (76mm) top clearance (at wall pass-thru) and 1" (25mm) sides and bottom clearances for approved rigid vent systems.

IMPORTANT KOZY HEAT WALL THIMBLE PASS-THRU (#800-WPT or #800-WPT2) MUST BE USED ON ALL HORIZONTAL VENT RUNS. FOLLOW INSTRUCTIONS ON PAGE 14 OF THIS INSTALLATION MANUAL.

THE HORIZONTAL VENT HEAT SHIELD INCLUDED WITH THIS FIREPLACE MUST BE INSTALLED WHEN USING A 90-DEGREE ELBOW DIRECTLY OFF TOP OF UNIT TO HORIZONTALLY POSITION VENT SYSTEM.

CAUTION Cold air transfer area. The surrounding fireplace chase must comply with all clearances as outlined in this manual and be constructed in compliance with local building codes. Outside walls should be insulated to prevent cold air from entering room.

CAUTION Due to high temperatures, this fireplace should be located out of traffic areas and away from furniture and draperies.

MINIMUM HORIZONTAL FRAMING DIMENSIONS

	VENT PIPE TOP (A)	FRAMED OPENING TOP (B)	TERMINATION WIDTH (W)	TERMINATION HEIGHT (H)
RIGID PIPE	41-1/4" (1048mm)	44-1/4" (1124mm)	10-7/8" (276mm)	12-1/2" (318mm)

IMPORTANT Header must be positioned 'up' to maintain proper clearances from vent system to combustibles.

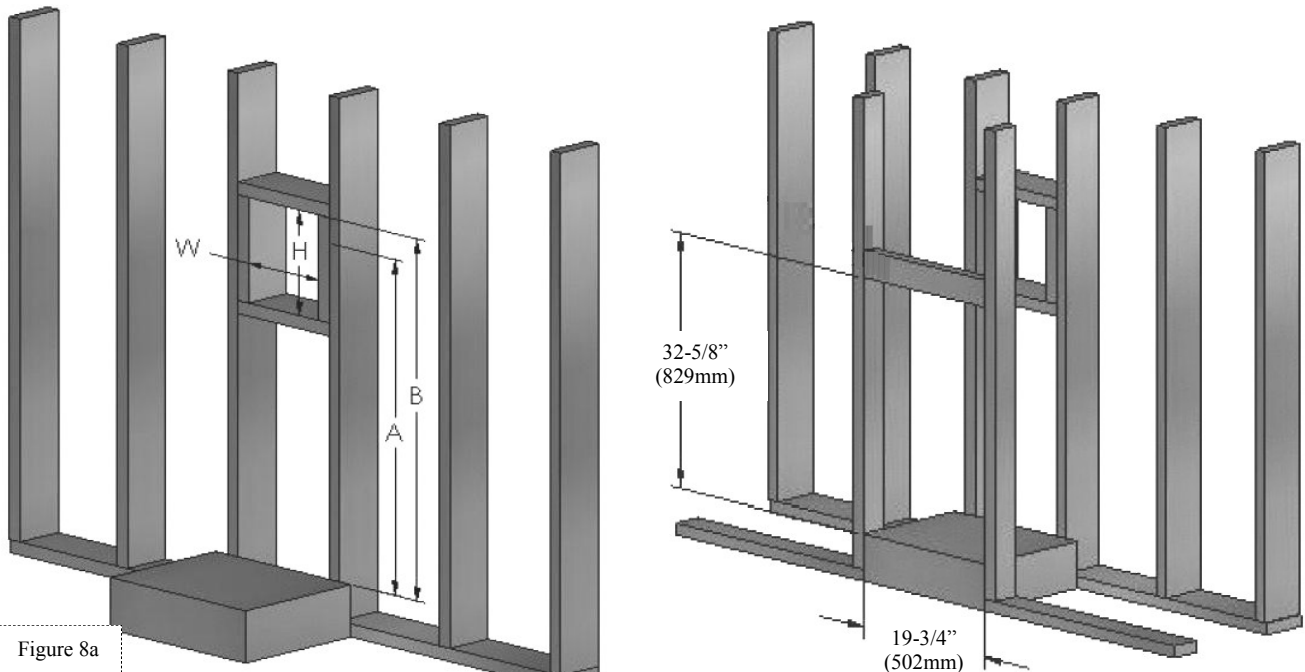


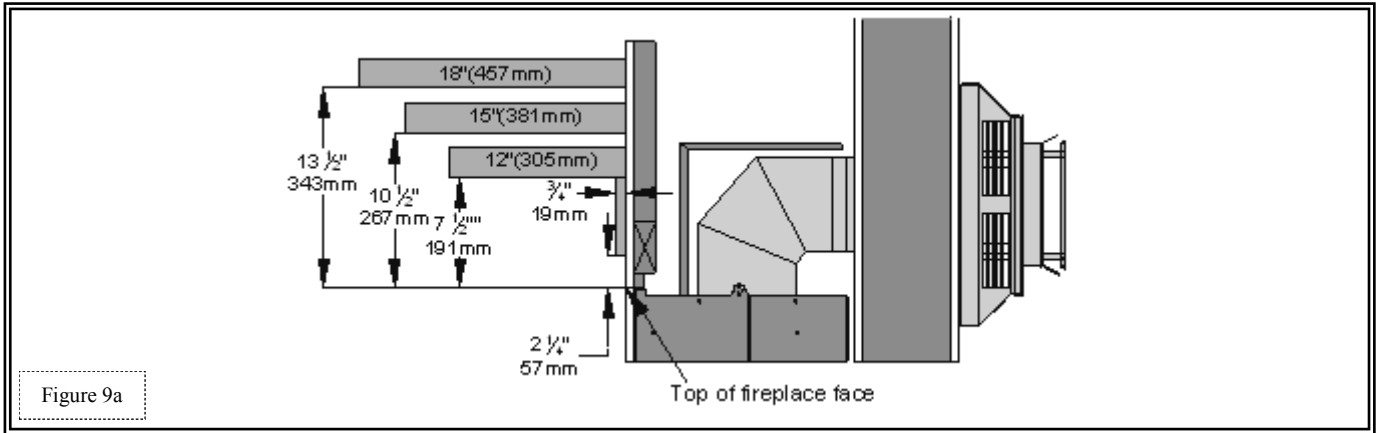
Figure 8a

MANTEL REQUIREMENTS

IMPORTANT

KOZY HEAT WALL THIMBLE PASS-THRU (#800-WPT or #800-WPT2) MUST BE USED ON ALL HORIZONTAL VENT RUNS. FOLLOW INSTRUCTIONS ON PAGE 14 OF THIS INSTALLATION MANUAL.

THE HORIZONTAL VENT HEAT SHIELD INCLUDED WITH THIS FIREPLACE MUST BE INSTALLED WHEN USING A 90-DEGREE ELBOW DIRECTLY OFF TOP OF UNIT TO HORIZONTALLY POSITION VENT SYSTEM.

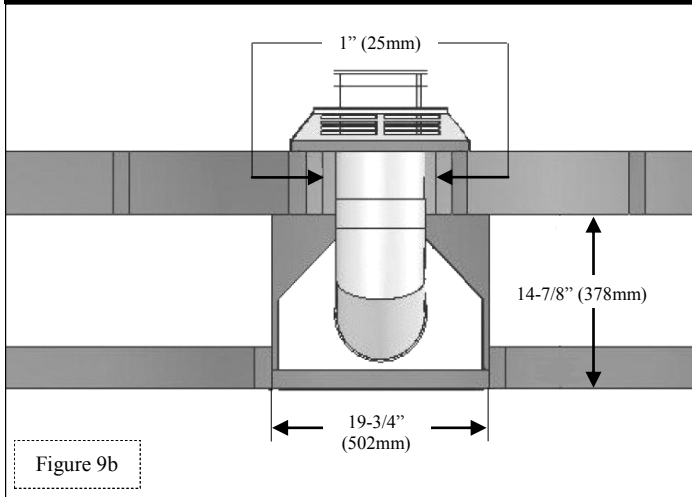


TYPICAL INSTALLATION OPTIONS

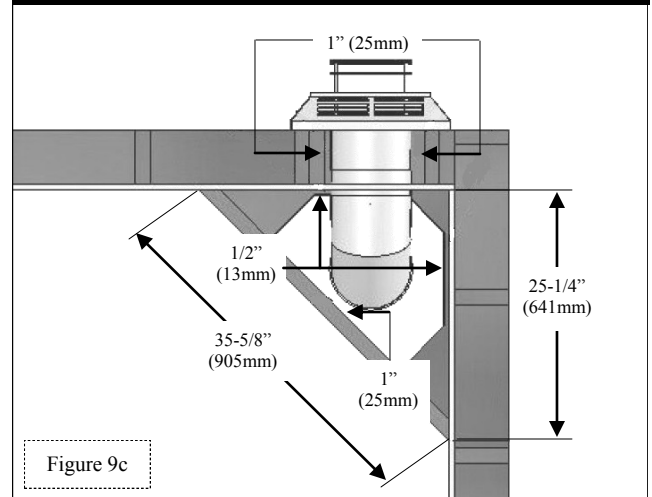
NOTE

Horizontal vent heat shield not shown in horizontal configurations for clarity purposes only.

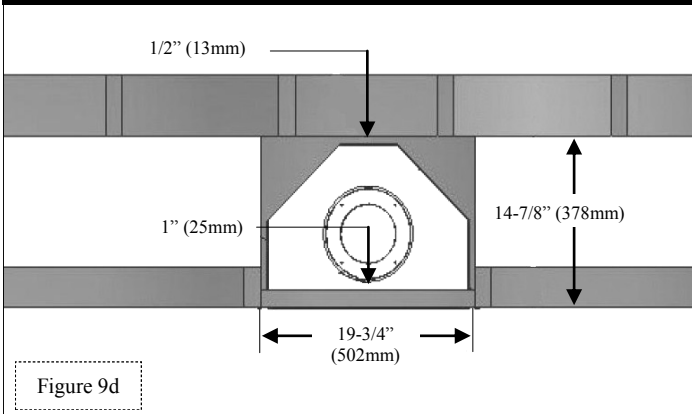
TYPICAL HORIZONTAL INSTALLATION



TYPICAL CORNER INSTALLATION



TYPICAL VERTICAL INSTALLATION



GLASS FRAME ASSEMBLY

CAUTION

TO PREVENT GLASS FRAME ASSEMBLY FROM FALLING FROM FIREPLACE AND BECOMING DAMAGED, FOLLOW THESE INSTRUCTIONS EXACTLY WHEN REMOVING AND INSTALLING GLASS FRAME ASSEMBLY.

REMOVE GLASS FRAME ASSEMBLY

- A. Locate spring-loaded latches securing glass frame assembly at top & bottom of firebox.
- B. Pull bottom latch out and down to release glass frame assembly bottom.
- C. Pull top latch out and up to release glass frame assembly top.
- D. Remove glass frame assembly from fireplace.

INSTALL GLASS FRAME ASSEMBLY

- A. Place glass frame assembly onto fireplace front.
- B. Pull top latch out and down to secure glass frame assembly top.
- C. Pull bottom latch out and up to secure glass frame assembly bottom.

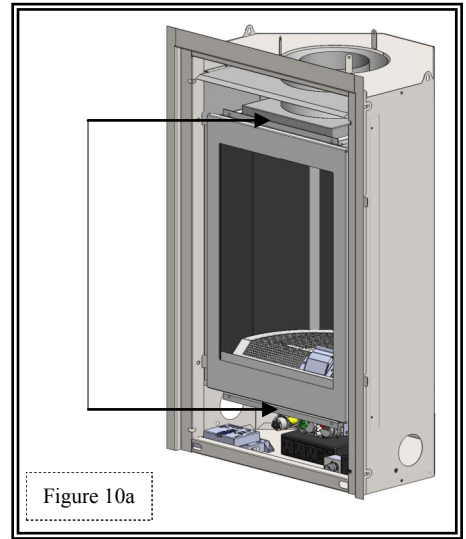


Figure 10a

GAS LINE CONNECTION

GAS CONVERSION

This fireplace is manufactured for use with Natural Gas. Follow instructions included with conversion kit if converting to LP gas. (Sold separately).

ATTENTION

PLEASE REFER TO SUPPLEMENTAL MANUAL FOR INFORMATION REGARDING PROPER MANIFOLD PRESSURE READINGS FOR YOUR PARTICULAR FIREPLACE MODEL.

ATTENTION

The conversion shall be carried out in accordance with the requirements of the provincial authorities having jurisdiction and in accordance with the requirements of the ANSI Z223.1 installation code.

CAUTION

Installation of the gas line must only be done by a qualified person in accordance with local building codes, if any. If not, follow ANSI 223.1.

Commonwealth of Massachusetts: Installation must be done by a licensed plumber of gas fitter.

NOTE

A listed (and Commonwealth of Massachusetts approved) 1/2" (13mm) T-handle manual shut-off valve and flexible gas connector (included) are connected to the 1/2" (13mm) control valve inlet. If substituting for these components, please consult local codes for compliance.

This fireplace is equipped with a 3/8" (10mm) x 18" (457mm) long flexible gas connector and manual shut-off valve. The gas line should be run to the point of connection where the shut-off valve and flexible gas line will connect.

The appliance and its individual shutoff valve must be disconnected from the gas supply piping system during any pressure testing of that system at pressures in excess of ½ psi (3.5 kPa).

The appliance must be isolated from the gas supply piping system by closing its individual manual shut-off valve during any pressure testing of the gas line at test pressures equal to or less than ½ psi (3.5 kPa).

For high altitude installations, consult the local gas distributor or the authority having jurisdiction for proper rating methods.

IMPORTANT

The efficiency rating of this appliance is a product of thermal efficiency rating determined under continuous operating conditions and was determined independently of any installed system.

	<u>NATURAL GAS</u>	<u>LP GAS</u>
MINIMUM INLET GAS PRESSURE	5" WC (1.25 kPa) (7" WC (1.74 kPa) (recommended)	11" WC (2.74 kPa) (recommended)
MAXIMUM INLET GAS PRESSURE	10.5" WC (2.62 kPa)	13" WC (3.24 kPa)

VENTING

IMPORTANT

Consult the local and national installation codes to assure adequate combustion and ventilation air is available.

Flame height and appearance will vary depending upon venting configuration and type of fuel used. Venting requirements apply to both Natural and LP gas.

CAUTION

This gas appliance must not be connected to or joined with any other chimney flue serving another appliance.

Refer to vent systems manufacturer's installation manual for complete installation instructions. Installation must conform with venting requirements and restrictions as outlined in this manual.

APPROVED VENTING

Simpson Dura-Vent DV-GS 5" x 8" direct vent system (horizontal and vertical terminations).

Ameri-Vent Direct Chimney System 5" x 8" (horizontal and vertical terminations).

Selkirk Model DT Direct Vent Chimney System 5" x 8" (horizontal and vertical terminations).

Metal Fab Direct Vent Chimney System: 5" x 8" (horizontal and vertical terminations).

ICC EXCELDirect Chimney System: 5" x 8" (horizontal and vertical terminations).

RLH Chimney System: 5" x 8" (horizontal and vertical terminations).

Security Chimney System: 5" x 8" (horizontal and vertical terminations).

This fireplace is designed to be used with rigid pipe only.

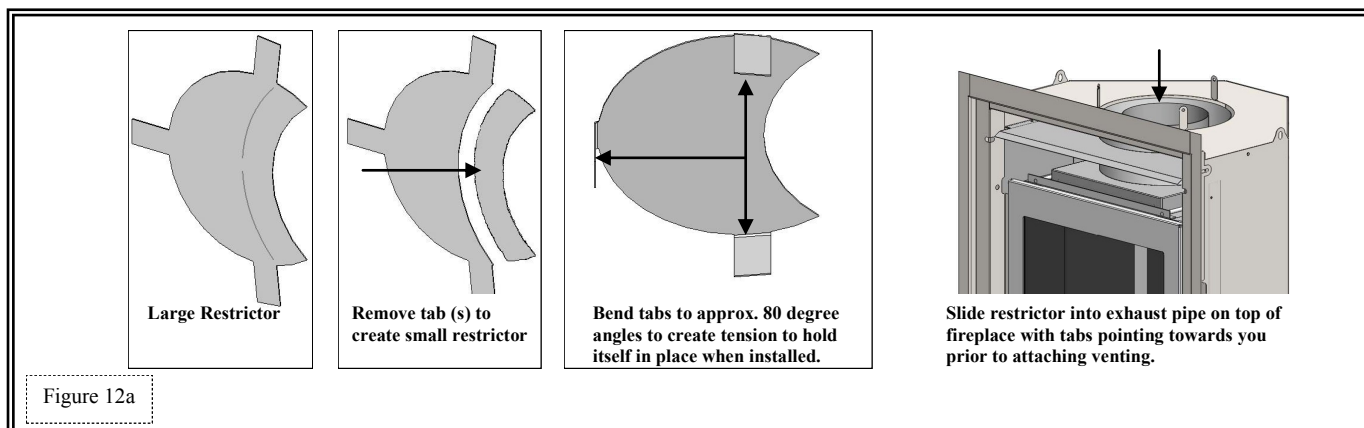
RESTRICTOR

A restrictor is included in fireplace components packet.

Each installation is unique and affected by various factors including venting configuration, altitude and climate. Therefore, after fireplace installation is complete a restrictor may be required or may need to be removed or modified.

Page 21 has information on restrictor recommendations depending on burner flame appearance and instructions on installation after venting is completed.

TO BE USED AT INSTALLER DISCRETION.



ELBOWS

NOTE

(2) 90° elbows may be used within the maximum horizontal and vertical vent runs.
(2) 45° degree elbows may be used in place of (1) 90° elbow.

For each additional 90° elbow used after first (2) elbows, 3ft. (914mm) must be subtracted from maximum allowed venting. For each 45° elbow used, 1-1/2ft. (457mm) must be subtracted from maximum venting allowed.

IMPORTANT

The horizontal vent heat shield must be installed when using a 90-degree elbow to horizontally position the vent system.

VENTING

HORIZONTAL TERMINATIONS

HORIZONTAL VENT SYSTEM CLEARANCES

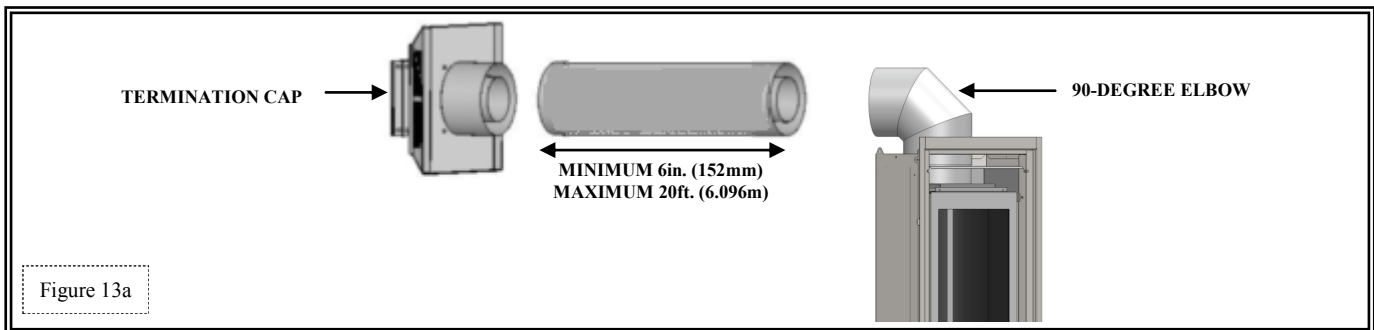
TOP	BOTTOM	SIDES
3 inches (76mm) at wall pass thru	1 inch (25mm)	1 inch (25mm)

MINIMUM: 90° elbow + termination cap.

MAXIMUM: 90° elbow + 20ft. (6.096m) horizontal + termination cap.

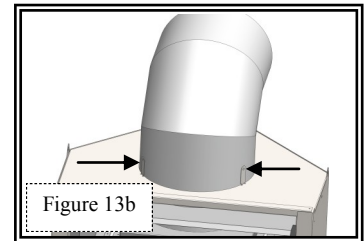
IMPORTANT KOZY HEAT WALL THIMBLE PASS-THRU (#800-WPT or #800-WPT2) MUST BE USED ON ALL HORIZONTAL VENT RUNS.

NOTE Horizontal sections require 1/4" (6mm) rise for every 12" (305mm) of travel.



SECURING VENT SYSTEM

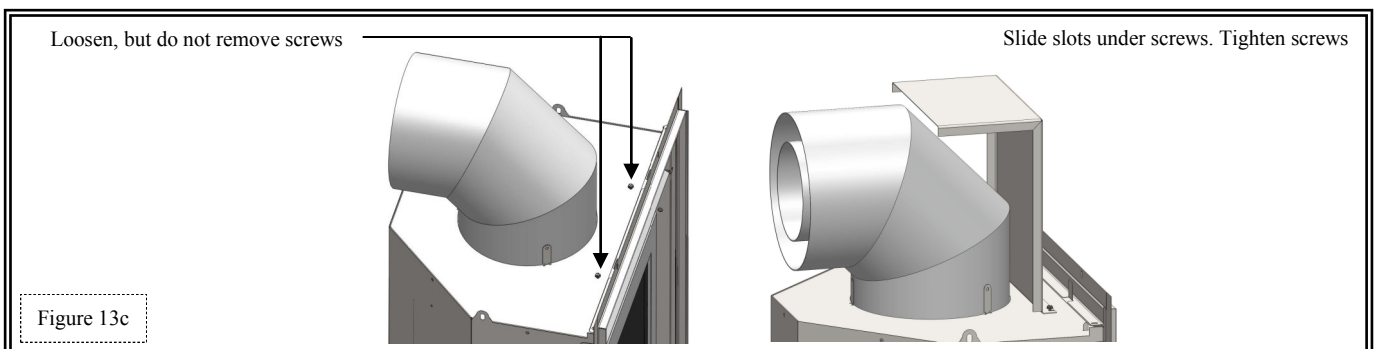
1. Bend (3) tabs on fireplace top up.
2. Install first vent pipe section.
3. Secure vent pipe section to fireplace through tabs with (3) screws.



HORIZONTAL VENT HEAT SHIELD INSTALLATION

IMPORTANT The horizontal vent heat shield must be installed when using a 90-degree elbow to horizontally position the vent system.

1. Install 90-degree elbow per manufacturer's installation instructions.
2. Loosen, but do not remove (2) screws at top of fireplace.
3. Slide (2) slots on horizontal vent heat shield under screws. Re-tighten screws to secure in place.



VENTING

#800-WPT WALL PASS-THRU

IMPORTANT

#800-WPT or #800-WPT2 Wall Pass-Thru must be used on all horizontal vent terminations. This includes both interior and exterior walls. Follow instructions below.

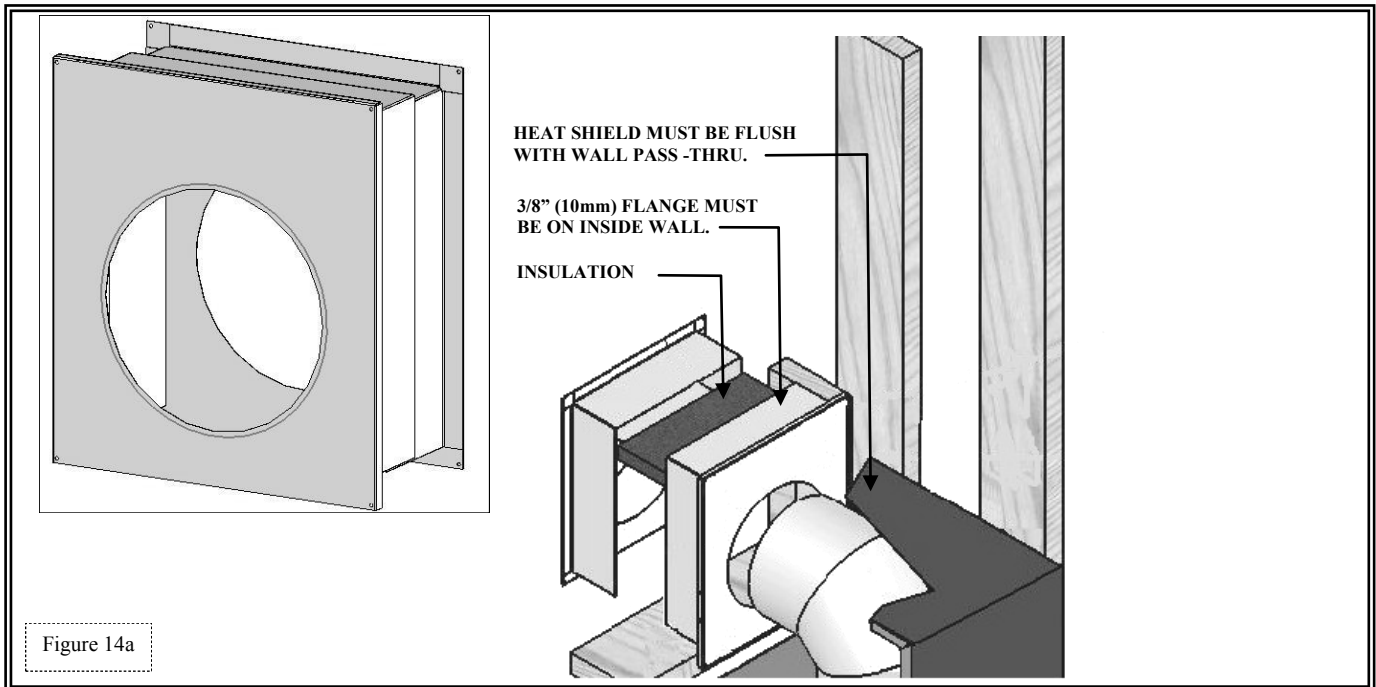
FRAMING DIMENSIONS FOR #800-WPT KOZY HEAT WALL PASS-THRU

12-1/2" (318mm) HIGH x 10-7/8" (276mm) WIDE

WARNING

MAINTAIN ALL CLEARANCES AS STATED IN THIS INSTALLATION MANUAL.

- Measure wall thickness; cut insulation panel (included) this length.
- Install wall pass-thru section marked #1 (3/8" (10mm) flange) into framed opening. Secure to interior wall with screws (not provided).
- From the exterior, place insulation between flange and top of framed opening in wall pass-thru section #1.
- Install section marked #2 of wall pass-thru into framed opening, overlapping metal sections as necessary to accommodate wall thickness. Secure to exterior wall with screws (not provided).



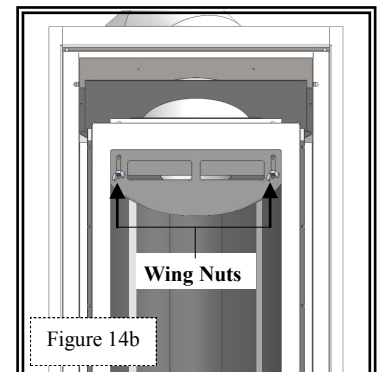
EXHAUST DAMPER POSITION (LP GAS HORIZONTAL VENT CONFIGURATION)

This fireplace is shipped with exhaust damper in the closed (approx. 1/2" (13mm) open) position.

If using LP gas and incorporating a horizontal vent configuration, the exhaust damper may need to be adjusted to a more open position.

Open damper far enough to prevent flame from burning dirty, which results in soot accumulation on glass.

TO ADJUST: Loosen wing nuts securing damper. Slide damper toward front of fireplace. Retighten wing nuts to secure position.



VENTING

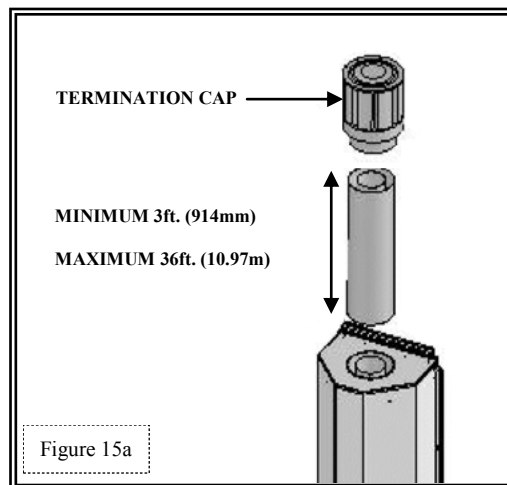
VERTICAL TERMINATIONS

VERTICAL VENT SYSTEM CLEARANCES

	SIDES
ALL APPROVED VERTICAL PIPE	1 inch (25mm)

MINIMUM VERTICAL RISE: 3ft. (914mm) vertical + termination cap.

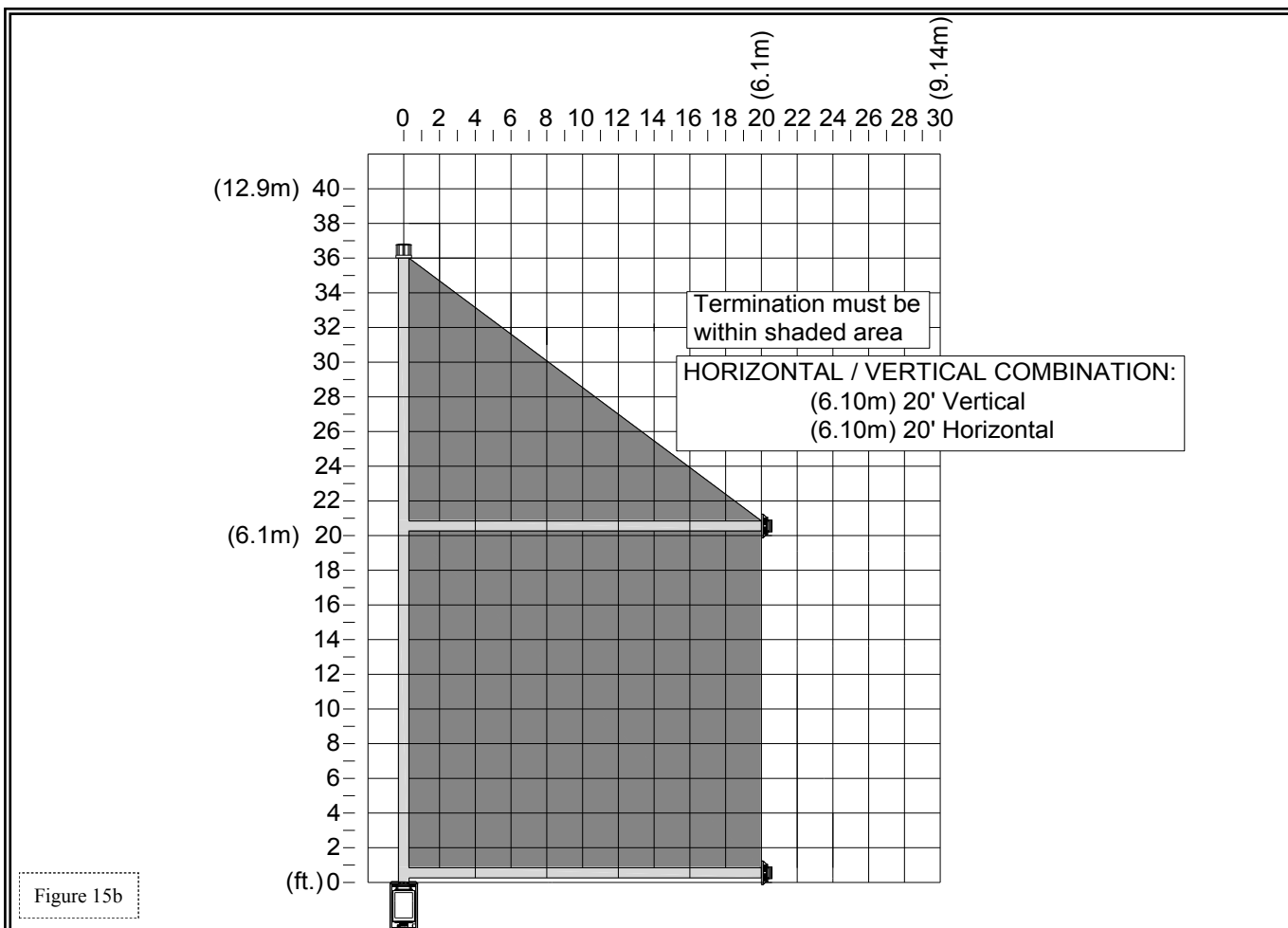
MAXIMUM VERTICAL RISE: 36ft. (10.97m) vertical + termination cap.



HORIZONTAL & VERTICAL COMBINATION

IMPORTANT KOZY HEAT WALL THIMBLE PASS-THRU (#800-WPT or #800-WPT2) MUST BE USED ON ALL HORIZONTAL VENT RUNS.

NOTE Horizontal sections require 1/4" (6mm) rise for every 12" (305mm) of travel.



TERMINATION VENT CAP LOCATION

This gas appliance must not be connected to a chimney serving any other appliance.

1. Terminations against vinyl siding must use a vinyl siding protector. Follow instructions included.
2. DO NOT RECESS TERMINATION KIT INTO OUTSIDE BUILDING MATERIALS - i.e.: brick, stone, siding, etc. If necessary, extend framing so that termination kit will be exposed once building materials are installed.
3. Vent termination must not be located where it will become plugged by snow or other material. The flow of combustion and ventilation air must be not obstructed.

LOCATION CLEARANCES

- A. Above grade, veranda, porch, deck, balcony - 12" (305mm).
- B. Operable window or door - CANADA: 12" (305mm). US: 9" (229mm).
- C. Permanently closed window* - 12" (305mm) (Recommended to prevent condensation on window).
- D. Ventilated soffit* ** - 18" (457mm).
- E. Unventilated soffit* **- 11" (279mm).
- F. Outside corner* - 0" (0mm).
- G. Inside corner* - 1" (25mm).
- H. Meter / Regulator: CANADA: Not to be installed above a gas meter/regulator assembly within 3ft. (914 mm) horizontally from the centerline of the regulator within a height of 15ft. (4.57m). US*.
- I. Gas Service regulator vent outlet - CANADA 3ft. (914mm). US*.
- J. Non-mechanical air supply inlet to building or the combustion air inlet to any other appliance. CANADA: 12" (305mm). US: 9" (229mm).
- K. Mechanical air supply inlet. CANADA: 6ft. (1.83m) US: 3ft. (914mm) above if within 10ft. (3.05m) horizontally. Massachusetts installations: 10ft. (3.05m).
- L. Above paved side-walk or paved driveway located on public property - 7ft. (2.13m).

NOTE

A vent cannot be located directly above a side-walk or paved driveway that is located between two single family dwellings and serves both dwellings.

- M. Under veranda, porch, deck, or balcony (must be fully opened on a minimum of 2 sides)** - 12" (305mm).
- N. Between two horizontal terminations - 12" (305mm).
- O. Between two vertical terminations - 12" (305mm). Terminations may be same height.
- P. Above furnace exhaust or inlet - 12" (305mm).

*Clearance must be in accordance with local installation codes & the requirements of the gas supplier.

**VINYL SOFFIT / VINYL CEILING / VINYL OVERHANG DISCLAIMER

Clearances to heat resistant material (i.e. wood, metal). This does not include vinyl. Hussong Manufacturing Co., Inc. will not be held responsible for heat damage caused from terminating under vinyl overhangs, vinyl ceilings or vinyl ventilated/unventilated soffits.

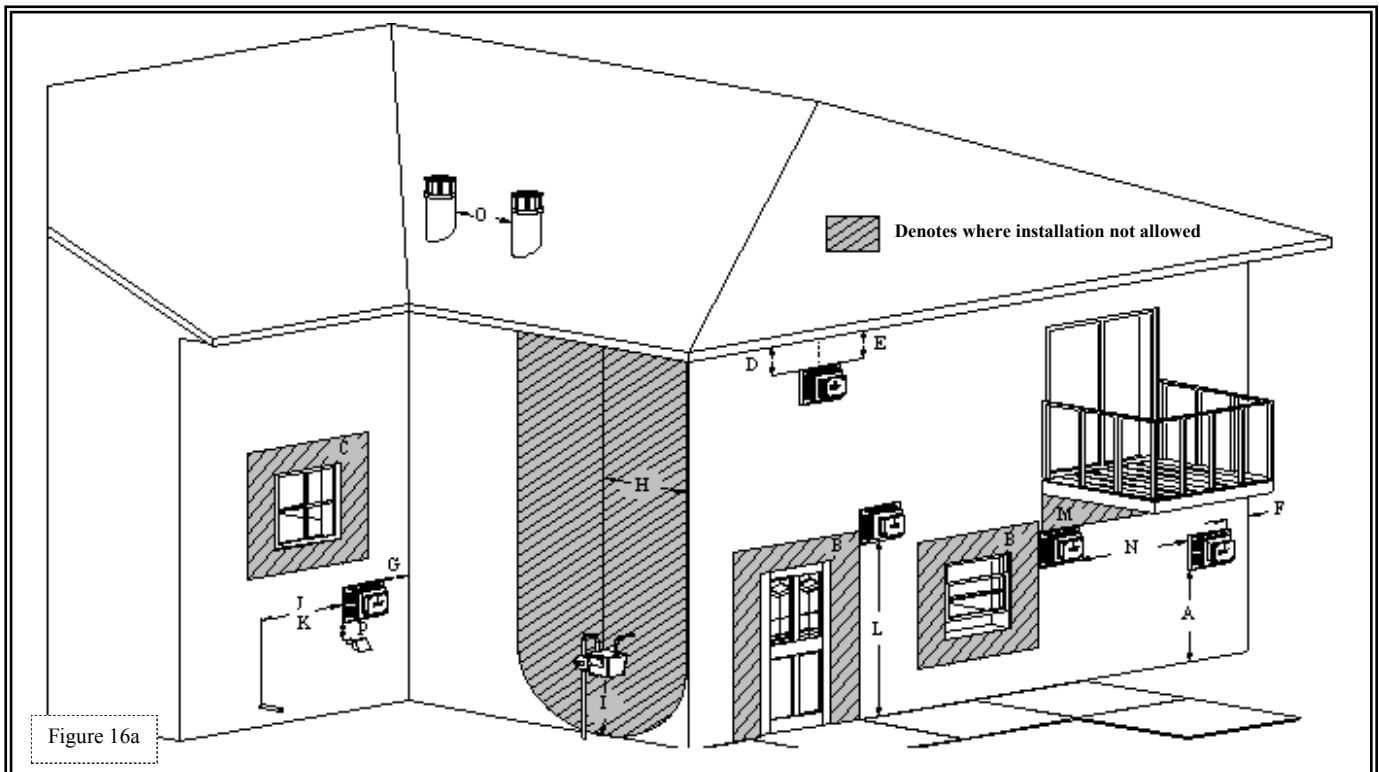


Figure 16a

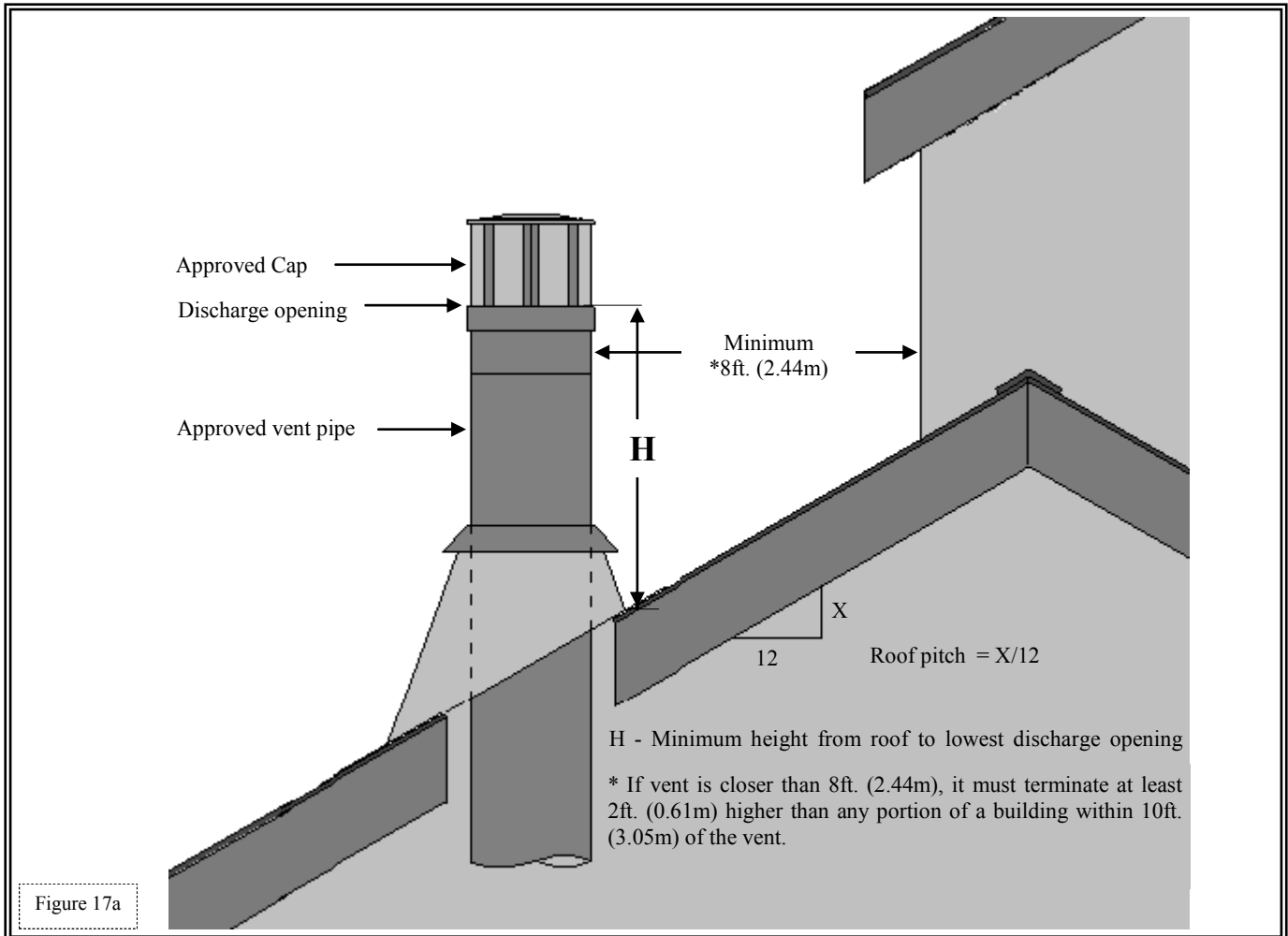
VENTING (Vertical Cap Requirements)

VENT TERMINATION CLEARANCES

Roof Pitch	H (Min.) Ft.	H (Min.) m
Flat to 6/12	1.0	0.30
Over 6/12 to 7/12	1.25	0.38
Over 7/12 to 8/12	1.5	0.46
Over 8/12 to 9/12	2.0	0.61
Over 9/12 to 10/12	2.5	0.76
Over 10/12 to 11/12	3.25	0.99
Over 11/12 to 12/12	4.0	1.22
Over 12/12 to 14/12	5.0	1.52
Over 14/12 to 16/12	6.0	1.83
Over 16/12 to 18/12	7.0	2.13
Over 18/12 to 20/12	7.5	2.27
Over 20/12 to 21/12	8.0	2.44

CAUTION

This appliance must not be connected to or joined with any chimney flue serving any other appliance.



#NCL-LK NICOLLET LIGHT KIT

ATTENTION

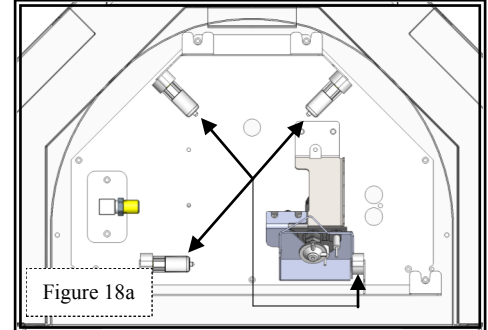
If converting to LP (propane) gas, do so now before installing light kit components. Follow instructions included with conversion kit.

CAUTION

Disconnect all electrical power from fireplace before performing this task.

To avoid damage and prolong the life of halogen bulbs, never touch with bare hands. Always use a soft cloth when handling.

1. Remove screw securing burner at back wall of firebox. Lift right side of burner up to release from burner orifice. Remove burner from firebox.
2. Install (4) halogen bulbs. (Included in components packet).
3. Reinstall burner assembly, making sure venturi is positioned around burner orifice. Secure burner to back wall with screw previously removed.



GLASS MEDIA INSTALLATION (purchased separately)

WARNING

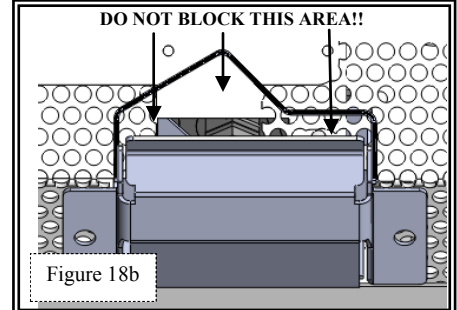
USE **ONLY** #104 SERIES GLASS MEDIA (4 lbs. / 1.8 kg) IN THIS FIREPLACE.

DO NOT SUBSTITUTE MATERIALS OR USE MORE THAN SPECIFIED.

DO NOT BLOCK PILOT ASSEMBLY WITH GLASS MEDIA!! A BLOCK PILOT MAY CAUSE DELAYED IGNITION!!

GLASS MEDIA MUST BE NO MORE THAN ONE LAYER DEEP ACROSS ENTIRE BURNER / SCREEN AREA TO AVOID POSSIBLE DELAYED IGNITION AND/OR SOOTING ISSUES.

Install glass media one layer deep onto burner tray, being careful not to block pilot assembly. Save any unused media for future use.



CONTEMPORARY FRAME INSTALLATION (purchased separately)

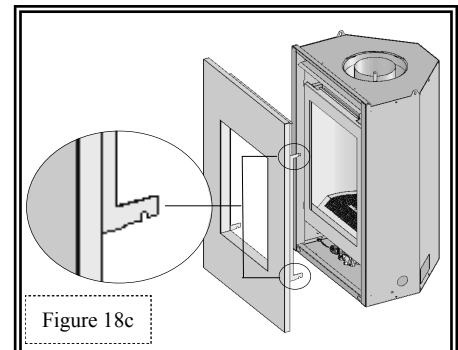
ATTENTION

Do not operate this fireplace without face frame installed. Various finishes available. See Dealer for details.

NOTE

Contemporary frame must have 1/4" (6mm) clearance on top for removal from fireplace.

Align hooks in contemporary frame to corresponding slots in fireplace. Insert hooks into slots required depth needed to accommodate facing material (up to 1/2" (13mm) thick).



CONTROL BOARD REMOVAL / INSTALLATION

CAUTION

If fireplace has been burning, use appropriate protection to avoid burns or damage to personal property before removing any components.

CONTROL BOARD REMOVAL

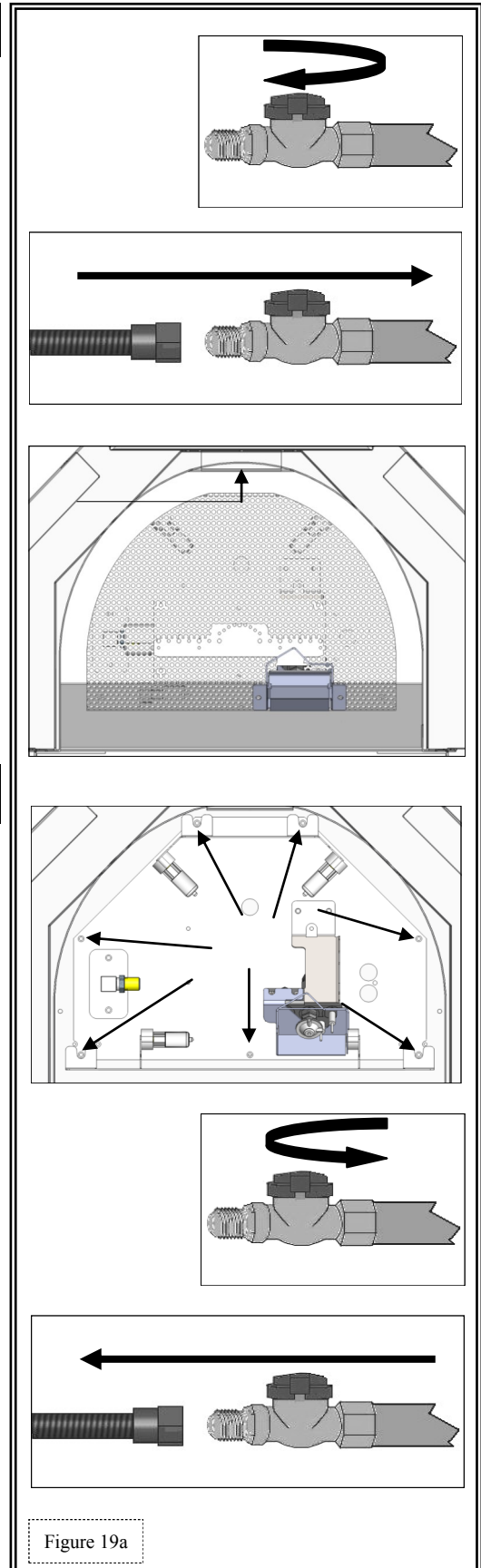
1. Use remote to turn fireplace OFF.
2. Remove contemporary frame.
3. Shut off gas supply at manual shut-off valve.
4. Disconnect gas line flex tube from manual shut-off valve.
5. Unplug all components from electrical outlet, disconnect all wiring harnesses attached to gas valve.
6. Remove glass frame assembly.
7. Remove glass media.
8. Remove screw securing burner assembly to back wall of firebox. Remove burner assembly by lifting up and to the right, releasing venturi from burner orifice.
9. Remove halogen bulbs.
10. Remove (7) screws securing control board to firebox bottom. Lift control board up and out of firebox being careful not to damage sealing gasket lying underneath.

CONTROL BOARD INSTALLATION

IMPORTANT

Make sure sealing gasket is in place under control board before securing. If gasket is damaged, it must be replaced.

1. Place control board into firebox opening, aligning holes in board to holes in firebox bottom. Secure with screws previously removed.
2. Re-install halogen bulbs.
3. Reinstall burner assembly, verifying burner venturi is properly positioned over burner orifice. Secure to firebox back wall with previously removed screw.
4. Reinstall glass media.
5. Reconnect all wiring harnesses to gas valve. Plug all components into electrical outlet.
6. Reconnect gas line to manual shut-off valve. Turn valve to ON.
7. Check all connections with soapy water for leaks, whether field or factory made.
8. Verify proper operation of fireplace, including glass media placement.
9. Reinstall glass frame and contemporary frame assemblies.

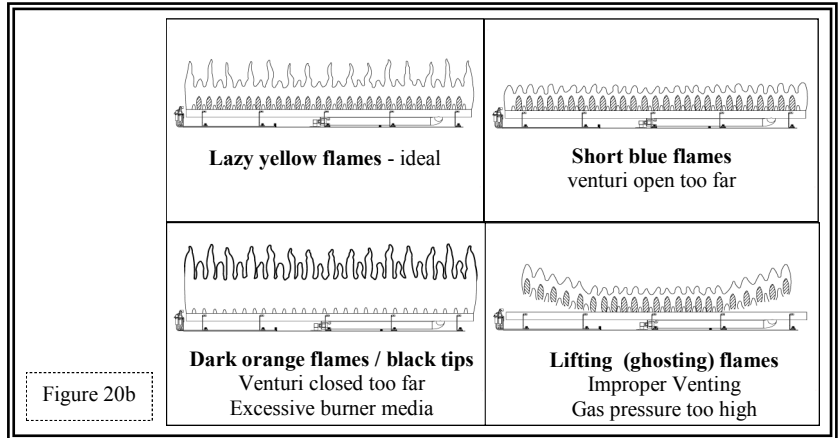
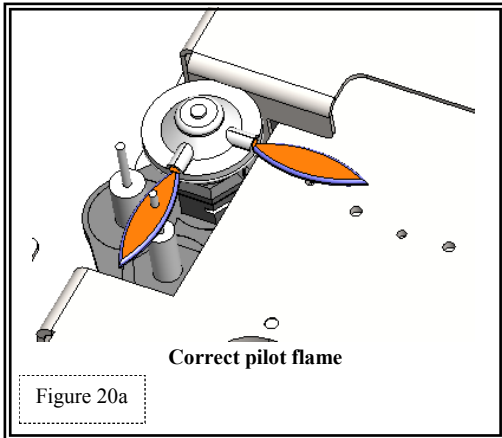


FINALIZING THE INSTALLATION

FLAME APPEARANCE:

Flame appearance is affected by several factors including altitude, venting configuration and fuel quality. Although the venturi setting has been factory set, adjustments may be necessary for optimal performance and visual aesthetics.

When fireplace is first lit, the flames will be blue. Flames will gradually turn yellowish-orange during first 15 minutes of operation. If flames remain blue, or become dark orange with evidence of sooting (black tips), the burner tube venturi may need adjustment.



FACTORY SET BURNER TUBE VENTURI SETTINGS (ADJUST AS NECESSARY FOR YOUR INSTALLATION)

NATURAL GAS	LP (PROPANE) GAS
1/16" (2mm) OPEN	5/8" (16mm) OPEN

BURNER TUBE VENTURI ADJUSTMENT GUIDELINES

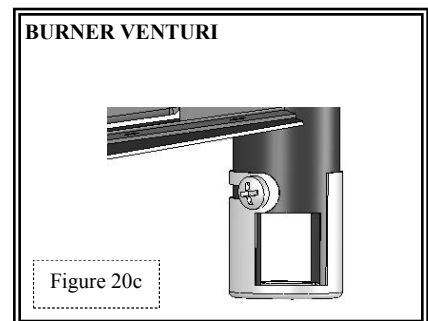
VENTURI POSITION	FLAME COLOR	VENTURI ADJUSTMENT
Closed too far	Dark orange flame with black tips	Open venturi setting slightly
Open too far	Blue flames	Close venturi setting slightly

NOTE If soot is present, check glass media positioning before adjusting burner venturi. Glass media must not block burner ports.

IMPORTANT SLIGHT ADJUSTMENTS TO BURNER VENTURI OPENING CREATE DRAMATIC RESULTS. ADJUST AT SLIGHT INCREMENTS UNTIL DESIRED LOOK IS ACHIEVED. ALWAYS BURN FIREPLACE FOR AT LEAST 15 MINUTES AND ALLOW TIME TO COOL BEFORE MAKING ANY FURTHER ADJUSTMENTS.

TO ADJUST VENTURI:

1. Remove decorative frame, glass frame assembly, glass media, pilot shield and burner assembly from fireplace.
2. Remove screw securing burner at back wall of firebox. Lift right side of burner assembly up to release venturi from burner orifice. Remove burner assembly from firebox.
3. Loosen venturi screw, make adjustment, retighten screw.
4. Re-install burner, making sure venturi is positioned over burner orifice. Secure to back wall with screw previously removed.
5. Reinstall pilot shield, glass media, glass frame assembly and decorative frame.
6. Light fireplace. Wait at least 15 minutes before determining if any further adjustments are necessary.



FINALIZING THE INSTALLATION

RESTRICTOR USAGE:

Turn fireplace on and allow to burn for 15 minutes. If flames indicate there is excessive draft (flickering, short flames) or insufficient draft (lifting or ghosting flames) a restrictor may be necessary, or previously installed restrictor may need to be modified or removed.

WARNING

TO AVOID PROPERTY DAMAGE OR PERSONAL INJURY, ALLOW FIREPLACE AMPLE TIME TO COOL BEFORE MAKING ANY ADJUSTMENTS AND / OR INSTALLATIONS.

RESTRICTOR TROUBLESHOOTING

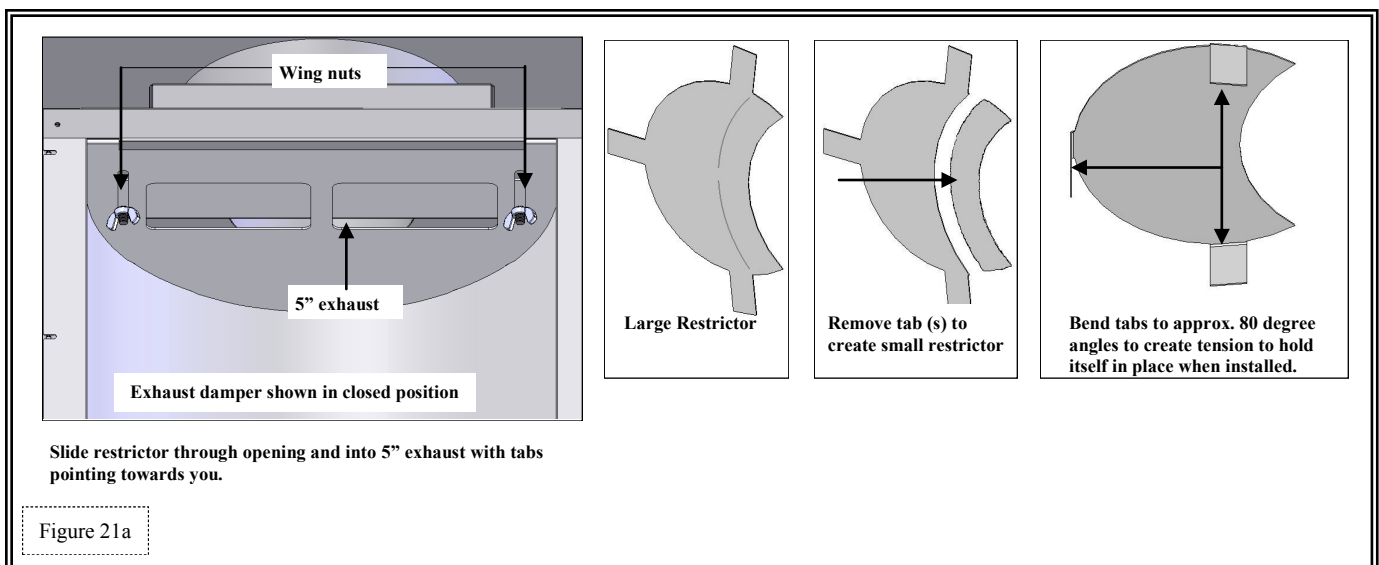
FLAME APPEARANCE	DRAFT PROBLEM	RESTRICTOR SOLUTION
Short, flickering	Excessive draft - not enough restriction	Add restrictor
Lifting or ghosting*	Insufficient draft - too much restriction	Remove inner ring (s) on restrictor or remove restrictor

* Improper venting installation may cause flames to lift or “ghost” - a dangerous situation. Inspect flames after installation to ensure proper performance. If it is determined that venting is correct and the restrictor has been removed, yet flames are still lifting or ghosting, shut off gas supply to fireplace and call a qualified service technician.

RESTRICTOR INSTALLATION / MODIFICATION (after termination completion):

If it is determined that a restrictor is needed or restrictor modification is required after termination installation, access can be reached by completely opening fireplace exhaust damper and inserting restrictor through opening.

1. Open exhaust damper by loosening wing nuts.
2. Depending on your specific needs, determined by the chart above along with other factors, make necessary modifications.
3. If installation of a restrictor (included in fireplace components packet) is necessary, bend tabs on restrictor to approx. 80 degree angles to create tension when inserted into exhaust pipe on fireplace. Insert restrictor into 5” exhaust pipe with tabs pointing towards you.
4. If modification is necessary, remove restrictor by pulling it down and out of 5” exhaust pipe.
5. Readjust exhaust damper to desired position. Tighten wing nuts.
6. Attach glass frame assembly and light fireplace. Wait 15 minutes before determining if any further modifications are necessary.



MAINTENANCE

The appliance is required to be inspected at least once a year by a professional service person.

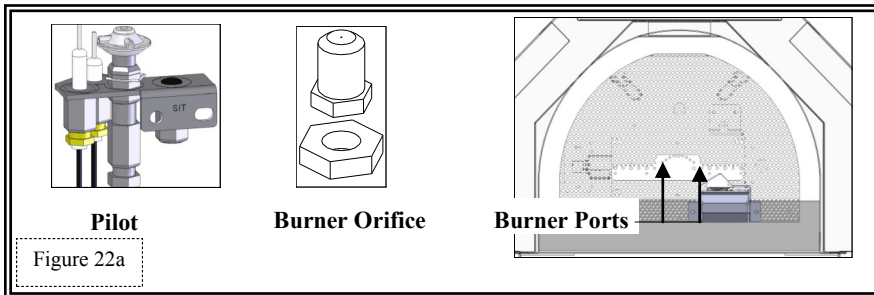
The compartment below firebox must be cleaned at least once a year, more frequent cleaning may be required due to excessive lint from carpeting, bedding materials, or other fibrous materials. Use a vacuum to clean all components at least once a year.

NOTE

INSTALLATION AND REPAIR SHOULD BE DONE ONLY BY QUALIFIED SERVICE PERSON. THE APPLIANCE SHOULD BE INSPECTED BEFORE USE AND ANNUALLY BY A QUALIFIED SERVICE PERSON. MORE FREQUENT CLEANING MAY BE REQUIRED DUE TO EXCESSIVE LINT FROM CARPETING, BEDDING MATERIALS, ETC. IT IS IMPERATIVE THAT CONTROL COMPARTMENTS, BURNERS AND CIRCULATION AIR PASSAGEWAYS OF THE APPLIANCE BE KEPT CLEAN.

CONTROL BOARD SYSTEM

- Annual cleaning of burner system is required. Vacuum all components thoroughly.
- Visually check for blocked port holes, especially near the pilot. Blocked port holes may cause delayed ignition.
- Visually check pilot light and burner when in operation. Flames should be steady, not lifting or floating.



FAN

The fan should be disconnected from electrical current, and cleaned (vacuumed) every six months. The bearings are sealed and require no oiling.

VENT SYSTEM

Annual examination of venting system by a qualified agency is required.

IF VENT-AIR INTAKE SYSTEM IS DISASSEMBLED FOR ANY REASON, RE-INSTALL PER INSTRUCTIONS PROVIDED WITH INITIAL INSTALLATION.

The flow of combustion and ventilation air must not be obstructed.

GLASS CLEANING & REPLACEMENT

- Clean glass only when cool and only with non-abrasive cleansers.
WARNING: DO NOT OPERATE APPLIANCE WITH GLASS/FRAME ASSEMBLY REMOVED, CRACKED OR BROKEN. REPLACEMENT OF THE GLASS SHOULD ONLY BE PERFORMED BY A LICENSED OR QUALIFIED SERVICE PERSON.
- Use protective gloves to handle any broken or damaged glass assembly components.
- The glass assembly, part #TWO-057T, shall only be replaced as a complete unit, as supplied by Hussong Mfg. Co., Inc.
- Replacement of glass & frame assembly, part #TWO-057T, must only be performed by a licensed or qualified service person.
DO NOT SUBSTITUTE MATERIALS.
- Do not strike or slam glass door assembly.

IMPORTANT

ANY SAFETY SCREEN OR GUARD REMOVED FOR SERVICING MUST BE REPLACED PRIOR TO OPERATING THE APPLIANCE.

CAUTION

LABEL ALL WIRES PRIOR TO DISCONNECTION WHEN SERVICING CONTROLS. WIRING ERRORS CAN CAUSE IMPROPER AND DANGEROUS OPERATION. VERIFY PROPER OPERATION AFTER SERVICING.

KEEP APPLIANCE AREA CLEAR OF COMBUSTIBLE MATERIALS, SUCH AS GASOLINE AND OTHER FLAMMABLE VAPORS AND LIQUIDS.

LIMITED WARRANTY

KOZY HEAT LIMITED 10 YEAR WARRANTY

This limited 10 Year Warranty will not become effective until the Warranty Registration Form has been completed and mailed to Hussong Manufacturing Co., Inc., P.O. Box 577, Lakefield, MN 56150. This registration form must be received within 30 days of installation. Failure to do so may result in delayed warranty coverage and submission of proof of purchase will be required.

Hussong Manufacturing Co., Inc. warranties to the original purchaser of this Kozy Heat Fireplace, that it is free of defects in materials and workmanship at the time of manufacture.

Subject to the following conditions & requirements, Hussong Manufacturing Co., Inc. extends the following limited warranty under normal use and service, with respect to the Kozy Heat line of gas burning fireplaces.

YEAR 1: Subject to the conditions & requirements listed below, within the first year from date of purchase, Hussong Manufacturing Co., Inc. shall, at its discretion, replace or repair any such defect in material or workmanship, at Hussong Manufacturing Co., Inc.'s expense, including reasonable labor costs to repair or replace the defective component, if a factory pre-authorization is given for the repair.

YEARS 2-10: Subject to the conditions & requirements listed below, beginning with the first day of the second year and continuing through the tenth year, Hussong Manufacturing Co., Inc., will at its discretion, provide repair or replacement parts at current list prices for any defect in material or workmanship of components, including optional components and accessories (if available). Hussong Manufacturing Co., Inc. shall not be responsible for any installation, labor, transportation of other indirect costs.

LIMITATION OF LIABILITY

To make a claim under this warranty, the purchaser must first contact the dealer/installer from whom the fireplace was purchased.

This limited warranty will be void if the fireplace is not installed by a qualified installer and according to the installation instructions. Use of unauthorized components will make this warranty null and void.

This limited warranty also is void if the fireplace is not operated, at all times, according to the operating instructions furnished.

This warranty is limited to defects in material and workmanship. It does not apply to any product that has been subject to negligence, misapplication, improper installation.

No person is authorized to extend the time of this warranty or to accept on Hussong Manufacturing Co., Inc.'s behalf any additional obligation of liability connected with the unit.

It is expressly agreed and understood that this warranty is Hussong Manufacturing Co., Inc.'s sole obligation and purchaser's exclusive remedy for defective fireplace equipment. Hussong Manufacturing Co., Inc. shall not be liable for any consequential, incidental or contingent damages whatsoever. The foregoing warranty is exclusive and in lieu of all other expressed warranties. Hussong Manufacturing Co., Inc. shall not be held to implied warranties or merchantability and fitness for a particular purpose. This warranty replaces all previous warranty policies.

Some states do not allow the exclusion or limitation of incidental or consequential damages or limitations on how long an implied warranty lasts, so the above limitations or exclusions may not apply to you. This warranty gives you specific legal rights and you may also have other rights which vary from state to state.

Hussong Manufacturing Co., Inc. reserves the right to make changes at any time, without notice, in design, material, specifications and prices. Hussong Manufacturing Co., Inc. reserves the right to discontinue models and products.

WARRANTY CONDITIONS & REQUIREMENTS:

1. You are the original purchaser. This warranty is not transferable.
2. Installation of the fireplace is performed by a qualified installer.
3. Installation and operation must comply with installation and operation instructions.
4. Paint and glass gaskets are covered for 30 days from date of purchase.
5. Remote controls and all optional accessories are covered for 1 year from date of purchase.
6. This warranty does not offer coverage for Light Bulbs or Batteries (whether factory, dealer or installer supplied). This includes any damage stemming from either component's nonuse.
7. Components broken, (including glass panels), during shipping, careless handling of components, or defects resulting from improper installation, misuse of the fireplace and components are not covered under this warranty.
8. This warranty does not cover any part of the fireplace or any components which have been exposed to or submerged under water.
9. Hussong Manufacturing Co., Inc. must be notified by the dealer the fireplace was purchased from or a qualified installer/service technician of the defect.
10. Annual service of the fireplace as required in the installation manual, is performed by a qualified installer/service technician. (Copies of such service records may be required to claim a warranty).
11. All previous warranty/service has been performed by a qualified installer or service technician. (Copies of such service records may be required to claim a warranty).

LIFETIME WARRANTY

LIFETIME WARRANTY

THIS LIFETIME WARRANTY COVERAGE WILL BE EXTENDED AS DESCRIBED BELOW PROVIDED ALL WARRANTY CONDITIONS AND REQUIREMENTS ARE MET AS OUTLINED IN THE 10 YEAR LIMITED WARRANTY POLICY.

LIFETIME WARRANTY COVERAGE

LIFETIME WARRANTY IS EXTENDED AS FOLLOWS: Hussong Manufacturing Co., Inc. warranties to the original purchaser that the firebox, heat exchanger, fiber logs, burner tube and glass panel of this Kozy Heat Fireplace will not be defective in material or workmanship under normal use and service for as long as you own this product. If any of these components fail due to defects in material and workmanship under normal use and service, Hussong Manufacturing, Co., Inc. will, at its sole discretion, repair or replace the defective component. This LIFETIME WARRANTY does not cover any installation, labor, transportation or other indirect cost arising from defective components.

LIMITATION OF LIABILITY

This Lifetime Warranty will be void if the fireplace is not installed by a qualified installer and according to the installation instructions. Use of unauthorized components will make this warranty null and void. This Lifetime Warranty also is void if the fireplace is not operated, at all times, according to the operating instructions furnished. This warranty is limited to defects in material and workmanship of components specified. It does not apply to any product that has been subject to negligence, misapplication, improper installation.

No person is authorized to extend the time of this Lifetime Warranty or to accept on Hussong Manufacturing Co., Inc.'s behalf any additional obligation of liability connected with the unit.

Hussong Manufacturing Co., Inc. may fully discharge all obligations with respect to this Lifetime Warranty by refunding the wholesale price of the defective component(s).

It is expressly agreed and understood that this Lifetime Warranty is Hussong Manufacturing Co., Inc.'s sole obligation and original purchaser's exclusive remedy for defective fireplace equipment. Hussong Manufacturing Co., Inc. shall not be liable for any consequential, incidental or contingent damages whatsoever other than those incurred by Hussong Manufacturing Co., Inc. to repair or replace the defective component. The foregoing warranty is exclusive and in lieu of all other expressed warranties. Hussong Manufacturing Co., Inc. shall not be held to implied warranties, including but not limited to the implied warranties of merchantability and fitness for a particular purpose. This lifetime warranty replace all previous lifetime warranty policies.

Hussong Manufacturing Co., Inc. reserves the right to make changes at any time, without notice, in design, material, specifications and prices. Hussong Manufacturing Co., Inc. reserves the right to discontinue models and products.

To activate this Lifetime Warranty coverage, this registration card must be completed and mailed with your completed 10 Year Limited Warranty form within 30 days of installation to the following address:

***Hussong Manufacturing Co., Inc.
P.O. Box 577
204 Industrial Park Drive
Lakefield, MN 56150-0577***

Sept. 2011

CUT ALONG DOTTED LINE

PURCHASER NAME: _____
ADDRESS: _____

TELEPHONE: _____

INSTALLATION DATE: _____
MODEL #: _____
SERIAL #: _____

INSTALLER NAME: _____
ADDRESS: _____

TELEPHONE: _____





#NCL-195

DIRECT VENT GAS FIREPLACE

IMPORTANT: This supplemental installation and homeowner manual is to be used in conjunction with NICOLLET INSTALLATION MANUAL. Read both manuals before installing and operating appliance.

INSTALLER: Leave this manual with the appliance.
CONSUMER: Retain this manual for future reference.

English and French Installation Manuals Available Through Your Local Dealer or Visit Our Website at www.kozyheat.com

WARNING: Improper installation, adjustment, alteration, service or maintenance can cause injury or property damage. Refer to fireplace installation manual and this manual. For assistance or additional information consult a qualified installer, service agency or the gas supplier.

WARNING: If the information in these instructions is not followed exactly, a fire or explosion may result causing property damage, personal injury or loss of life.

—Do not store or use gasoline or other flammable vapors and liquids in the vicinity of this or any other appliance.

WHAT TO DO IF YOU SMELL GAS:

- ❑ Do not try to light any appliance.
- ❑ Do not touch any electrical switch: do not use any phone in your building.
- ❑ Immediately call gas supplier from a neighbors phone. Follow the gas supplier instructions
- ❑ If you cannot reach your gas supplier, call the fire department.

— Installation and service must be performed by a qualified installer, service agency or the gas supplier.



WARNING



**HOT GLASS WILL CAUSE BURNS.
DO NOT TOUCH GLASS UNTIL COOLED.
NEVER ALLOW CHILDREN TO TOUCH GLASS.**



MAY 2012
NCL-SUP-REV-01

TABLE OF CONTENTS

<u>SAFETY INFORMATION</u>	
Safety Information	2
<u>SPECIFICATIONS</u>	
Components List	3
Gas Pressure Requirements / BTU's	3
<u>OPTIONAL FAN KIT INSTALLATION</u>	
Optional Fan Kit Installation	4
<u>WIRING SCHEMATICS</u>	
Wiring Schematics	4
<u>OPERATING INSTRUCTIONS</u>	
Control System Components	5-6
System Operations	7-10
Lighting and Shutdown	11-12
Pressure Testing	13
<u>TROUBLESHOOTING</u>	
Troubleshooting	14-15
<u>CONVERSION KIT INSTRUCTIONS</u>	
Conversion Kit Instructions	16-18
<u>MAINTENANCE</u>	
Maintenance	19
<u>REPLACEMENT PARTS</u>	
Replacement Parts	20

SAFETY INFORMATION

This fireplace has been tested by PFS Corporation, Cottage Grove, Wisconsin and complies with:

ANSI Z21.88-2009/CSA 2.33-2009, "Standard for Vented Gas Fireplace Heaters."
CAN/CGA 2.17-M91 (R2009), "Gas-Fired for Use at High Altitudes."
CAN/CSA P.4.1-09, "Testing Method for Measuring Annual Efficiency".

This installation must conform with local codes, or in the absence of local codes, with the *National Fuel Gas Code, ANSI Z223.1/NFPA 54*, or the *Natural Gas and Propane Installation Code, CSA B149.1*

- Installation and repair should be done only by a qualified service person. The appliance should be inspected by a qualified service person before use. Annual inspection by a qualified service person is required to maintain warranty. More frequent cleaning may be required due to excessive lint from carpeting, bedding materials, etc. It is imperative that control compartments, burners and circulation air passageways of the appliance be kept clean.
- If this appliance is installed directly on carpeting, tile or other combustible material other than wood flooring, the appliance shall be installed on a metal or wood panel extending the full width and depth of the appliance.
- Children and adults should be alerted to the hazards of high surface temperatures and should stay away to avoid burns or clothing ignition.
- Young children should be carefully supervised when they are in the same room as the appliance. Toddlers, young children and others may be susceptible to accidental contact burns. A physical barrier is recommended if there are at risk individuals in the house. To restrict access to a fireplace or stove, install an adjustable safety gate to keep toddlers, young children and other at risk individuals out of the room and away from hot surfaces.
- Clothing or other flammable material should not be placed on or near the appliance.
- Adequate accessibility clearances for servicing and proper operation must be maintained.
- This appliance must not share or be connected to a chimney flue serving any other appliance.
- Keep area around the appliance clear of combustible materials, gasoline and other flammable vapor and liquids.
- The flow of combustion and ventilation air must not be obstructed.
- Due to high temperatures the appliance should be located out of traffic and away from furniture and draperies.
- The glass front or any part removed for servicing the appliance must be replaced prior to operating the appliance. Work should be done by a qualified service technician.
- Clean glass only when cool and only with non-abrasive cleansers.
- **WARNING: DO NOT OPERATE APPLIANCE WITH THE GLASS/FRAME ASSEMBLY REMOVED, CRACKED OR BROKEN. REPLACEMENT OF THE GLASS SHOULD ONLY BE PERFORMED BY A LICENSED OR QUALIFIED SERVICE PERSON.**
- The glass assembly, Part #TWO-057T, shall only be replaced as a complete unit, as supplied by Hussong Mfg. Co., Inc. DO NOT SUBSTITUTE MATERIALS.
- Do not strike or slam glass assembly.
- Any safety screen or guard removed for servicing the appliance must be replaced prior to operating the appliance.
- Under no circumstances should any solid fuel (wood, coal, paper or cardboard etc.) be used in this appliance.
- Keep burner and control compartment clean.
- Do not use this fireplace if any part has been under water. Immediately call a qualified service technician to inspect this appliance and to replace any part of the control system and any gas control which has been under water.

SPECIFICATIONS

NCL-195 COMPONENTS LIST

PART NUMBER	DESCRIPTION
NCL-100	IPI Control Board Assembly
700-203	Manual Gas Shut-off Valve
NCL-135	Burner Assembly
NCL-LKT	Light Kit
TWO-057T	Glass Frame Assembly
942-085	5" Restrictor Plate
NCL-HHS	Horizontal Vent Heat Shield
700-308	Remote Control

	<u>NCL-195</u>	
	<u>NATURAL GAS</u>	<u>LP GAS</u>
MINIMUM INLET GAS PRESSURE	5" WC (1.25 kPa) (7" WC (1.74 kPa) (recommended)	11" WC (2.74 kPa) (recommended)
MAXIMUM INLET GAS PRESSURE	10.5" WC (2.62 kPa)	13" WC (3.24 kPa)
MANIFOLD PRESSURE (HI)	3.5" WC (.87 kPa)	10" WC (2.49 kPa)
MANIFOLD PRESSURE (LO)	1.6" WC (.40 kPa)	6.4" WC (1.59 kPa)
ORIFICE SIZE	#52	#60
INPUT BTU/hr. (kW)	12,500 BTU/hr (3.66 kW)	12,500 BTU/hr (3.66 kW)
MINIMUM INPUT BTU/hr. (kW)	7,500 BTU/hr (2.2 kW)	7,500 BTU/hr (2.2 kW)

OPTIONAL FAN KIT INSTALLATION

INSTALLATION OF THIS FAN SHOULD BE DONE ONLY BY A QUALIFIED INSTALLER

WARNING

MAKE SURE HOUSEHOLD BREAKER IS SHUT OFF PRIOR TO WORKING ON ANY ELECTRICAL LINES.

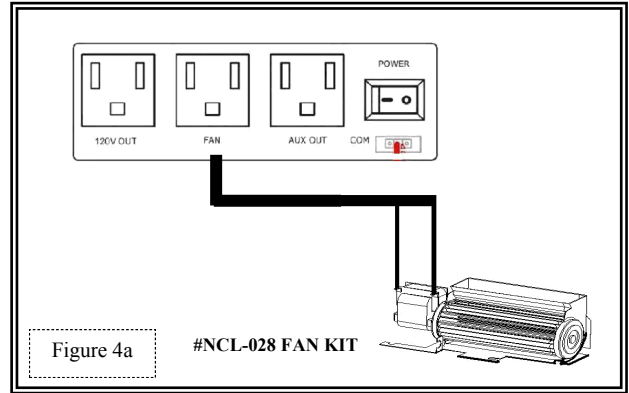
THIS APPLIANCE IS EQUIPPED WITH A THREE-PRONG (GROUNDING) PLUG FOR PROTECTION AGAINST SHOCK HAZARD AND SHOULD BE PLUGGED DIRECTLY INTO A PROPERLY GROUNDED THREE-PRONG RECEPTACLE. DO NOT CUT OR REMOVE GROUNDING PRONG FROM THIS PLUG.

NOTE

This appliance must be electrically grounded and connected in accordance with local codes, or in the absence of local codes, with the National Electrical Code, ANSI/NFPA 70 Current Edition, or the Canadian electrical Code CSA C22.1.

The following components must be removed from fireplace before installing this fan: Face frame, Glass frame assembly.

1. Insert fan through right side of lower grill opening , push to back wall.
2. Plug cord into receptacle marked FAN on extension module.
3. Re-install glass frame assembly and face frame.

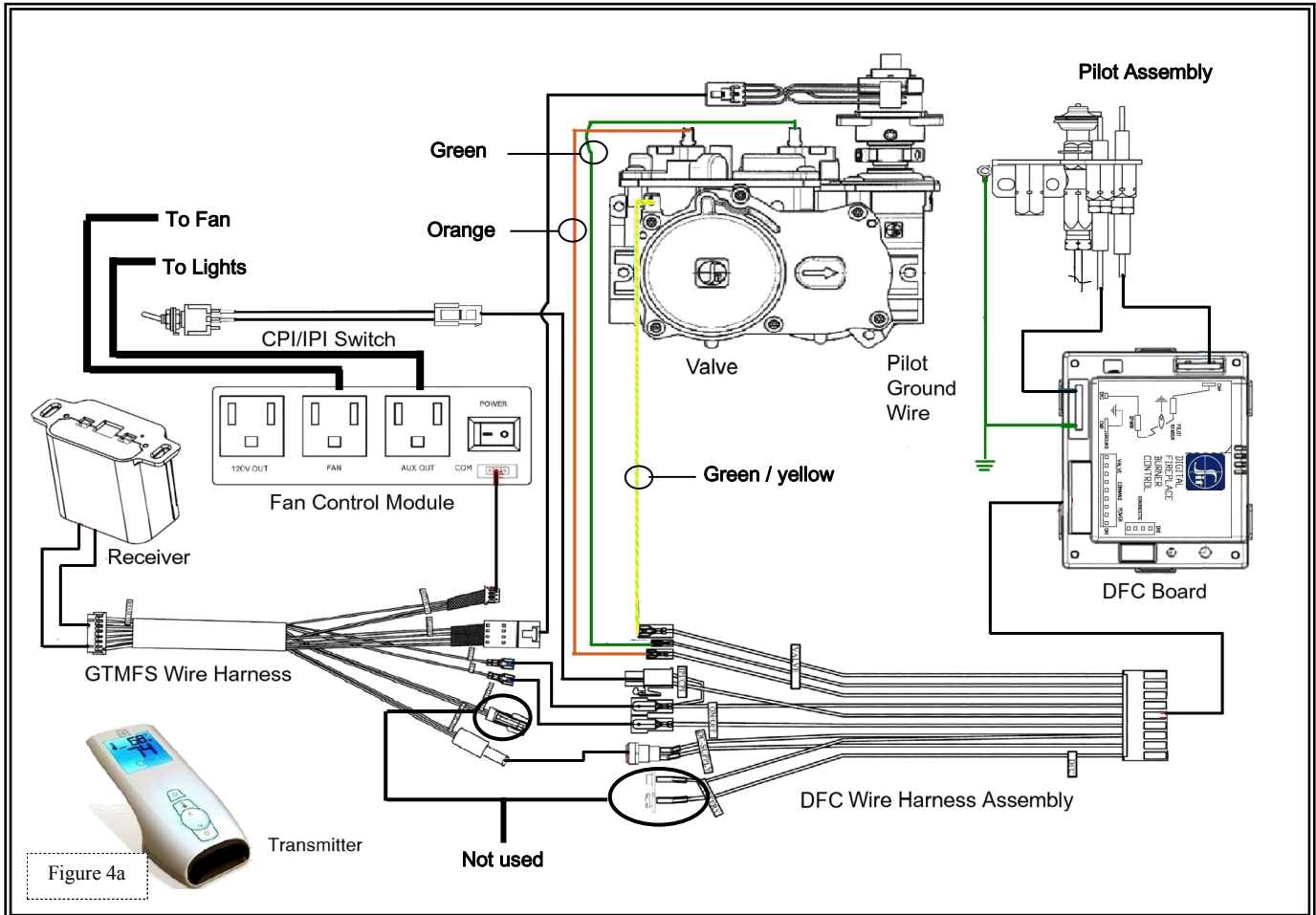


WIRING SCHEMATICS

IMPORTANT

THIS SYSTEM REQUIRES ELECTRICITY (120V) AND / OR BATTERIES TO OPERATE.

USING BATTERY BACK UP WILL OPERATE BURNER ONLY. FAN AND LIGHT COMPONENTS WILL NOT FUNCTION ON BATTERY BACK-UP POWER.



CONTROL SYSTEM COMPONENTS

REMOTE CONTROL

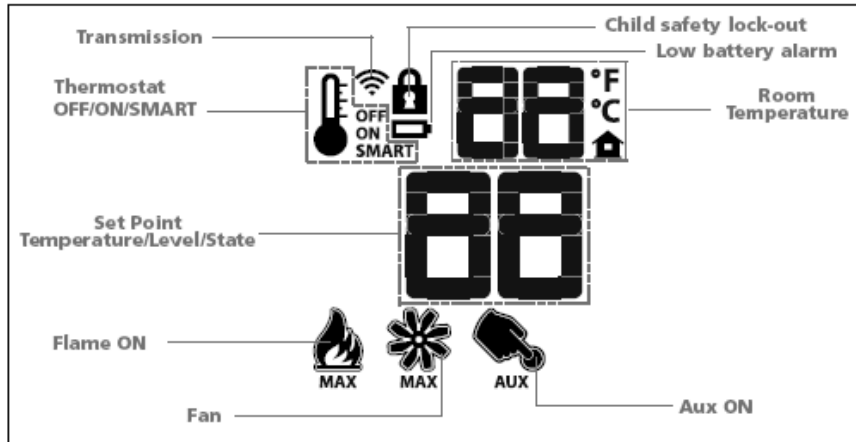


Figure 5a

GAS VALVE

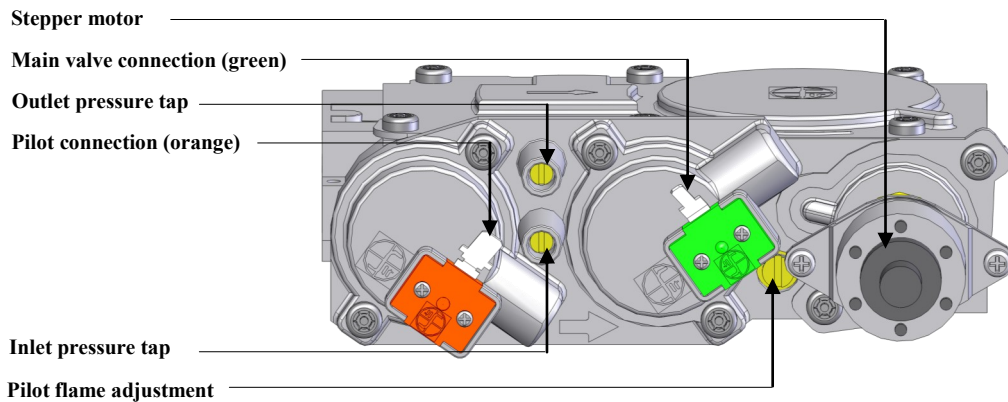


Figure 5b

PILOT ASSEMBLY

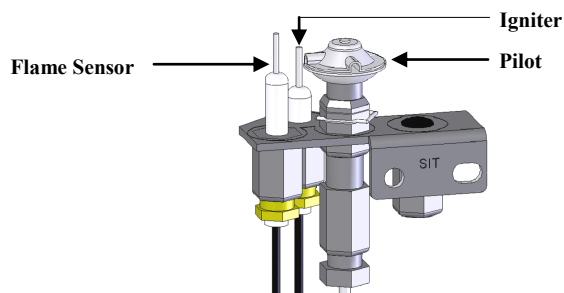


Figure 5c

CONTROL SYSTEM COMPONENTS

RECEIVER

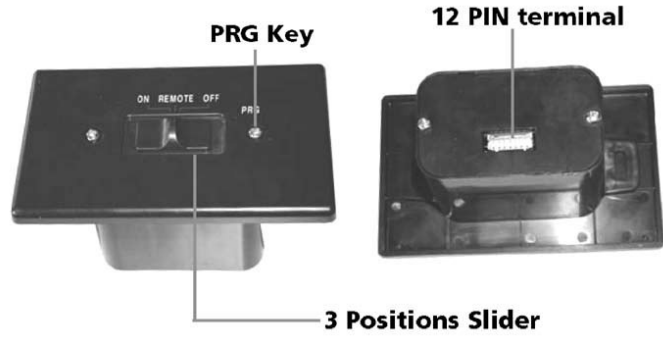


Figure 6a

FAN CONTROL MODULE

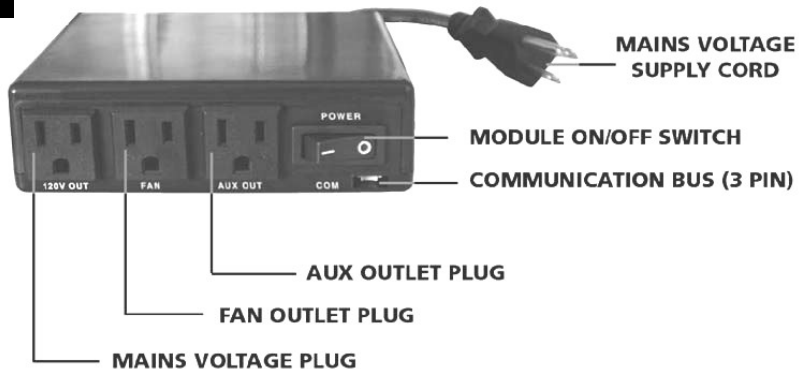


Figure 6b

DFC CONTROL BOARD

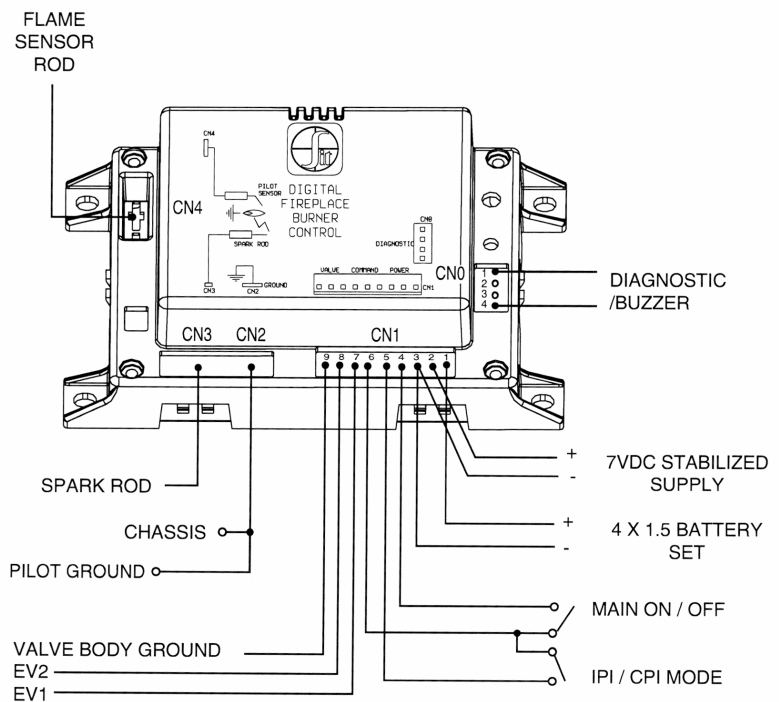
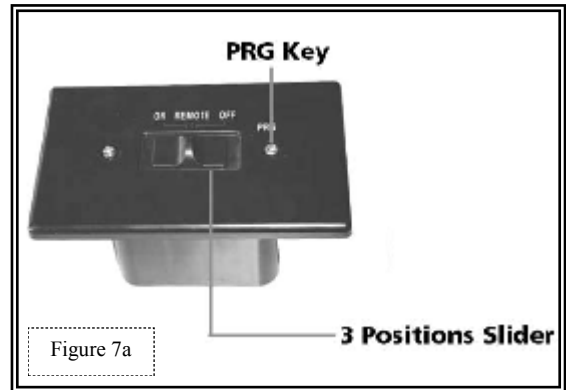


Figure 6c

SYSTEM OPERATION

INITIALIZING THE SYSTEM FOR THE FIRST TIME

1. Move slider switch on receiver to **OFF** position.
2. Install 4 AA batteries (included in components packet) into receiver battery bay.
3. Using the end of a paper clip, or other similar object, press button through hole marked **PRG** on receiver front cover. Receiver will 'beep' three (3) times to indicate it is ready to synchronize with a transmitter.
4. Install 3 AAA batteries (included in components packet) into transmitter battery bay (located on base of transmitter). Push the **ON** button. The receiver will beep four (4) times to indicate the transmitter's command is accepted and set to the particular code of that transmitter.
5. Push **OFF** button on transmitter. The receiver will 'beep' two (2) times to indicate the transmitter's command is again accepted.
6. Move slider switch to **REMOTE** position.
7. Turn On fan control module, switching to ON (|) position.
8. The system is now initialized.

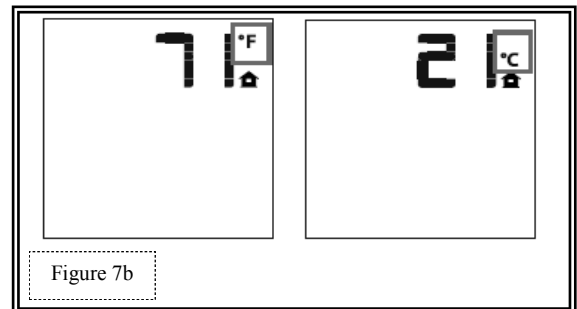


NOTE

This procedure must be performed every time batteries are replaced in Receiver or Transmitter.

TEMPERATURE DISPLAY

With the system in **OFF** position, press Thermostat Key and Mode Key at the same time to change from degrees F to C. Look at transmitter LCD screen to verify that C or F is visible on right side of Room Temperature display.



TURN ON THE APPLIANCE

Press **ON/OFF** key on transmitter. The display will show all active icons on the screen. A single 'beep' from receiver will confirm reception of the command.

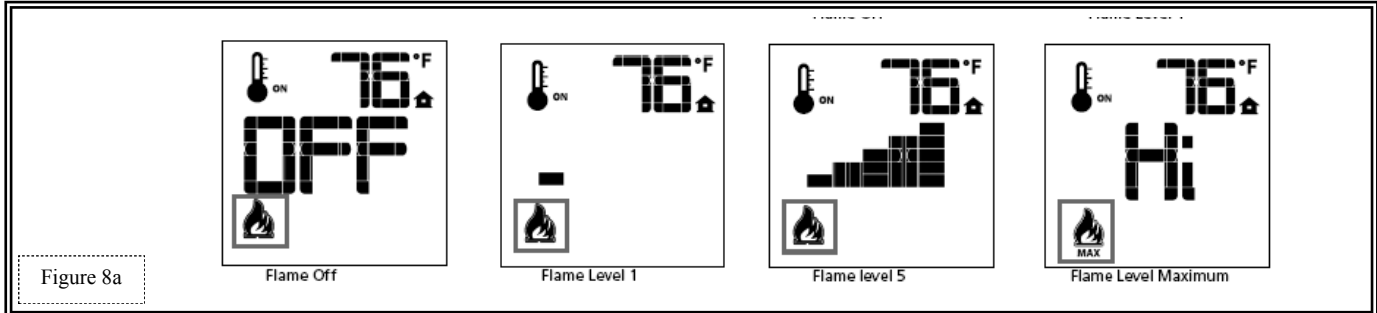
TURN OFF THE APPLIANCE

Press **ON/OFF** key on transmitter. The display will show only room temperature and icon on the screen. A single 'beep' from receiver will confirm reception of the command.

SYSTEM OPERATION

REMOTE FLAME CONTROL

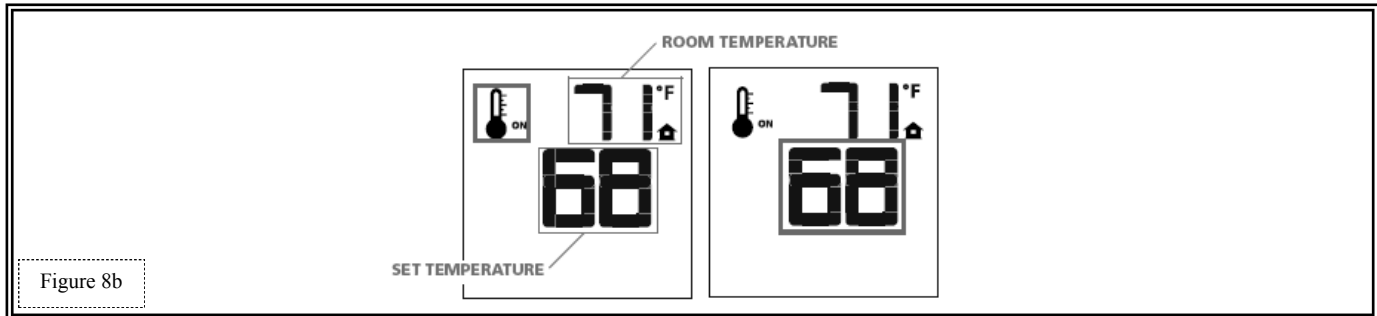
The remote control has six (6) flame levels. With system ON and flame level at maximum, press Down Arrow Key once to reduce flame height by one step until flame is turned off. The Up Arrow Key will increase flame height on step each time it is pressed. If Up Arrow Key is pressed while system is on but flame is off, the flame will come on in High position. A single 'beep' will confirm reception of the command.



ROOM THERMOSTAT (Transmitter Operation)

The remote control can operate as a room thermostat. The thermostat can be set to desired temperature to control a rooms comfort level.

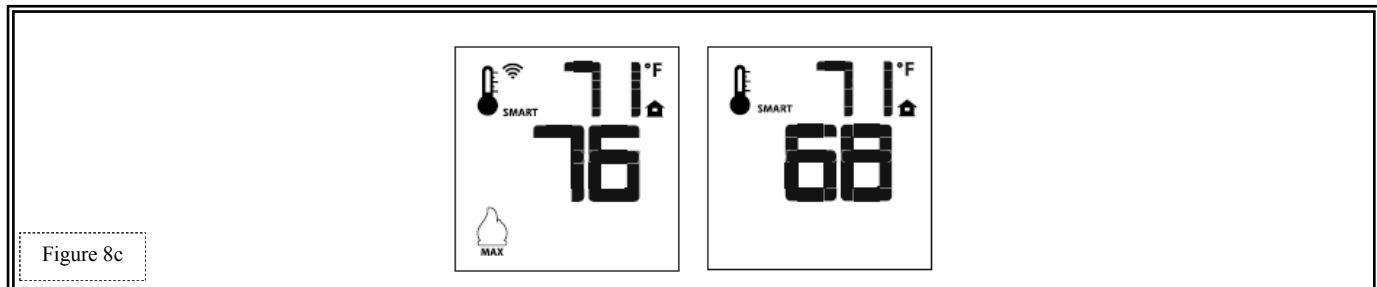
To activate this function, press the Thermostat Key. The LCD display will change to show the room thermostat is ON and set temperature is now displayed. To adjust set temperature, press Up or Down arrow keys until desired set temperature is display on LCD screen.



SMART THERMOSTAT (Transmitter Operation)

The Smart Thermostat function adjusts flame height based on set temperature and actual room temperature. As room temperature gets closer to set point the Smart Function will automatically adjust flame down.

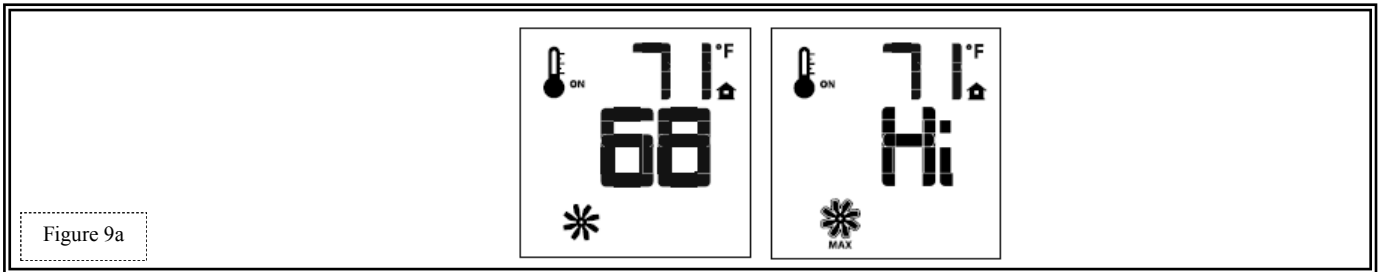
1. Press Thermostat key until the word SMART appears on right side of temperature bulb graphic.
2. To adjust set temperature, press Up/Down arrow keys until desired set temperature is displayed on LCD screen.



SYSTEM OPERATION

FAN SPEED CONTROL

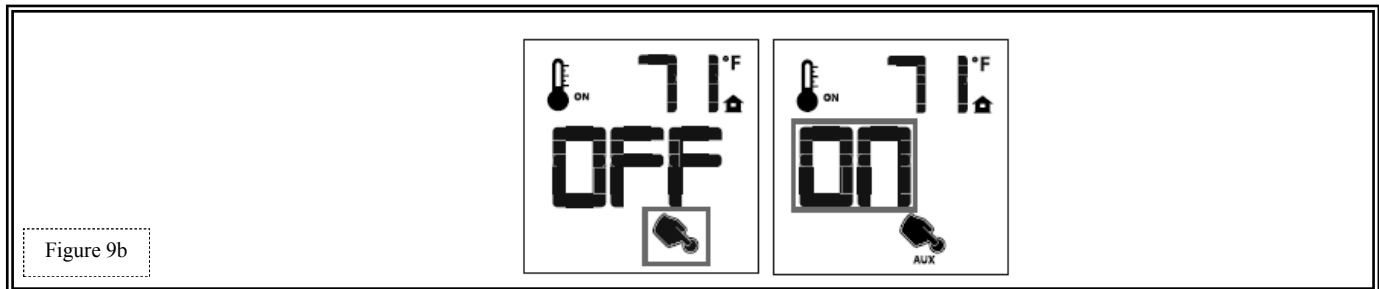
Fan speed can be adjusted through six (6) speeds. To activate this function use Mode Key to index to fan control icon. Use Up/Down Arrow Keys to turn on, off or adjust fan speed. A single 'beep' will confirm reception of the command.



ACCENT LIGHT KIT (not available in all fireplace models)

The auxiliary function controls the AUX power outlet on the Fan control module which in turn controls the light kit.

1. Use MODE key to guide you to AUX icon.
2. Press Up Arrow Key to turn light kit on, press Down Arrow Key to turn light kit off. A single 'beep' will confirm reception of the command.
3. Use the installed dimmer switch to adjust brightness of lights.

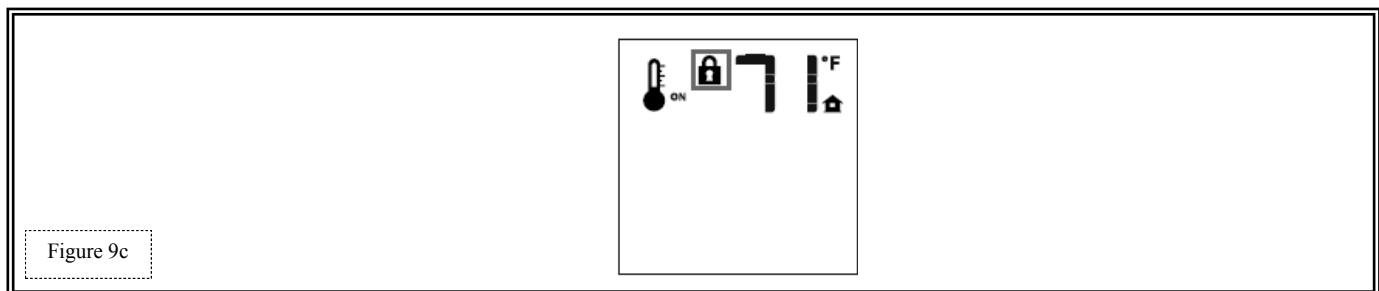


KEY LOCK

This function locks the keys to avoid unsupervised operation.

To Activate: Press MODE and UP keys at same time.

To De-activate: Press MODE and UP keys at same time.



SYSTEM OPERATION

LOW BATTERY DETECTION

TRANSMITTER: Remote control battery lifespan depends on various factors including battery quality, number of ignitions, changes to room thermostat set point, etc.

When transmitter batteries are low, a Battery Icon will appear on the LCD display before all battery power is lost. When batteries are replaced this icon will disappear.

RECEIVER: Receiver battery lifespan depends on various factors including battery quality, number of ignitions, changes to room thermostat set point, etc.

When receiver batteries are low, no 'beep' will be emitted from Receiver when it receives an ON/OFF command from the Transmitter. This is an alert for a low battery condition for the Receiver. When the batteries are replaced the 'beep' will be emitted from the Receiver when ON/OFF Key is pressed.

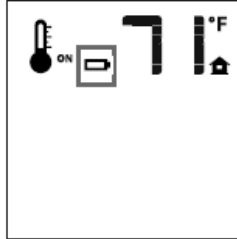


Figure 10a

MANUAL BYPASS OF REMOTE SYSTEM

If batteries of the Receiver or Transmitter are low or depleted, the appliance can be turned on by sliding the three position slider switch on the Receiver to the ON position. This will bypass the remote control feature of the system and the appliance main burner will come on if gas valve is in the ON position.

CONTINUOUS PILOT OPTION

This system has the option of a continuous (standing) pilot feature. This allows you to change from a spark-to-pilot system to a standing pilot system during cold weather conditions. By having the pilot on continuously, the firebox will remain warm and a draft is established in the vent, allowing the main burner to turn on with less air-flow disruption.

When continuous pilot mode is activated and fireplace is turned ON, the pilot will spark and light. When fireplace is turned OFF, the pilot will remain lit when main burner has been turned OFF.

DIRECT FIREPLACE OPERATION

The fireplace may be directly operated from the receiver.

ON: Fireplace burner turns on (regardless of transmitter settings).

OFF: Fireplace burner turns off (regardless of transmitter settings).

REMOTE: Fireplace is controlled by remote control (transmitter).

NOTE

When receiver switch is turned to ON or Off, mode settings (Accent Lights, Fan, Flame Height, Smart Thermostat) will remain in same state as before switch was moved. If you wish to adjust mode settings use transmitter mode button to adjust settings. The thermostat and burner ON/OFF operating functions will not work on the transmitter.

LIGHTING AND SHUTDOWN

FOR YOUR SAFETY - READ BEFORE OPERATING

WARNING

IF YOU DO **NOT** FOLLOW THESE INSTRUCTIONS EXACTLY, A FIRE OR EXPLOSION MAY RESULT, CAUSING PROPERTY DAMAGE, PERSONAL INJURY OR LOSS OF LIFE.

1. This appliance is equipped with an ignition device which automatically lights the pilot. **DO NOT** try to light the pilot by hand.
2. BEFORE OPERATING, smell all around the appliance area for gas. Be sure to smell next to the floor because some gas is heavier than air and will settle on the floor.

WHAT TO DO IF YOU SMELL GAS:

- * Do not try to light any appliance.
 - * Do not touch any electrical switch; do not use any phone in your building.
 - * Immediately call your gas supplier from a neighbor's phone. Follow the gas supplier's instructions.
 - * If you cannot reach your gas supplier, call the fire department.
3. Do not use this appliance if any part has been under water. Immediately call a qualified service technician to inspect the appliance and to replace any part of the control system and any gas control which has been under water.

WARNING

CHILDREN AND ADULTS SHOULD BE ALERTED TO THE HAZARDS OF HIGH SURFACE TEMPERATURES AND SHOULD STAY AWAY TO AVOID BURNS OR CLOTHING IGNITION. YOUNG CHILDREN SHOULD BE CAREFULLY SUPERVISED WHEN THEY ARE IN THE SAME ROOM AS THE APPLIANCE.

CLOTHING OR OTHER FLAMMABLE MATERIAL MUST NOT BE PLACED ON OR NEAR THE APPLIANCE.

DO NOT STORE OR USE GASOLINE OR OTHER FLAMMABLE VAPORS AND LIQUIDS IN THE VICINITY OF THIS OR ANY OTHER APPLIANCE.

NOTE

A PAINT SMELL WILL OCCUR DURING THE FIRST FEW HOURS OF BURNING. IT IS RECOMMENDED TO LEAVE THE FAN OFF DURING THIS PERIOD TO HELP SPEED THE PAINT CURING PROCESS.

THIS FIREPLACE MAY PRODUCE NOISES OF VARYING DEGREE AS IT HEATS AND COOLS DUE TO METAL EXPANSION AND CONTRACTION. THIS IS NORMAL AND DOES NOT AFFECT THE PERFORMANCE OR LONGEVITY OF THE FIREPLACE.

DUE TO HIGH SURFACE TEMPERATURES, KEEP CHILDREN, CLOTHING AND FURNITURE AWAY.

This appliance needs fresh air for safe operation and must be installed so there are provisions for adequate combustion and ventilation air.

LIGHTING AND SHUTDOWN (cont.)

OPERATING INSTRUCTIONS

STOP!

Read safety information on previous page and front cover of this manual before continuing.

1. Turn off all electric power to the appliance.

ATTENTION

This appliance is equipped with an ignition device which automatically lights the pilot. **DO NOT** try to light the pilot by hand.

2. Press hand held remote **OFF** button.
3. Wait five (5) minutes to clear out any gas. Then smell for gas, including near the floor. If you smell gas, **STOP!** Follow 'WHAT TO DO IF YOU SMELL GAS' below. If you don't smell gas, go to next step.

WHAT TO DO IF YOU SMELL GAS:

- * Do not try to light any appliance.
- * Do not touch any electric switch; do not use any phone in your building.
- * Immediately call your gas supplier from a neighbor's phone. Follow the gas supplier's instructions.
- * If you cannot reach your gas supplier, call the fire department.

4. Turn ON all electric power to the appliance.
5. Press hand held remote **ON** button.

CAUTION

If fireplace will not operate, follow instructions **TO TURN GAS OFF TO APPLIANCE** and call your service technician or the gas supplier.

NOTE

When fireplace is initially lit, condensation will appear on the glass; this is normal in all gas fireplaces and will disappear after several minutes.

TO TURN GAS OFF TO APPLIANCE

1. Press hand held remote **OFF** button.
2. Turn OFF all electric power to appliance if service is to be performed.
3. Manual shut-off valve located behind lower grill. Turn manual shut-off valve to **OFF**.

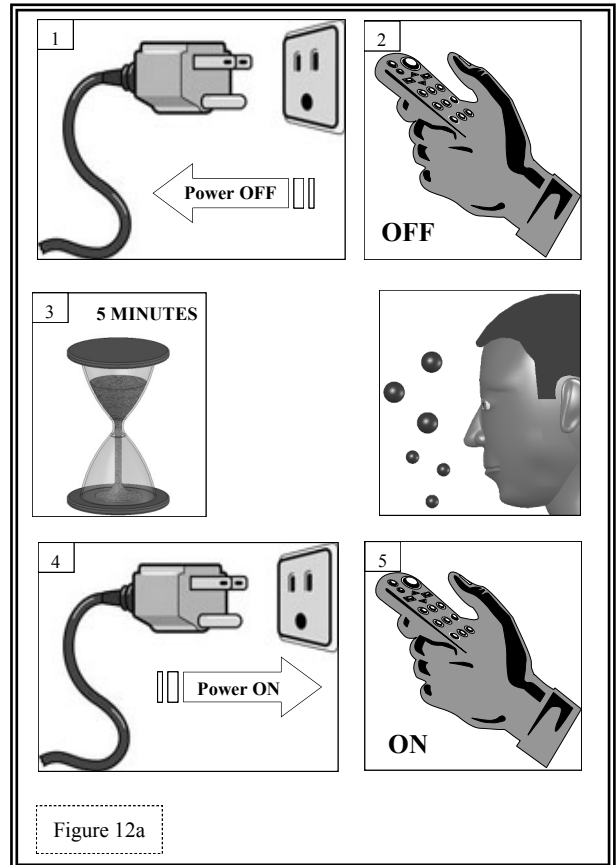


Figure 12a

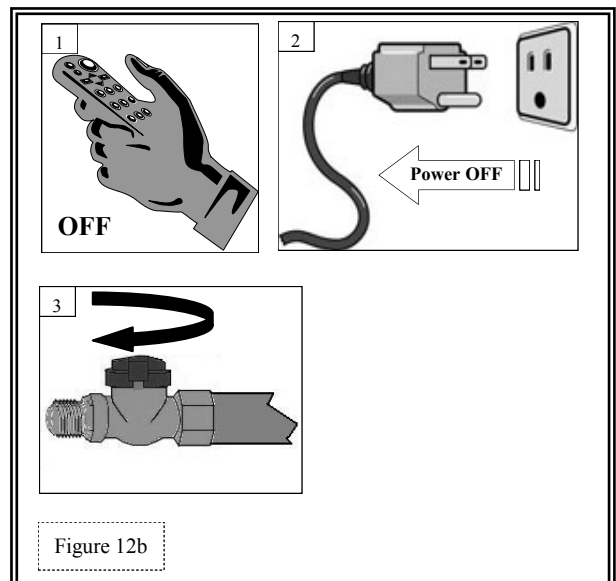


Figure 12b

PRESSURE TESTING

IMPORTANT

Pressure check taps for manifold (outgoing) and inlet (incoming) pressure have been incorporated into the valve. The pressure tap marked OUT measures outgoing pressure and the pressure tap marked IN measures incoming pressure. Follow instructions below for proper testing procedures. Refer to page 17 for proper NAT and LP manifold pressures.

NOTE

The appliance and its appliance main gas valve must be disconnected from the gas supply piping system during any pressure testing of that system at test pressures in excess of 1/2 psi (3.5 kPa). The appliance must be isolated from the gas supply piping system by closing its equipment shutoff valve during any pressure testing of the gas supply piping system at test pressures equal to or less than 1/2 psi (3.5 kPa).

INLET PRESSURE TEST:

1. Loosen inlet (IN) pressure tap screw (counter-clockwise).
2. Attach manometer using a 5/16" I.D. hose.
3. Set IPI/CPI switch to CPI setting.
4. Light pilot. Note manometer reading.
5. Move receiver slider switch to ON. Burner should light. Check pressure to ensure it stays between the min. and max. recommended pressure settings.
6. Set IPI/CPI switch to IPI setting. Move receiver slider switch to OFF. Pilot and burner should go out.
7. Disconnect hose and tighten screw (clockwise). Screw should be snug, do not over tighten.
8. Relight pilot. Reattach manometer to inlet pressure tap to verify that it is completely sealed. Manometer should read no pressure.

NOTE

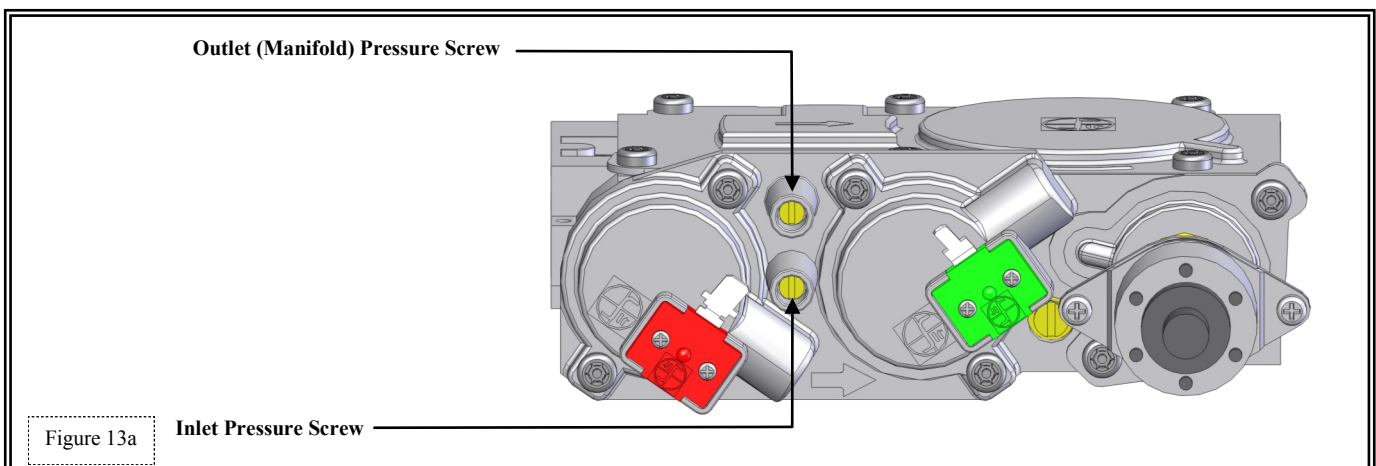
If inlet pressure reading is too high or too low, contact the gas company. Only a qualified gas service technician should adjust incoming gas pressure.

CAUTION

A LOW PRESSURE READING CAN CAUSE DELAYED IGNITION.

MANIFOLD PRESSURE TEST:

1. Light pilot.
2. Loosen manifold (OUT) pressure tap screw (counter-clockwise).
3. Attach manometer to pressure tap using a 5/16" I.D. hose.
4. Set IPI/CPI switch to CPI setting.
5. Move receiver slider switch to ON. Burner should light. Note manometer reading.
6. Set IPI/CPI switch to IPI setting. Move receiver slider switch to OFF.
7. Disconnect manometer hose and tighten screw (clockwise). Screw should be snug, do not over tighten.
8. Attach manometer to manifold pressure tap to verify it is completely sealed. Manometer should read no pressure when receiver slider switch is moved to ON.



TROUBLESHOOTING

ATTENTION

TROUBLESHOOTING MUST BE PERFORMED BY A QUALIFIED TECHNICIAN.

Before proceeding with the steps in the following troubleshooting guide, verify the power supply (AC/DC adapter or Fan Control Module) is present and receiver batteries and/or battery pack are fresh and installed with correct polarity.

Make sure all connections between wire harnesses and system components are proper and positive.

Make sure communication link between transmitter and receiver is established.

Verify inlet pressure meets the recommended inlet pressure. If necessary adjust line pressure regulator.

PILOT WILL NOT LIGHT / STAY LIT

- Electrical power interrupted or disconnected. Restore electrical power to fireplace or use battery back-up. Ensure batteries are fully charged if using battery back-up as power source.
- Verify gas supply is turned on. Check remote shut-off valves from fireplace. Usually there is a valve near the main. There may be more than (1) valve between the fireplace and the main.
- Low gas pressure. Low gas pressure can be caused by several situations such as a bent line, too narrow diameter pipe, or low line pressure. Consult with plumber or gas supplier.
- No LP in tank. Check LP (propane) tank. Refill if necessary.
- Wiring disconnection. Use wiring schematic in this manual to determine that all wiring connections are secure and correct.
- Pilot flame not making contact with flame rectification sensor on pilot assembly. This valve is equipped with a pilot flame adjustment screw. Adjust as necessary.
- Pilot adjustment screw not sealed. Seal pilot adjustment screw. Do not over tighten.

PILOT FLAME ALWAYS ON / WILL NOT EXTINGUISH

- CPI/IPI switch set to CPI position (down). Set switch to IPI position (up).

MAIN FLAME WILL NOT LIGHT

- Remote not working properly. Replace batteries.
- Remote set to thermostat mode and there is no call for heat. Adjust heat setting.
- Thermostat disconnected or set too high. Set thermostat to lower temperature setting.
- Ensure pilot flame will ignite. If not, see pilot flame troubleshooting above.
- Ensure pilot flame is properly located to ignite main flame.
- Plugged main burner orifice.
- Wiring disconnection / improper wiring. Check for faulty or incorrect wiring.
- Verify gas supply is turned on.
- Low gas pressure. Low gas pressure can be caused by several situations such as a bent line, too narrow diameter pipe, or low line pressure. Consult with plumber or gas supplier.

IPI TROUBLESHOOTING

PILOT AND BURNER EXTINGUISH WHILE IN OPERATION

- No LP in tank. Check and refill if necessary.
- Glass frame assembly not installed correctly. Refer to corresponding instructions in this manual.
- Improper vent cap installation. Adjust if necessary.
- Vent cap blockage. Remove debris if necessary.
- Improper pitch on horizontal vent. 1/4" (6mm) rise per foot is required on horizontal venting.
- Inner vent pipe leaking exhaust gases back into firebox. Check for leaks and repair if necessary.
- Excessive draft.

GLASS SOOTING

- Improper log placement. Refer to corresponding pages in this installation manual.
- Improper venturi setting. Venturi may need to be opened slightly to allow more air into the gas mix.
- Improper pitch on horizontal venting. 1/4" (6mm) rise per foot required on horizontal venting.

FLAME BURNS BLUE AND LIFTS OFF BURNER

- Improper venturi setting. Venturi may need to be closed slightly.
- Improper vent cap installation. Check for proper vent cap installation.
- Blockage or vent system leaks.

NO REACTION TO COMMAND

- Receiver or transmitter batteries low. Replace batteries.
- No communication between remote control and receiver. Reprogram transmitter to receiver. Follow INITIALIZING THE SYSTEM FOR THE FIRST TIME as outlined in this manual.
- A maximum number of failed ignitions or flame restorations have been reached. Reset DFC control board.
 1. Turn system off by pressing ON/OFF button on transmitter.
 2. After approximately 2 seconds press ON/OFF button on transmitter again.
 3. In manual flame mode, use down arrow button to reduce flame to off, indicated by the word OFF displayed on transmitter LCD screen.
 4. Wait approximately 2 seconds and press up arrow button, the ignition sequence will start.
 5. With the transmitter off, move slider switch on receiver to OFF position.
 6. Wait approximately 2 seconds and move receiver switch to ON position.

CONVERSION KIT INSTRUCTIONS (NCL-195)

#NCK-NCL-S NAT GAS CONVERSION KIT / #LCK-NCL-S LP GAS CONVERSION KIT

WARNING

This conversion kit shall be installed by a qualified service agency in accordance with the manufacturers instructions and all applicable codes and requirements of the authority having jurisdiction. If the information in these instructions is not followed exactly, a fire, explosion or productions of carbon monoxide may result, causing property damage, personal injury or loss of life. The qualified service agency is responsible for proper installation of this kit. The installation is not proper and complete until operation of the converted appliance is checked as specified in the manufacturer's instructions supplied with the kit. Refer to appliance owner's manual or product data plate for proper inlet and manifold pressure adjustments and orifice sizing.

Kit includes: (1) Gas Conversion Label (1) Pilot Injector NAT #62 / LP #35 (1) Gas Label
(1) Burner Orifice NAT #52 / LP #60 (1) Step Motor Pressure Regulator

CAUTION

THE GAS SUPPLY SHALL BE SHUT OFF PRIOR TO DISCONNECTING THE ELECTRICAL POWER, BEFORE PROCEEDING WITH THE CONVERSION.

WARNING

SHUT OFF GAS SUPPLY AND ELECTRIC POWER TO FIREPLACE.
SHUT OFF GAS SUPPLY BEFORE DISCONNECTING ELECTRIC POWER.

IMPORTANT

For high altitude installations: Above 2000ft. (610m) US / 4500ft. (1372m) Canada, consult the local gas distributor or authority having jurisdiction for proper de-rating methods.

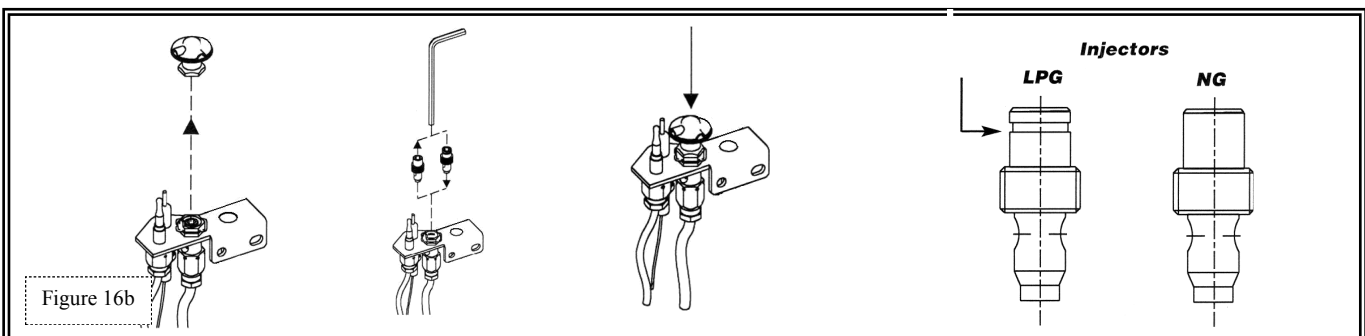
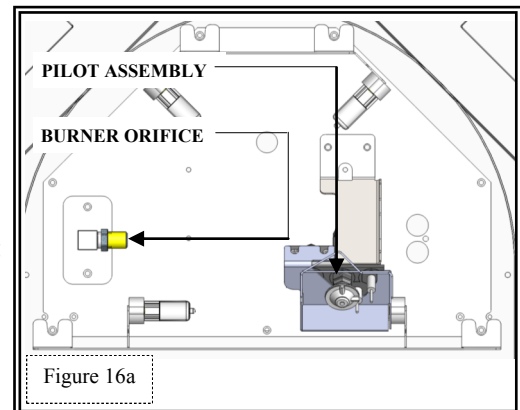
PREPARE FIREPLACE:

1. Remove decorative front, glass frame assembly, glass media and burner cover from fireplace.

REPLACE BURNER ORIFICE:

Remove existing orifice cap and replace with orifice cap included with kit, making sure to tighten cap securely. (Number stamped on orifice.).

NAT. GAS: #52 / LP GAS: #60



CONVERT PILOT ASSEMBLY:

1. Remove pilot hood by pulling it directly up from pilot bracket.
2. Insert 5/32" (4mm) hex key into hexagon key-way of injector, turn counter clockwise to remove from injector journal.
3. Place hex key into end of injector included with kit, install into injector journal, turning clockwise to a recommended torque of 9 lb-in. (1.0 Nm) is achieved. (LP injectors have groove around top, Nat injectors do not. Numbers are stamped on pilot injectors).
NAT: #62 / LP: #35
4. Align tab on base of pilot hood with slot in side of pilot journal. Push hood down, directly into pilot bracket. Hood must sit squarely for proper operation.

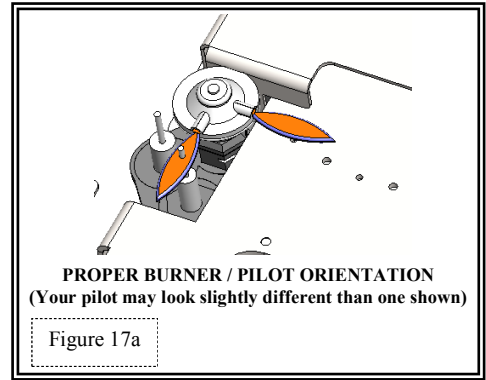
CONVERSION KIT INSTRUCTIONS

CONVERT THE GAS CONTROL VALVE:

Follow stepper motor pressure regulator instruction sheet included with conversion kit to convert gas valve. (LP or NAT marked on stepper motor pressure regulator).

COMPLETE THE CONVERSION:

- Adjust burner tube venturi to correct setting by loosening screws adjusting cap and retightening screw.
CORRECT SETTINGS: NAT: 1/8" (3mm) open / L.P: 5/8" (16mm) open
- Re-install burner cover making sure orifice is properly seated inside burner venturi. Secure with screw previously removed.
- Re-install glass media, being careful not to block pilot.
- Turn on gas and electrical supplies. Check for leaks at all connections with soapy water, whether field or factory made.
- Test inlet pressure. Visually check pilot flame. Flame should envelope top of flame sensor and extend onto burner far enough for proper ignition. To Adjust pilot: Turn pilot adjustment screw clockwise to decrease or counter-clockwise to increase pilot flame.
- Turn fireplace off.
- Affix gas type sticker to label.
- Re-install glass frame and contemporary frame.
- Verify proper ignition and operation of fireplace.
- Complete and affix 'Gas Conversion' label close to gas valve.



Fireplace Model No.: _____
 This appliance and control was converted on _____ to _____ gas with Kit No.: _____ by _____
 Company: _____
 Address: _____
 Which accepts responsibility that this conversion has been properly made.
 Minimum / Maximum inlet pressures: Refer to rating plate
 Manifold Pressure: Refer to rating plate.
 Orifice size: _____ Input Rating: _____ BTU
 Complete and affix as close as possible to rating plate.

**GAS CONVERSION LABEL
 (included with conversion kit)**

Figure 17b

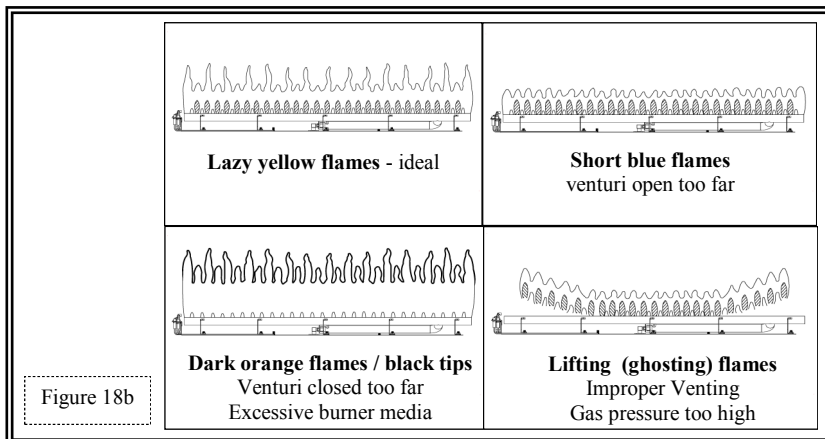
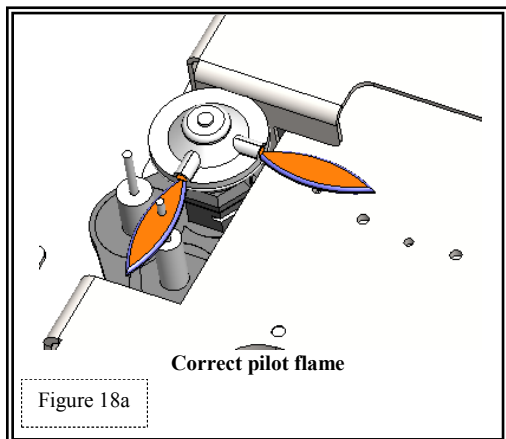
	<u>NATURAL GAS</u>	<u>LP GAS</u>
MINIMUM INLET GAS PRESSURE	5" WC (1.25 kPa) (7" WC (1.74 kPa) recommended)	11" WC (2.74 kPa) (recommended)
MAXIMUM INLET GAS PRESSURE	10.5" WC (2.62 kPa)	13" WC (3.24 kPa)
MANIFOLD PRESSURE (HI)	3.5" WC (.87 kPa)	10" WC (2.49 kPa)
MANIFOLD PRESSURE (LO)	1.6" WC (.40 kPa)	6.4" WC (1.59 kPa)

CONVERSION KIT INSTRUCTIONS

FLAME APPEARANCE:

Flame appearance is affected by several factors including altitude, venting configuration and fuel quality. Although the venturi setting has been factory set, adjustments may be necessary for optimal performance and visual aesthetics.

When fireplace is first lit, the flames will be blue. Flames will gradually turn yellowish-orange during first 15 minutes of operation. If flames remain blue, or become dark orange with evidence of sooting (black tips), the burner tube venturi may need adjustment.



WARNING

Burner tube adjustable venturi positioning should only be performed by a qualified professional service technician.

FACTORY SET BURNER TUBE VENTURI SETTINGS (ADJUST AS NECESSARY FOR YOUR INSTALLATION)

NATURAL GAS	LP (PROPANE) GAS
1/8" (3mm) open	5/8" (16mm) open

BURNER TUBE VENTURI ADJUSTMENT GUIDELINES

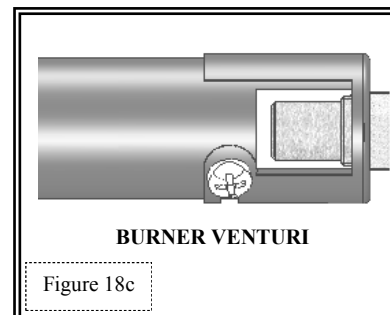
VENTURI POSITION	FLAME COLOR	VENTURI ADJUSTMENT
Closed too far	Dark orange flame with black tips	Open venturi setting slightly
Open too far	Blue flames	Close venturi setting slightly

IMPORTANT

SLIGHT ADJUSTMENTS TO BURNER VENTURI OPENING CREATE DRAMATIC RESULTS. ADJUST AT SLIGHT INCREMENTS UNTIL DESIRED LOOK IS ACHIEVED. ALWAYS BURN FIREPLACE FOR AT LEAST 15 MINUTES AND ALLOW TIME TO COOL BEFORE MAKING ANY FURTHER ADJUSTMENTS.

TO ADJUST VENTURI:

1. Remove decorative frame glass frame assembly, glass media, and burner assembly from fireplace.
2. Loosen burner venturi screw, make adjustment, retighten screw.
3. Re-install burner, making sure venturi is positioned over burner orifice.
4. Reinstall burner cover, glass media, and glass frame assembly.
5. Light fireplace. Wait at least 15 minutes before determining if any further adjustments are necessary.



MAINTENANCE

The appliance is required to be inspected at least once a year by a professional service person.

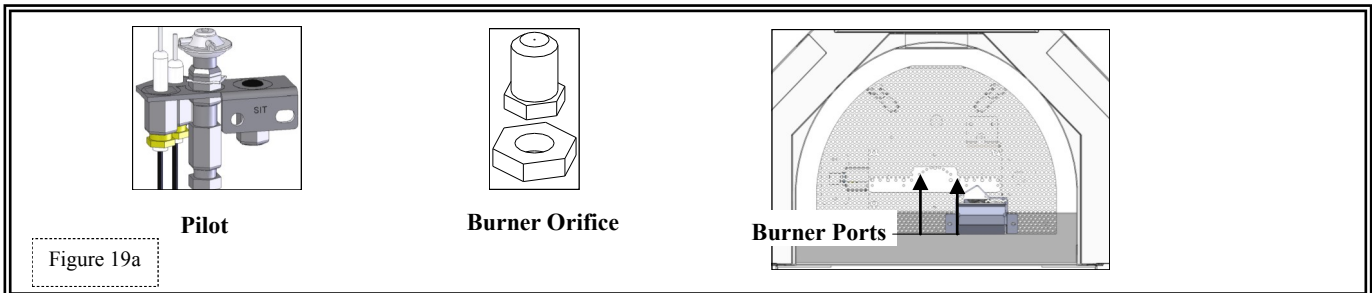
The compartment below firebox must be cleaned at least once a year, more frequent cleaning may be required due to excessive lint from carpeting, bedding materials, or other fibrous materials. Use a vacuum to clean all components at least once a year.

NOTE

INSTALLATION AND REPAIR SHOULD BE DONE ONLY BY QUALIFIED SERVICE PERSON. THE APPLIANCE SHOULD BE INSPECTED BEFORE USE AND ANNUALLY BY A QUALIFIED SERVICE PERSON. MORE FREQUENT CLEANING MAY BE REQUIRED DUE TO EXCESSIVE LINT FROM CARPETING, BEDDING MATERIALS, ETC. IT IS IMPERATIVE THAT CONTROL COMPARTMENTS, BURNERS AND CIRCULATION AIR PASSAGEWAYS OF THE APPLIANCE BE KEPT CLEAN.

CONTROL BOARD SYSTEM

- Annual cleaning of burner system is required. Vacuum all components thoroughly.
- Visually check for blocked port holes, especially near the pilot. Blocked port holes may cause delayed ignition.
- Visually check pilot light and burner when in operation. Flames should be steady, not lifting or floating.



FAN

The fan should be disconnected from electrical current, and cleaned (vacuumed) every six months. The bearings are sealed and require no oiling.

VENT SYSTEM

Annual examination of venting system by a qualified agency is required.

IF VENT-AIR INTAKE SYSTEM IS DISASSEMBLED FOR ANY REASON, RE-INSTALL PER INSTRUCTIONS PROVIDED WITH INITIAL INSTALLATION.

The flow of combustion and ventilation air must not be obstructed.

GLASS CLEANING & REPLACEMENT

- Clean glass only when cool and only with non-abrasive cleansers.
WARNING: DO NOT OPERATE APPLIANCE WITH GLASS/FRAME ASSEMBLY REMOVED, CRACKED OR BROKEN. REPLACEMENT OF THE GLASS SHOULD ONLY BE PERFORMED BY A LICENSED OR QUALIFIED SERVICE PERSON.
- Use protective gloves to handle any broken or damaged glass assembly components.
- The glass assembly, part #TWO-057T, shall only be replaced as a complete unit, as supplied by Hussong Mfg. Co., Inc.
- Replacement of glass & frame assembly, part #TWO-057T, must only be performed by a licensed or qualified service person.
DO NOT SUBSTITUTE MATERIALS.
- Do not strike or slam glass door assembly.

IMPORTANT

ANY SAFETY SCREEN OR GUARD REMOVED FOR SERVICING MUST BE REPLACED PRIOR TO OPERATING THE APPLIANCE.

CAUTION

LABEL ALL WIRES PRIOR TO DISCONNECTION WHEN SERVICING CONTROLS. WIRING ERRORS CAN CAUSE IMPROPER AND DANGEROUS OPERATION. VERIFY PROPER OPERATION AFTER SERVICING.

KEEP APPLIANCE AREA CLEAR OF COMBUSTIBLE MATERIALS, SUCH AS GASOLINE AND OTHER FLAMMABLE VAPORS AND LIQUIDS.

REPLACEMENT PARTS LIST

Replacement parts are available through your local dealer. Contact them for availability and pricing.

CONTROL BOARD AND PARTS

TWO-100	Control Board - Nat Gas	700-503	Valve Step Motor - Natural Gas
TWO-101	Control Board - LP Gas	700-503-1	Valve Step Motor - LP Gas
700-557	SIT IPI Valve - Natural	700-203	Manual Shut-off Valve
700-557-1	SIT IPI Valve - LP	700-213B	18" Flexible Gas Line-Black
700-552	Proflame DFC Board	700-226	Flexible Gas Line-Valve to Burner Connection
700-553	DFC Wire Harness Assembly	700-252	Natural Gas Orifice #52
700-551	Pilot Assembly - Natural Gas	700-260	LP Gas Orifice #60
700-551-1	Pilot Assembly - LP Gas	NCK-NCL-S	Natural Gas Conversion Kit
700-308R	Receiver	LCK-NCL-S	LP Gas Conversion Kit
700-558	GTMFS Wire Harness	NCL-135	Burner Assembly
700-130	Fan Control Module	NCL-043	Pilot Shield
700-308	Transmitter	700-992	Pilot Igniter (with wire)
700-166	#62 Natural Gas Pilot Orifice	700-993	Pilot Flame Sensor (with wire)
700-168	#35 LP Gas Pilot Orifice		

GLASS & GLASS GASKET

TWO-005	Replacement Valance
900-006	1-1/8" Glass gasket w/ adhesive
TWO-057T	Valance with 21" x 14" glass

FIREBOX LINER KIT

NCL-B-900	Black Enamel Firebox Liner Kit
-----------	--------------------------------

Hussong Manufacturing Co., Inc.
P.O. Box 577
204 Industrial Park Drive
Lakefield, MN 56150-0577
USA

NCL-195

www.kozyheat.com