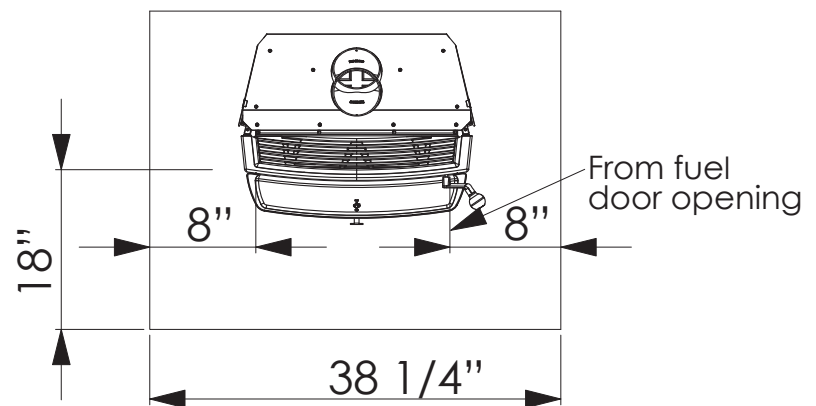
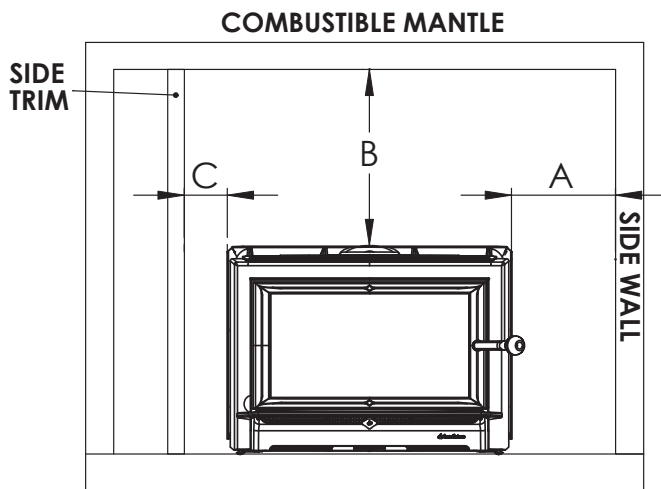
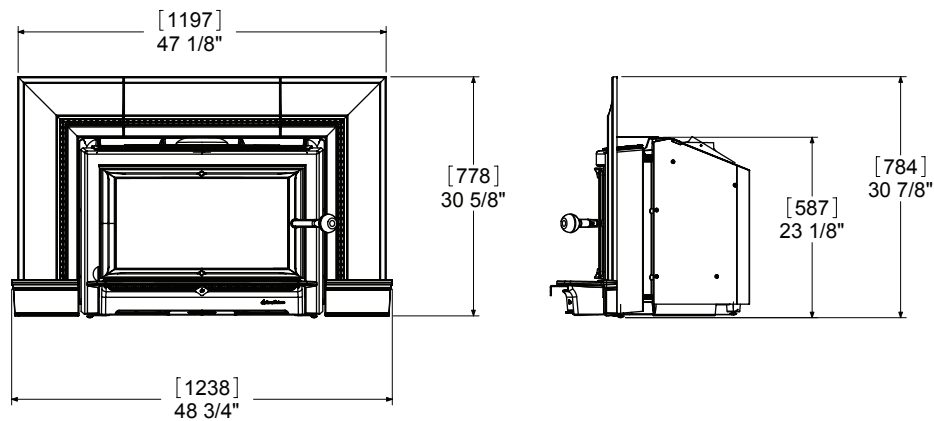
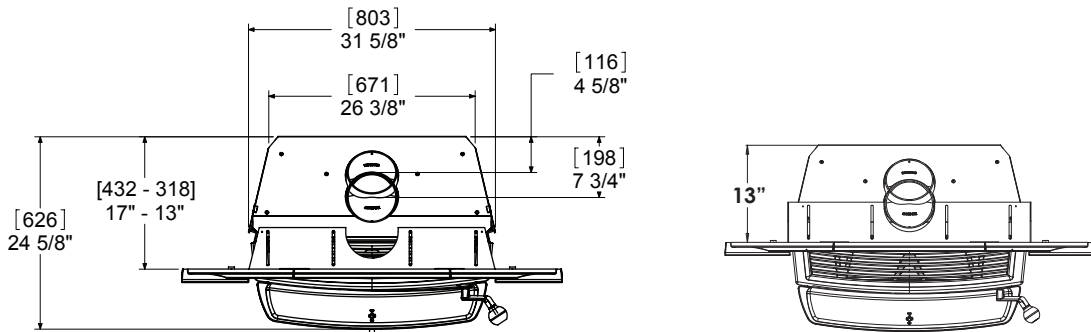


select collection

CLYDESDALE

WOOD



Side wall	A	12"
Mantle and top trim	B	27"
Mantle with mantle shield kit	B	11"
Side trim < or = 1/2" projection	C	9"

Hearth must be non-combustible material with "R-Value" at least 1.1