

# Installation Instructions

## Gas Fired Direct Vent Room Heater Inserts

Listed Certified for USA. and Canada

### Model Numbers:

**IDV26** – Stock Numbers: IDV26N, IDV26LP, IDV26NE, IDV26LPE  
Minimum Fireplace Opening Required: 33"W x 19-1/2"H x 14-1/4"D Components In  
28"W x 19-1/2"H x 14-1/4"D Components Out

**IDV33** - Stock Numbers: IDV33N, IDV33NE, IDV33LP, IDV33LPE  
Minimum Fireplace Opening Required: 26-1/4"W x 21-3/8"H x 14-3/8"D

**IDV36** – Stock Numbers: IDV36N, IDV36NE, IDV36LP, IDV36LPE  
Minimum Fireplace Opening Required: 30-3/4"W x 25-5/8"H x 14-3/8"D

Are Certified to: ANSI Z21.88-2009, CSA 2.33-2009, CGA 2.17-M91



**INSTALLER:** Leave this manual with the appliance.  
**CONSUMER:** Retain this manual for future reference.

This appliance may be installed in an aftermarket permanently located, manufactured home (USA only) or mobile home, where not prohibited by local codes.

This appliance is only for use with the type of gas indicated on the rating plate. This appliance is not convertible for use with other gases, unless a certified kit is used.

**Read this complete manual before beginning installation.  
These instructions must be kept with the unit for future reference.**

## FOR YOUR SAFETY

**⚠ WARNING:** If the information in these instructions is not followed exactly, a fire or explosion may result causing property damage, personal injury or loss of life.

**⚠ Warning:** Improper installation, adjustment, alteration, service or maintenance can cause property damage, personal injury or loss of life. Refer to this manual. Installation and service must be performed by a qualified installer, service agency or the gas supplier.

Do not store or use gasoline or other flammable vapors and liquids in the vicinity of this or any other appliance.

### -What To Do If You Smell Gas

- Do not try to light any appliance.
- Extinguish any open flame.
- Do not touch any electrical switch.
- Do not use any phone in your building.
- Immediately call your gas supplier from a neighbor's phone. Follow the gas supplier's instructions.
- If you can not reach your gas supplier, call the fire department. Installation and service must be performed by a qualified installer, service agency or the gas supplier.

**⚠ WARNING:** The IDV26/IDV33/IDV36 Fireplace Insert was designed for installation in a solid fuel fireplace that has been installed in accordance with national, provincial/state and local building codes and is constructed of noncombustible materials. Do not remove any refractory materials from any masonry solid fuel fireplace.

The IDV26/IDV33/IDV36 Fireplace Insert was designed for installation in a zero clearance type listed solid fuel burning factory built fireplace. It may be necessary to remove the damper plate, refractory liners, log grates, glass door, and screen rails/mesh. Removal of the smoke baffle is necessary in most cases.

### ⚠ WARNING



**HOT GLASS WILL CAUSE BURNS.  
DO NOT TOUCH GLASS UNTIL COOLED.  
NEVER ALLOW CHILDREN TO TOUCH GLASS.**

A Division of R-Co. Inc.  
2340 Logan Avenue  
Winnipeg, Manitoba, Canada R2R 2V3  
Ph: (204) 632-1962



## Pre-installation Questions and Answers

### About curing of the paint

Your stove or fireplace has been painted with the highest quality silicone stove paint. This paint dries quickly in 15-20 minutes when first applied at the factory. However, due to the high temperature silicone components, the paint will cure when heat is applied to the appliance as it is first used. The following information applies to the curing process to get the paint fully hard and durable.

Fire the appliance four successive times for 10 minutes each firing and a 5 minute cool down between each. Be aware during log and firebox paint curing that a white deposit may be developing on the inside of the glass doors. It is important to remove this white deposit from the glass doors using a commercial fireplace glass cleaner.

- Babies, small children, pregnant women and pets should leave the area during the cure phase.
- Ventilate well, open doors and windows.
- Do not touch during curing.

### Why does my fireplace or stove give off odour?

It is normal for your fireplace to give off some odour. This is due to the curing of the paint, adhesives, silicones and any undetected oil from the manufacturing process as well as the finishing materials used with the installations (e.g. marble, tile and the adhesives used to adhere this product to the walls can react with heat and cause odours).

It is recommended that you burn your gas fireplace or stove for a minimum of four hours at a time with the fan off (if a fan is present) after the curing of the paint has been completed. These odours can last upward to 40 hours of burn time; keep burning at a minimum of four hours per use until odours dissipate.

### Noise coming from the fireplace?

Noise is caused by the expansion and contraction of metal as the appliance heats up and cools down. This is normal and is similar to the sounds produced by a furnace or heating duct. This noise does not affect the operation or longevity of your fireplace.

## Operating Instructions

1. Be sure to read and understand all the instructions in this manual before operation of appliance.
2. Ensure all wiring is correct and properly enclosed to prevent possible shock.
3. Check for gas leaks.
4. Make sure the glass door is properly installed before operation. Never operate the appliance with the glass door removed.
5. Make sure venting and termination cap are installed and unobstructed.
6. If brick or porcelain liners are used, ensure they are installed.
7. Verify that the pilot can be seen when lighting the appliance. If not, the log or rock placement is incorrect.
8. If the unit is turned off, you must wait a minimum of 60 seconds before re-lighting it.
9. The pilot should be lit ½ hour before turning on appliance.
10. The pilot should be left on during the heating season.

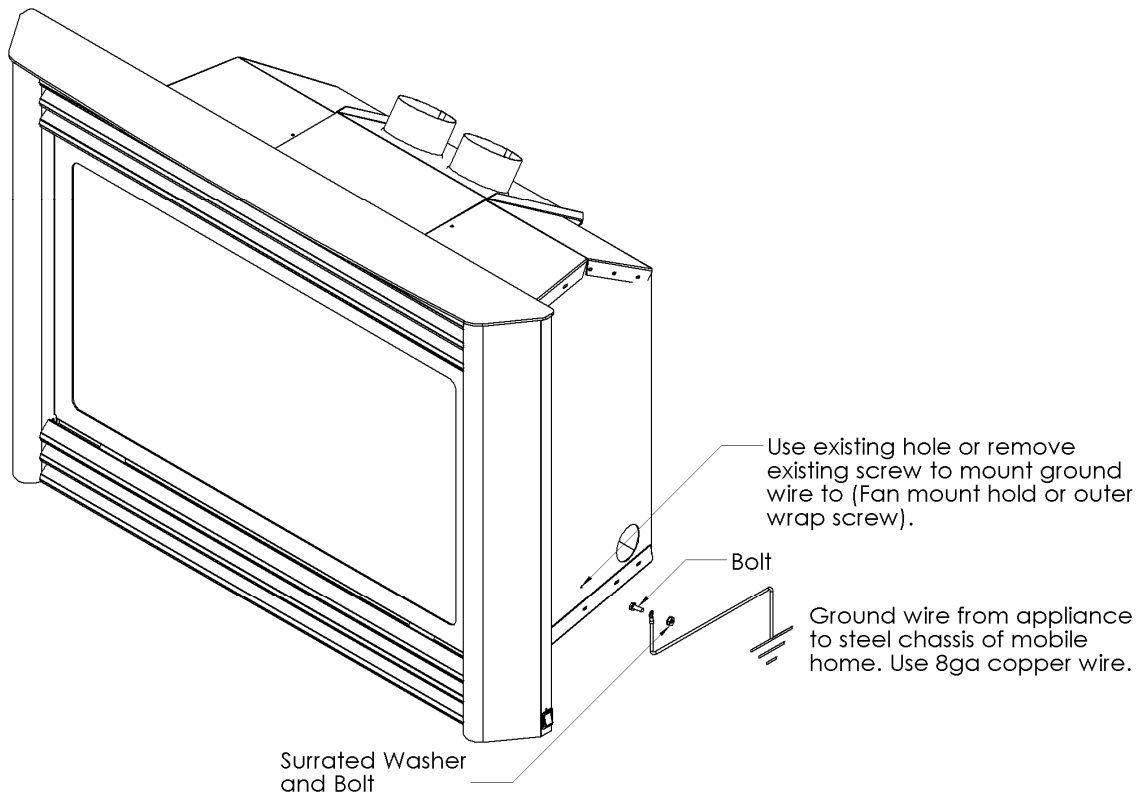
# Table of Contents

Pre-installation Questions and Answers.....	2
Operating Instructions.....	2
Table of Contents.....	3-4
Mobile Home/Manufactured Housing Installation.....	5
Warnings, Installations and Operations.....	6
Installation Requirements for the Commonwealth of Massachusetts.....	7
Important Information.....	8
IDV26 Insert Dimensions and Sizing.....	9
I26CV Clean View and Surround Sizes.....	10
I26CV1DS Designer Door.....	11
I26SU Universal Surround.....	12-13
I26CV Surround Installation / Clean View (CV) Attachment / Valve Access.....	14
I26S1 / I26SPF1 / I26SU Surround Installation.....	15
I26CV2 / I26CVPF2 Wide Clean View Installation.....	16
I26CV2 / I26CVPF2 Wide Clean View Installation -Components Out-.....	17
IDV33 Insert Dimensions and Sizing.....	18
I33CV Clean View and Surround Sizes.....	18
I33LK Louver Kit and Surround Sizes.....	19
IDV36 Insert Dimensions and Sizing.....	20
I36CV Clean View and Surround Sizes.....	20
I36LK Louver Kit and Surround Sizes.....	21
I33CV/I36CV Front Face and Surround Attachment Installation.....	22
I33LK/I36LK Front Face Attachment Installation.....	23
Surround Installation for IDV33/IDV36 Fronts.....	24
IDV26 / IDV33 / IDV36 Wall Coverings.....	25
IDV26/IDV33/IDV36 Clearance to Combustible Mantels.....	26
Venting.....	27
Installation of Vent Pipe.....	28
Insulation of Chimney Cavity IDV26 / IDV33 / IDV36.....	29
IPI (Intermittent Pilot Ignition) Appliances Cold Climate Mode.....	29
IDV26 / IDV33 / IDV36 Riser Kit and Leveling Instructions.....	30
Glass Door Information.....	31
IDV26PRL - Porcelain Liner Panels-.....	32
IDV26RL - Brick Liner Panels-.....	33
IDV33 & IDV36 Brick Liners.....	34
IDV33/36PL- Liner Panels -Generation 1.....	34
IDV33/36PRL Removing and Installing Generation 2 Liner Panels.....	35
IDV33 / IDV36 Overlay and Double Door Installation.....	36
Gas Line Installation.....	37
IDV33 / IDV36 Burner Installation/Removal.....	38
IDV26 Burner Installation/Removal.....	38-39
IDV26 - <b>Millivolt</b> - Control Components Outside the Opening- COMPONENTS OUT.....	40-41
IDV26 - <b>IPI</b> - Control Components Outside the Opening- COMPONENTS OUT.....	41-42
IDV26 Fan Speed Control Outside COMPONENTS OUT.....	43
IDV26 Optional Fan Removal / Wiring.....	44-45
IDV33 / IDV36 Fan Installation/Removal.....	46
IDV33/IDV36 Insert Burner Component List.....	47

Millivolt System, Lighting, and Burner Control.....	48
IDV26 Remote Receiver Location.....	49
IPI Electronic Ignition System.....	50-52
Electronic Ignition Lighting Instructions.....	53
IDV26 LOGF26.....	54
IDV26 LOGF27.....	55
Log Placement – LOGF35.....	56
Log Placement – LOGF36.....	57
MQRSP4 / MQRSP8 Rock and Glass Support Platform Installation IDV26 / IDV33 / IDV36.....	58
RSP10 Glass Support Platform -Installation IDV26 / IDV33 / IDV36.....	59
MQROCK2 / MQROCK3 -MQRSP4 IDV26 / IDV33 / IDV36.....	60-61
MQStone MQRSP8 IDV26 / IDV33 / IDV36.....	62
Glass Ember / MQ Ember Installation -MQRSP8 / RSP10- IDV26 / IDV33 / IDV36.....	63
Burner System Maintenance.....	64
Conversion Kit Instructions – PART A.....	65
Gas Conversion for Top Convertible Pilot (Series 019065X) – PART B.....	66
Gas Conversion for Modulator – PART C.....	67
Troubleshooting the Gas Control System.....	68
IDV26 Parts List.....	69
IDV33 Parts List.....	69-70
IDV36 Parts List.....	70
Parts for IDV26/ IDV33/ IDV36.....	71
Parts for IDV26/ IDV33/ IDV36 Venting.....	71
Limited Lifetime Warranty.....	72

## Mobile Home/Manufactured Housing Installation

This Direct Vent System Appliance must be installed in accordance with the manufacturer's installation instructions and the Manufactured Home Construction and Safety Standard Title 24 CFR, Part 3280, or the current Standard for Fire Safety Criteria for Manufactured Home Installation, Sites, and Communities ANSI/NFPA 501A, and with CAN/CSA Z240 MH Mobile Home Standard in Canada.



### **THIS APPLIANCE MAY BE INSTALLED IN MANUFACTURED (MOBILE) HOMES AFTER FIRST SALE.**

Please follow the current ANSI/NFPA 70 National Electrical Code in the USA and CAN/CSA C22.1 Canadian National Electrical Code in Canada.

An appliance must be grounded to the steel chassis of the home with 8ga. copper wire using a serrated or star washer to penetrate paint or protective coating to insure grounding.

Use carriage bolt at the attachment point (see diagram above) to secure the appliance to the floor.

Bedroom approved.



**Warning: Do not compromise the structural integrity of the manufactured home wall, floor or ceiling, during installation of appliance or venting.**

*For required venting components see venting installation in appropriate section of this manual.*

# Warnings, Installations and Operations

## Installation Regulations

This gas appliance must be installed by a qualified installer in accordance with local building codes, or in the absence of local codes, with the current CAN/CSA-B149.1 or .2 Installation Code (in Canada) or the current National Fuel Gas Code Z223.1- NFPA 54 when installed in the United States.

This appliance, when installed, must be electrically connected and grounded in accordance with local codes, or in the absence of local codes, with the current CSA C22.1 Canadian Electrical Code or with the National Electrical Code; ANSI/NFPA 70 when installed in the United States.

In the U.S.A. Thermostats are not permitted for Vented Gas Fireplaces (ANSI Z21.50b-Decorative).



## WARNING

### FOR SAFE INSTALLATION AND OPERATION OF YOUR GAS FIREPLACE PLEASE NOTE THE FOLLOWING:

1. Do not clean when the glass is hot.
2. Do not use abrasive cleaners.
3. Using a substitute glass will void all product warranties.
4. For safe operation, glass doors must be closed.
5. When purging the gas line, the glass front must be removed.
6. Do not strike or abuse glass. Take care to avoid breakage.
7. Do not alter gas orifice.
8. No substitute materials may be used other than factory supplied components.
9. This appliance gives off high temperatures and should be located out of heavy traffic areas and away from furniture and draperies.
10. Children and adults should be alerted to the hazards of the high surface temperatures of this appliance and should stay away to avoid burns or ignition of clothing.
11. Young children should be carefully supervised when they are in the same room as the appliance. Toddlers, young children and others may be susceptible to accidental contact burns. A physical barrier is recommended if there are at risk individuals in the house. To restrict access to a fireplace or stove, install an adjustable safety gate to keep toddlers, young children and other at risk individuals out of the room and away from hot surfaces.
12. Under no circumstances should any solid fuels (wood, paper) be used in this appliance.
13. Under no circumstances should this appliance be modified. Any parts that have to be removed for servicing should be replaced prior to operating this appliance.
14. Any safety screen or guard removed for servicing an appliance must be replaced prior to operating the appliance.
15. Installation and repair should be done by a qualified service person. The appliance should be inspected before use and at least annually by a professional service person. More frequent cleaning may be required due to excessive lint from carpeting, bedding material, et cetera. It is imperative that control compartments, burners and circulating air passageways of the appliance be kept clean. Make sure that the gas valve and pilot light are turned off before you attempt to clean this unit.
16. Clothing or other flammable material should not be placed on or near the appliance. This appliance should not be used as a drying rack for clothing nor should Christmas stockings or decorations be hung from it.
17. Do not use this heater if any part has been under water. Immediately call a qualified service technician to inspect the heater and to replace any part of the control system and any gas control which has been under water.
18. Do not operate appliance unless completely installed as per installation instructions.
19. Failure to position the parts in accordance with these diagrams or failure to use only parts specifically approved with this appliance may result in property damage or personal injury.
20. Do not operate appliance with the glass front removed, cracked or broken. Replacement of the glass should be done by a licensed or qualified service person.
21. The front of the fireplace gives off high temperatures that could ignite combustible material which is kept close to the front of the unit.
22. Ensure that power to the Fireplace is turned off before servicing.
23. Do not operate this Fireplace without the glass front or with a broken glass.
24. Improper installation, adjustment, alteration, service or maintenance can cause injury or property damage. Refer to the owner's information manual provided with this appliance. For assistance or additional information consult a qualified installer, service agency, or the gas supplier.
25. Operation of this appliance when not connected to a properly installed and maintained venting system or tampering with the blocked vent shutoff system can result in carbon monoxide (CO) poisoning and possible death.
26. This appliance is equipped with a three-prong (grounding) plug for your protection against shock hazard and should be plugged directly into a properly grounded three-prong receptacle. Do not cut or remove the grounding prong from this plug.



## WARNING



**HOT GLASS WILL  
CAUSE BURNS  
DO NOT TOUCH GLASS  
UNTIL COOLED.  
NEVER ALLOW CHILDREN  
TO TOUCH GLASS.**

- Gas fired appliances may be used only for supplemental heat and/or decorative purposes and under no circumstances shall they provide a primary heat source.
- This appliance must not be connected to a chimney flue serving a separate solid-fuel burning appliance.

NOTE: It is recommended that a Carbon Monoxide (CO) Detector be installed in or near bedrooms and on all levels of your home. Place a detector about 15ft [4.5m] outside the room that houses your gas appliance.

**Certified for installation in a bedroom or bed/sitting room. In Canada must be installed with listed millivolt thermostat.**

**In the U.S.A. Thermostats are not permitted for Vented Gas Fireplaces (ANSI Z21.50b-Decorative).**

**In USA see local codes.**

## Operations and Maintenance Instructions

For safe installation and operation note the following:

- Venting systems should be periodically examined by a qualified agency.
- The flow of combustion and ventilation air must not be obstructed.
- The Burner/Log Assembly has been engineered and permanently adjusted for proper flame control.
- Periodically remove the logs from the grate assembly and vacuum any loose particles from the grate and burner areas. See Log Placement page to remove logs. Vacuum burner parts and replace logs.
- Never use your gas fireplace as a cooking device.
- Label all wires prior to disconnection when servicing controls. Wiring errors can cause improper and dangerous operation. Verify proper operation after servicing.

## Installation Requirements for the Commonwealth of Massachusetts

In the Commonwealth of Massachusetts, the installer or service agent shall be a plumber or gas fitter licensed by the Commonwealth.

When installed in the Commonwealth of Massachusetts or where applicable codes; the unit shall be installed with a CO detector per the requirements listed below.

1. For direct-vent appliances, mechanical-vent heating appliances or domestic hot water equipment, where the bottom of the vent terminal and the air intake is installed below four feet above grade the following requirements must be satisfied:
  - A. If there is not one already present, on each floor level where there are bedroom(s), a carbon monoxide detector and alarm shall be placed in the living area outside the bedroom(s). The carbon monoxide detector shall comply with NFPA 720.
  - B. A carbon monoxide detector shall be located in the room that houses the appliance or equipment and shall:
    - Be powered by the same electrical circuit as the appliance or equipment such that only one service switch services both the appliance and the carbon monoxide detector;
    - Have battery back-up power;
    - Meet ANSI/UL 2034 Standards and comply with NFPA 720; and
    - Have been approved and listed by a Nationally Recognized Testing Laboratory as recognized under 527 CMR.
  - C. A Product-approved vent terminal must be used, and if applicable, a Product-approved air intake must be used. Installation shall be in strict compliance with the manufacturer's instructions. A copy of the installation instructions shall remain with the appliance or equipment at the completion of the installation.
  - D. A metal or plastic identification plate shall be mounted at the exterior of the building, four feet directly above the location of vent terminal. The plate shall be of sufficient size to be easily read from a distance of eight feet away, and read "Gas Vent Directly Below".
2. For direct-vent appliances, mechanical-vent heating appliances or domestic hot water equipment where the bottom of the vent terminal and the air intake is installed above four feet above grade the following requirements must be satisfied:
  - A. If there is not one already present, on each floor level where there are bedroom(s), a carbon monoxide detector and alarm shall be placed in the living area outside the bedroom(s). The carbon monoxide detector shall comply with NFPA 720.
  - B. A carbon monoxide detector shall:
    - Be located in the room that houses the appliance or equipment;
    - Be either hard-wired or battery powered or both; and
    - Shall comply with NFPA 720.

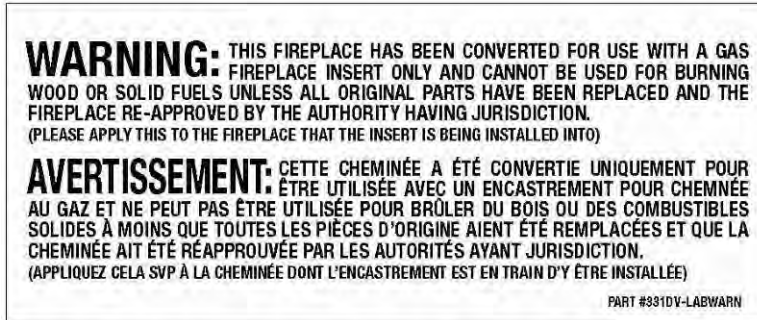
A Product-approved vent terminal must be used, and if applicable, a Product-approved air intake must be used. Installation shall be in strict compliance with the manufacturer instructions. A copy of the installation instructions shall remain with the appliance or equipment at the completion of the installation.

For the state of Massachusetts a **T-handle gas shut-off valve** must be used on a gas appliance. This T-handle gas shut-off valve must be listed and approved by the state of Massachusetts. This is in reference to the state of Massachusetts state code CMR238.

## Important Information

### INSTALLATIONS

- The following label (supplied with the gas fireplace insert) must be attached with rivets or screws to the inside of the firebox of the fireplace into which it is installed:



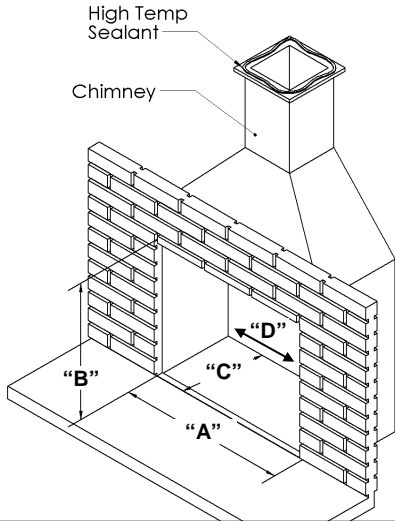
- Cutting any sheet-metal parts of the fireplace, in which the gas fireplace insert is to be installed, is prohibited.
- If the factory-built fireplace has no gas access hole(s) provided, an access hole of 1.5 in (37.5 mm) or less may be drilled through the lower sides or bottom of the firebox in a proper workmanship like manner. This access hole must be plugged with non-combustible insulation after the gas supply line has been installed.
- The fireplace flue damper can be fully blocked open or removed for installation of the gas fireplace insert.
- Ensure that existing chimney cleanouts fit properly.
- refractory, glass doors, screen rails, screen mesh and log grates can be removed from the fireplace before installing the gas fireplace insert.
- Smoke shelves, shields and baffles may be removed if attached by mechanical fasteners.
- Trim panels or surrounds must not seal ventilation openings in the fireplace.
- The fireplace and fireplace chimney must be clean and in good working order and constructed of non-combustible materials.

### MAINTENANCE

- If for any reason the vent air intake system is disassembled, re-install and re-seal per the instructions provided for the initial installation. See "Installation of Vent Pipe" section.
- It is recommended to annually inspect and clean the Burner System to prevent malfunction and / or sooting. This operation should be performed by your dealer or a qualified technician. Refer to Burner System Maintenance section.
- Venting systems should be periodically examined by a qualified agency.
- Periodically remove the logs from the grate assembly and vacuum any loose particles from the grate and burner areas. See Log Placement page to remove logs. Vacuum burner parts and replace logs.



# IDV26 Insert Dimensions and Sizing

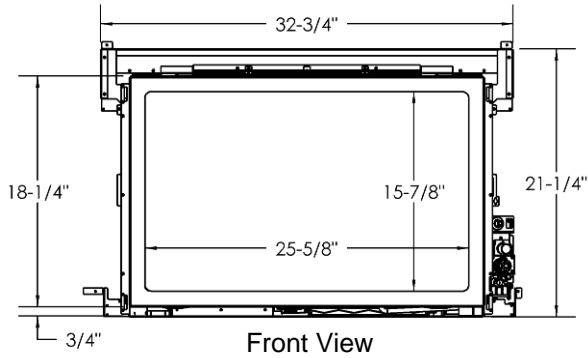


Minimum Opening Dimensions		
Dimension	Components In	Components Out
"A" Front Width:	33" Centered in existing fireplace *31" Not Centered in existing fireplace	28"
"B" Height:	19-1/2"	19-1/2"
"C" Depth:	14-1/4"	14-1/4"
"D" Back Width:	22"	22"

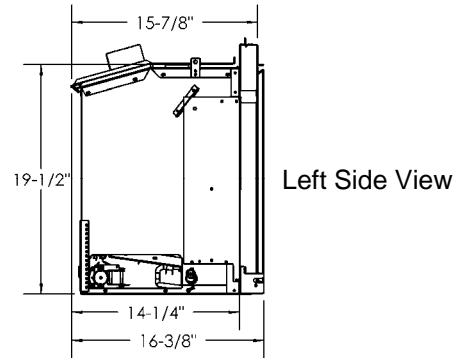
**Note:** Valve Control Components can be placed either inside the opening (**Components In**) or outside the opening (**Components Out**). Units are shipped with Control Components in.

For instructions on changing to Components Out refer to **Control Components Outside the Opening- COMPONENTS OUT**.

## Base Model



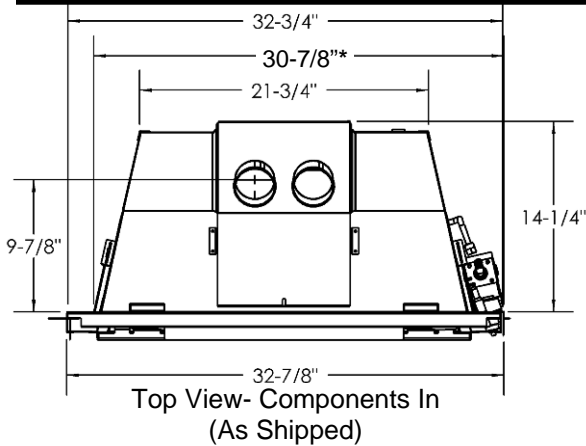
Front View



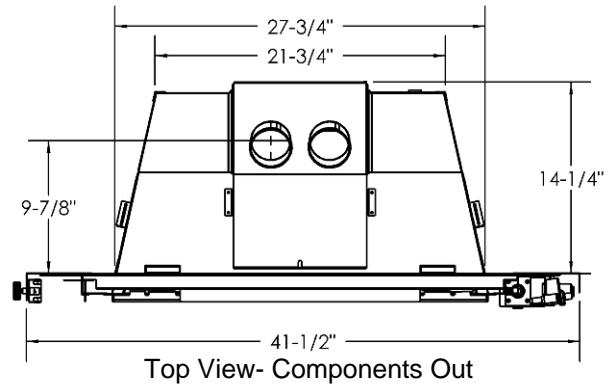
Left Side View

## Components In

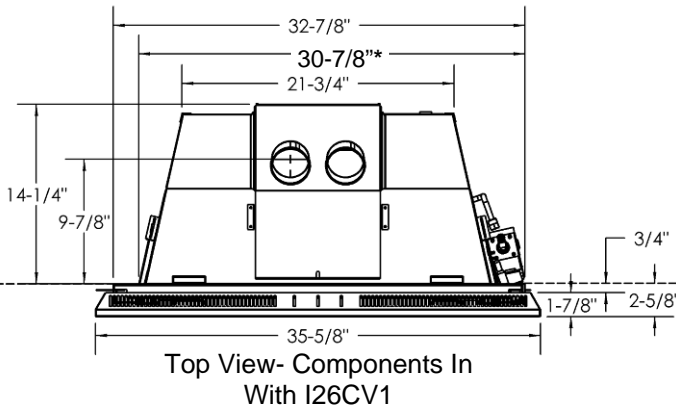
## Components Out



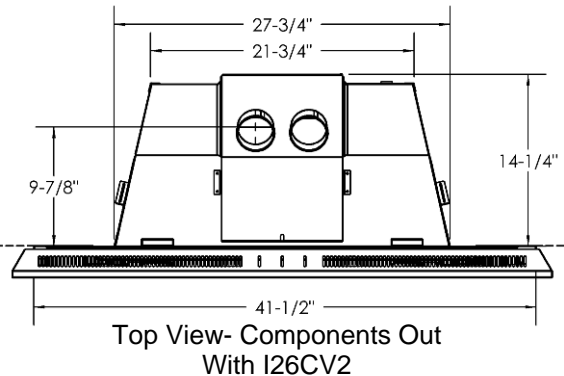
Top View- Components In (As Shipped)



Top View- Components Out



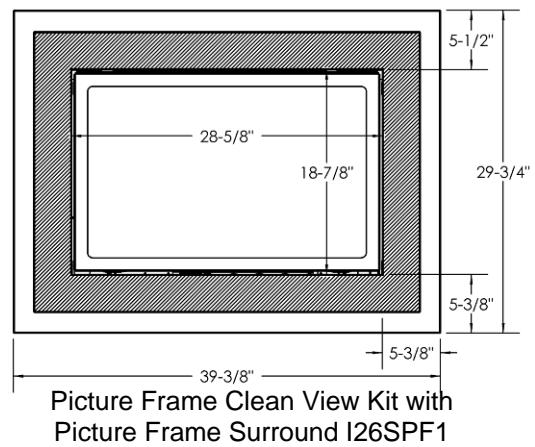
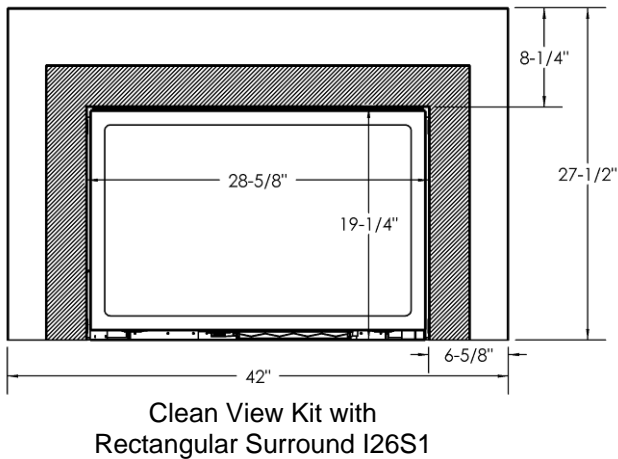
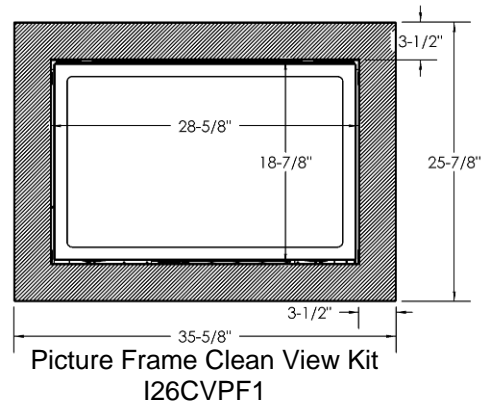
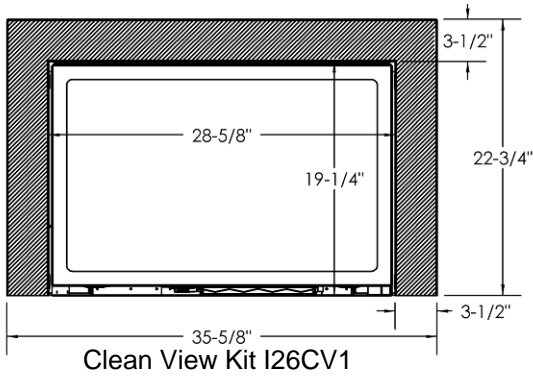
Top View- Components In With I26CV1



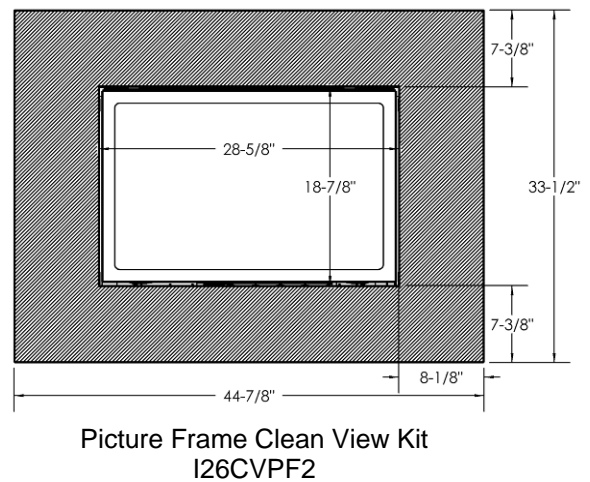
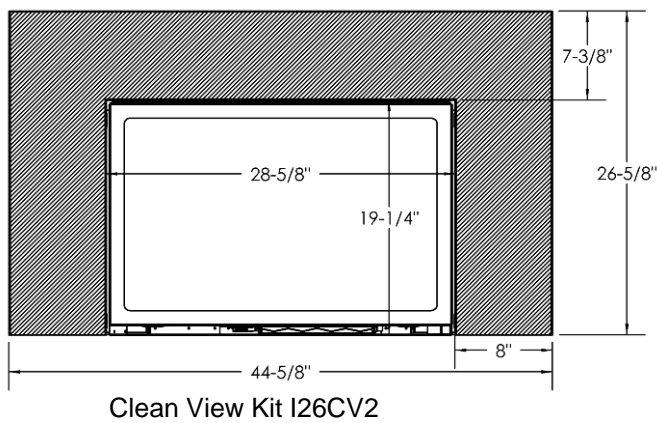
Top View- Components Out With I26CV2

## I26CV Clean View and Surround Sizes

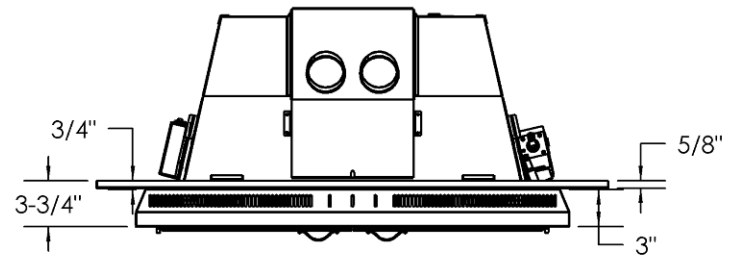
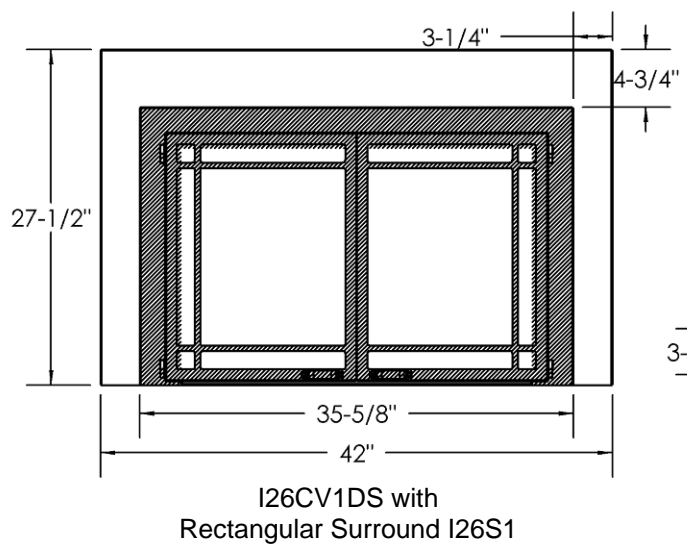
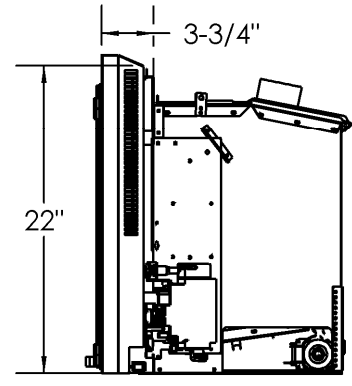
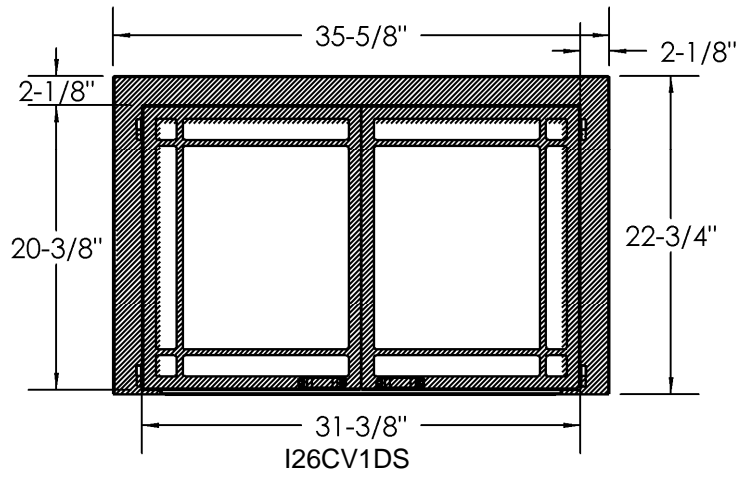
\*The Clean Views and Surrounds in this section must be used with Valve Control Components inside the opening (as shipped).



\*The Clean Views in this section can be used with Valve Control Components inside or outside the opening, HOWEVER- if controls are outside, these Clean Views MUST be used to cover valve controls.



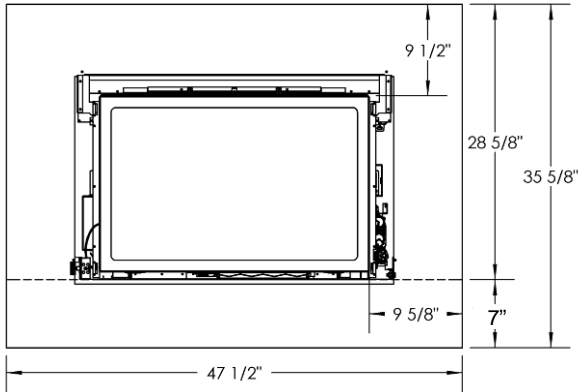
\*The Clean View Designer Door and optional surround in this section must be used with Valve Control Components inside the opening (as shipped).



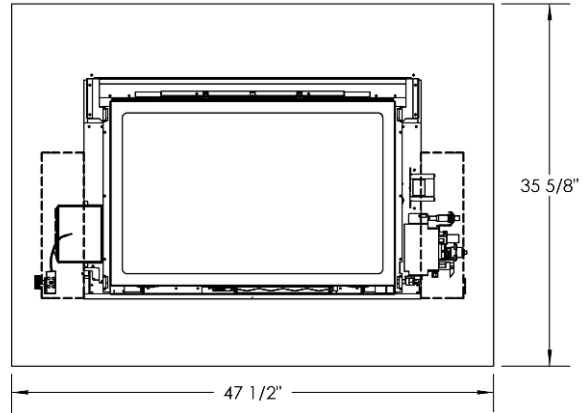
A Universal Surround is available for the IDV26. This is provided as a flat sheet which mounts onto the unit and is to be cut to size and formed by the installer. Flat Surround Shown dimensioned.

Components In

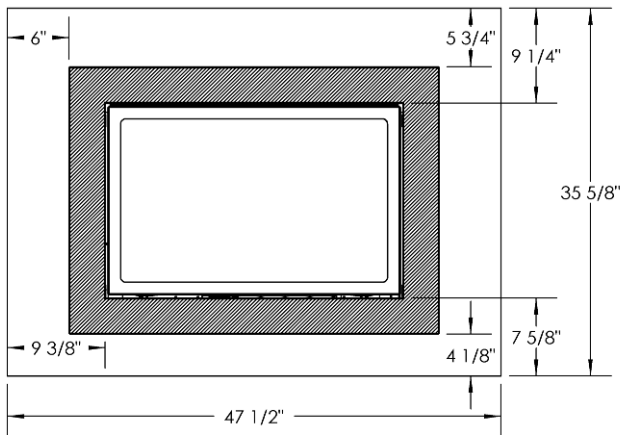
Components Out



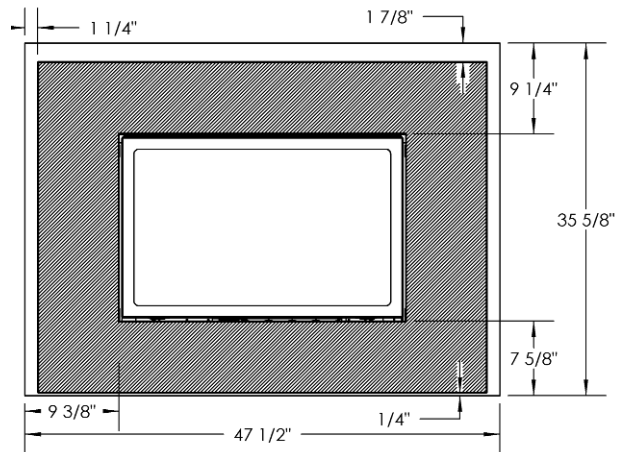
I26SU installed on unit.



I26SU must be trimmed to fit around Valve Control Components.

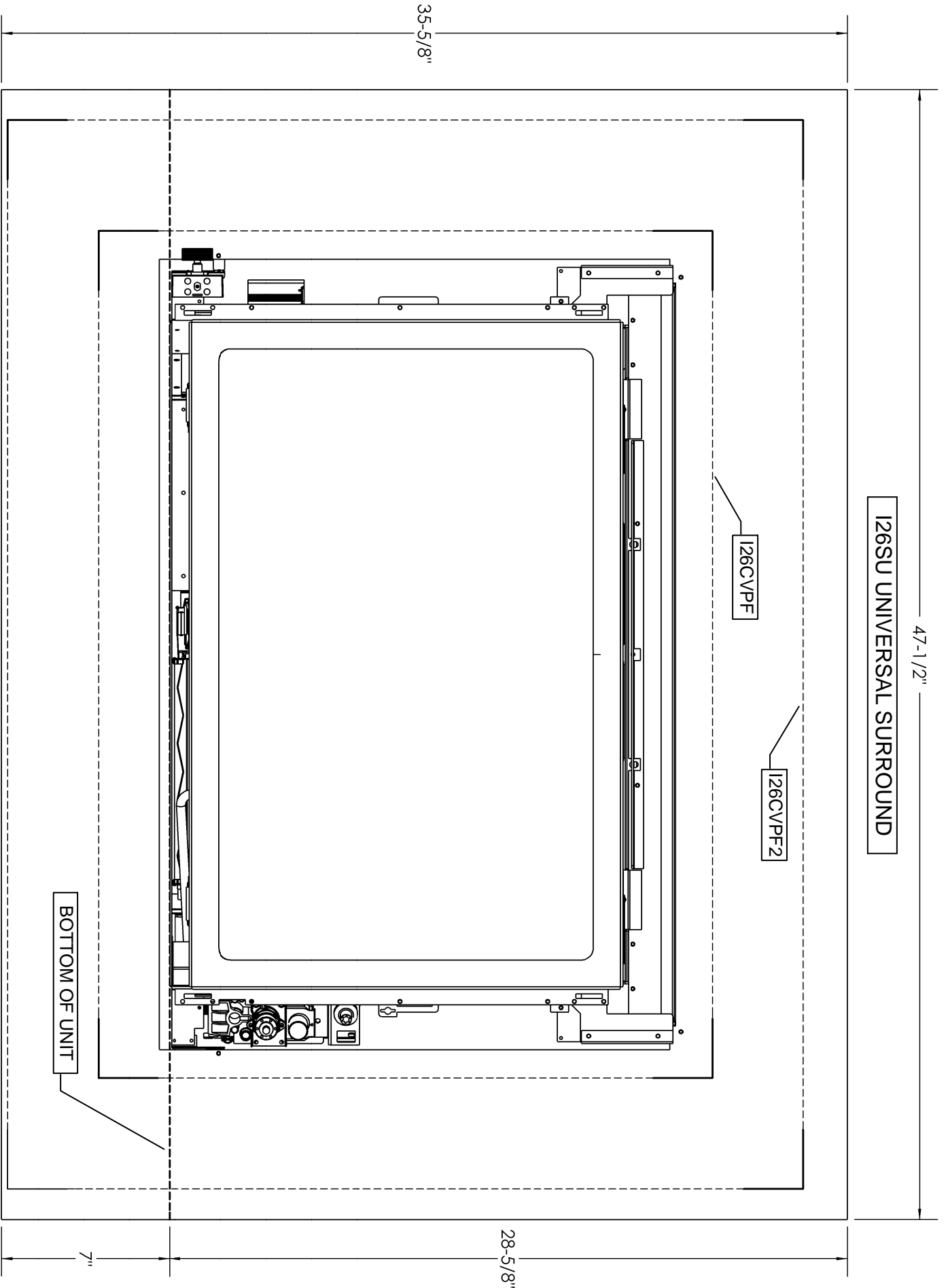


Picture Frame Clean View Kit I26CVPF1  
With Universal Surround I26SU



Picture Frame Clean View Kit I26CVPF2  
With Universal Surround I26SU

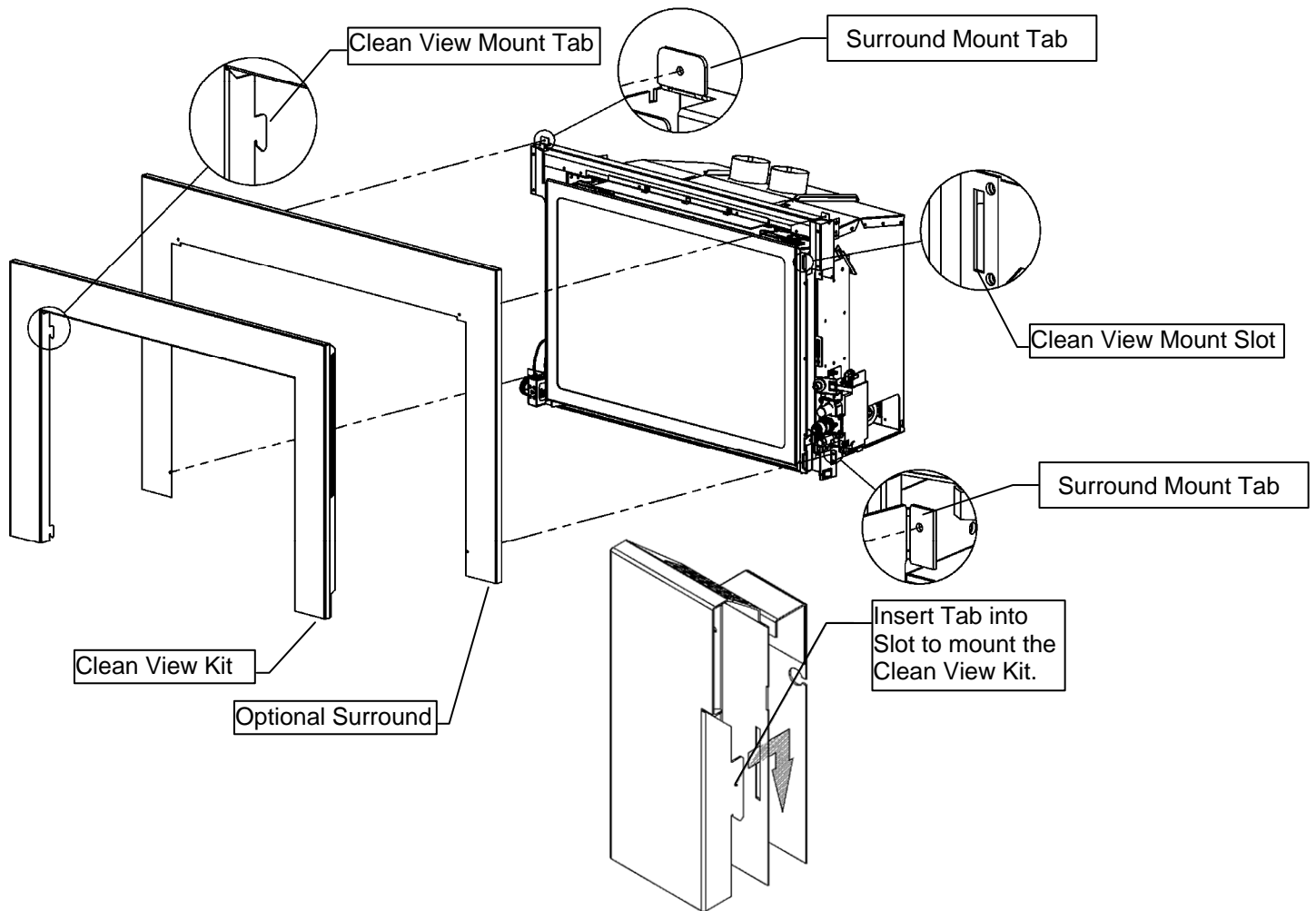
Refer to Worksheet on next page to trim for use as a 3-sided surround or for a custom layout.



## I26CV

- Surround Installation
- Clean View (CV) Attachment
- Valve Access

1. **Optional Surround Kit (I26S, I26SPF, I26SU)** is fastened to the insert by pulling up [4] Surround Mount Tabs on the unit and using [4] #6 screws provided with surround.
2. Insert the **Clean View (I26CV1, I26CV2, I26CVPF1, I26CVPF2, I26CV1DS)** Mounting Tab into the Clean View Mounting Slots (four [4] places) and lower the Clean View kit into place.
3. **Valve Access:** To access valve simply remove Clean View. Replace Clean View as per item [2] above once adjustments to valve have been completed.



**NOTE: The Clean View Surround needs to be removed in order to access the Glass Door, access the valve, and service the unit.**

Valve positioned as per manufacturer's instructions.

Component List: I26S1 / I26SPF1 / I26SU Surround, [Qty 4] #6 Black Combo Screws

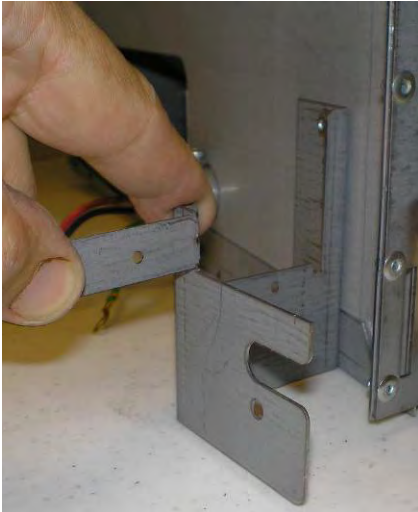
**Bend Up All 4 Mount Tabs**



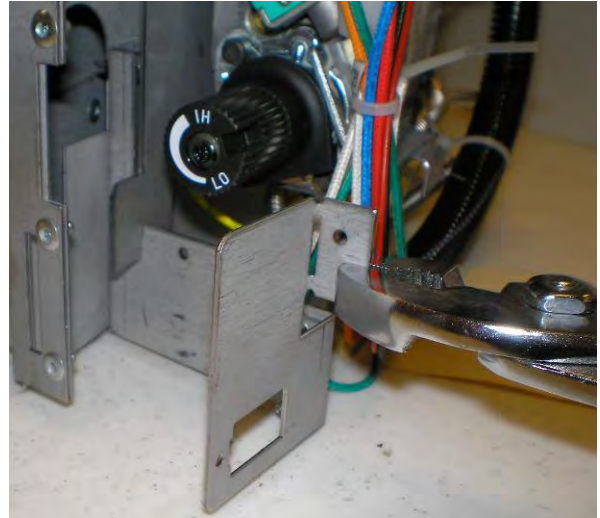
Top Left



Top Right

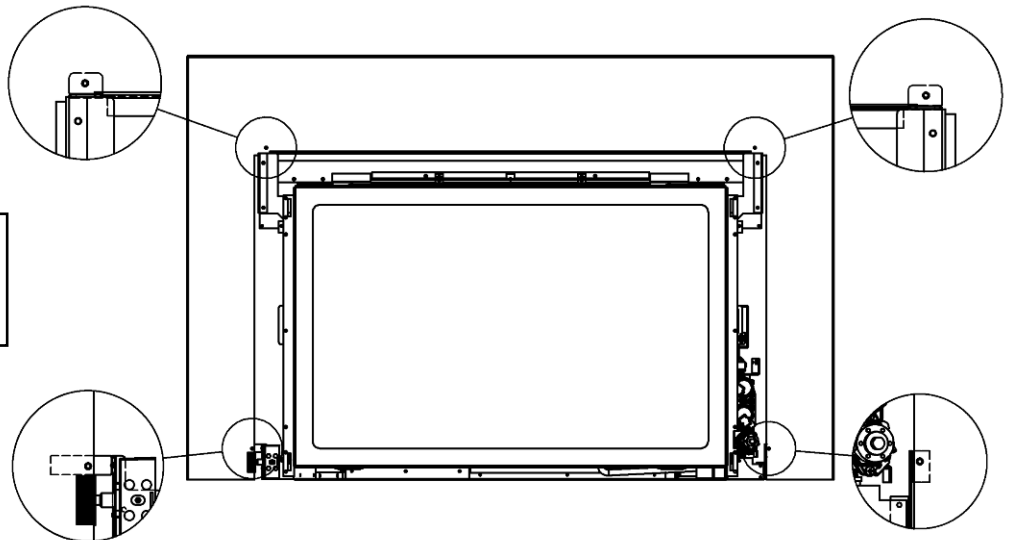


Bottom Left



Bottom Right

Place Surround onto unit and line up holes in mount tabs with holes in Surround. Attach with screws provided.





Component List:

- I26CV2 or I26CVPF2 Clean View
- On/ Off Switch Extension Bracket
- Fan Control Switch Extension Bracket
- [4] #6 Black Combo Screws

Components In (As Shipped):

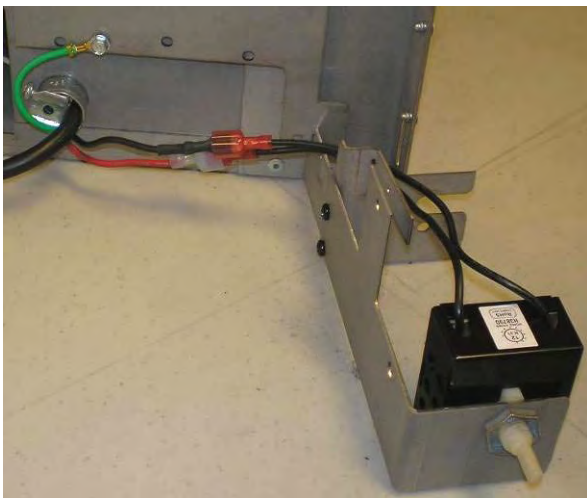
Fan Control Switch Bracket



Remove Fan Control Switch From Current Position.

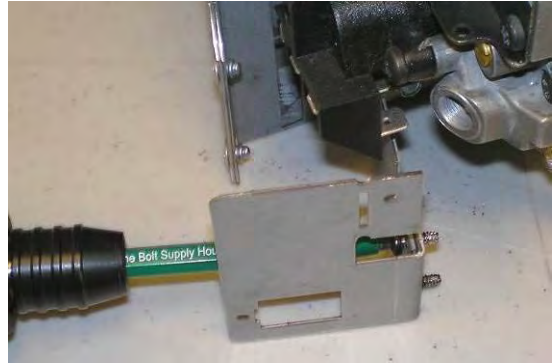


Attach Fan Control Switch Extension Bracket using [2] #6 Combo Screws as shown.

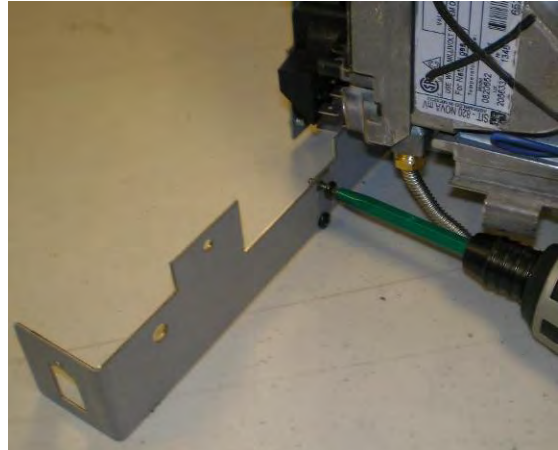


Mount Switch & route wiring as shown.

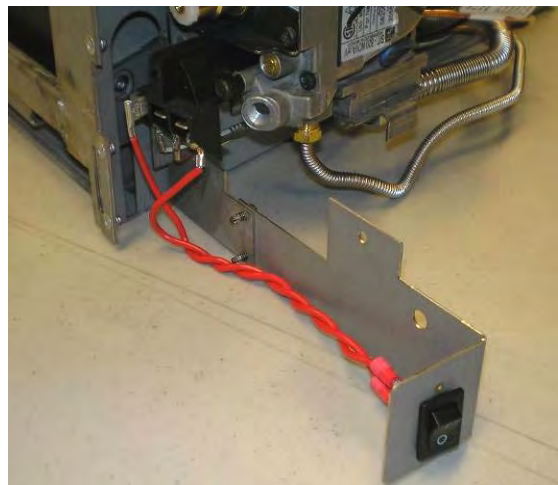
On/Off Switch Bracket



Remove On/Off Switch and original mount bracket.



Attach On/ Off Switch Extension Bracket using [2] #6 Combo Screws as shown.



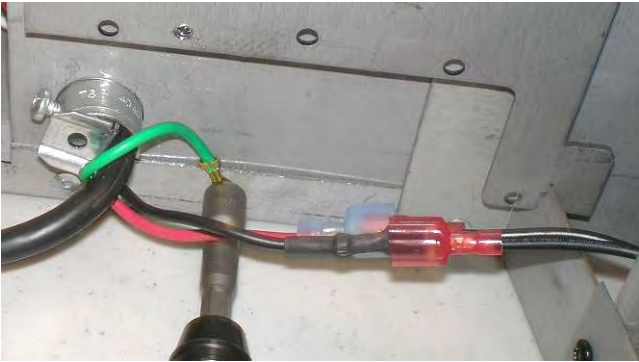
Mount Switch & route wiring as shown.

Insert Mount Tabs into slots in unit and lower Clean View into place. Refer to Clean View Attachment



## I26CV2 / I26CVPF2 Wide Clean View Installation -Components Out-

### Fan Control Switch Bracket



**NOTE:** If Ground is attached to Side Component Plate, remove and fasten to side of appliance with a DT Screw.

Remove Fan Control Switch From Current Position.



Attach Fan Control Switch Extension Bracket using [2] #6 Combo Screws.

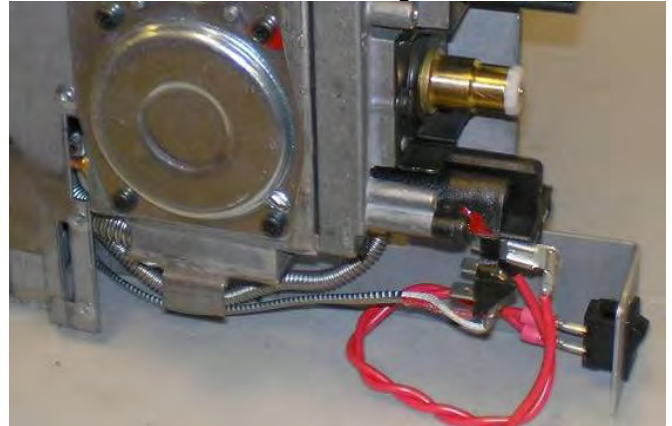


Mount Switch & route wiring as shown.

### On/Off Switch Bracket



Remove On/Off Switch and original mount bracket.



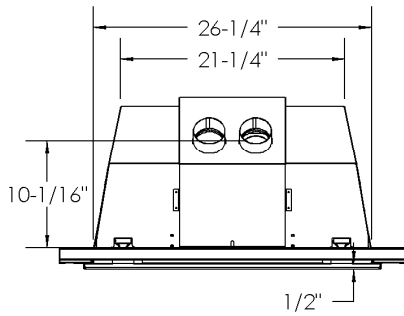
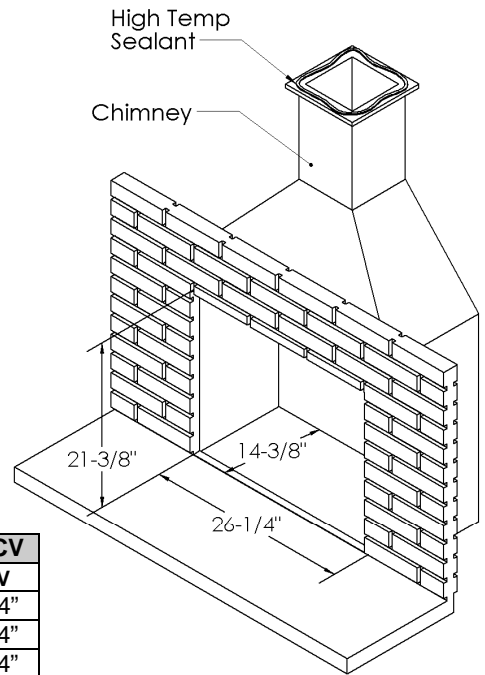
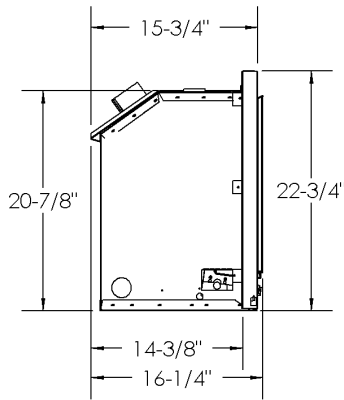
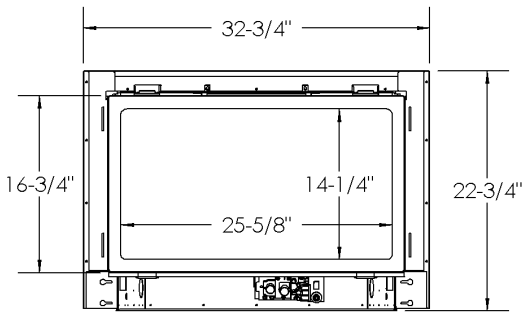
Attach On/ Off Switch Extension Bracket using [2] #6 Combo Screws as shown.



Mount Switch & route wiring as shown.

Insert Mount Tabs into slots in unit and lower Clean View into place. **Refer to Clean View Attachment.**

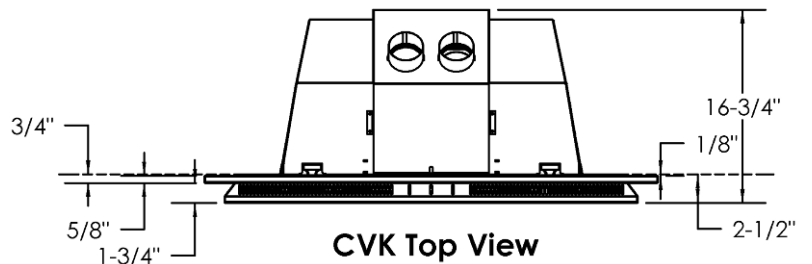
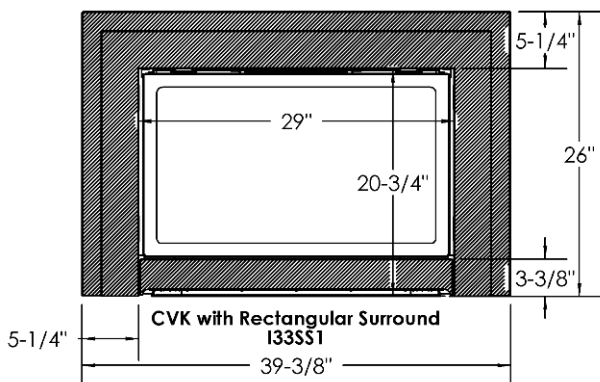
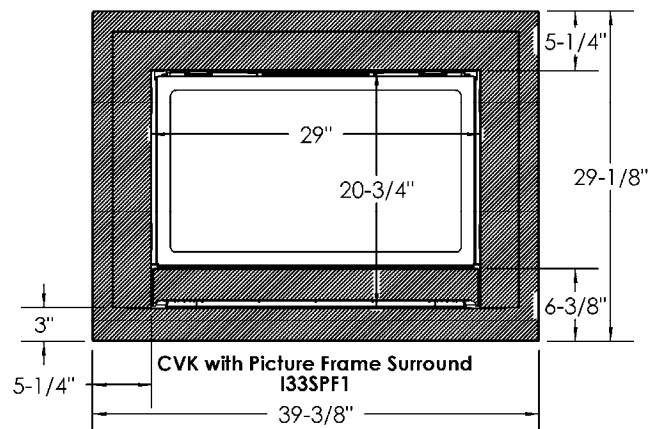
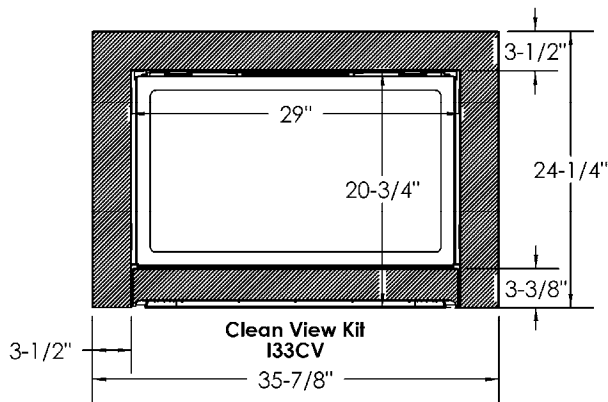
## IDV33 Insert Dimensions and Sizing



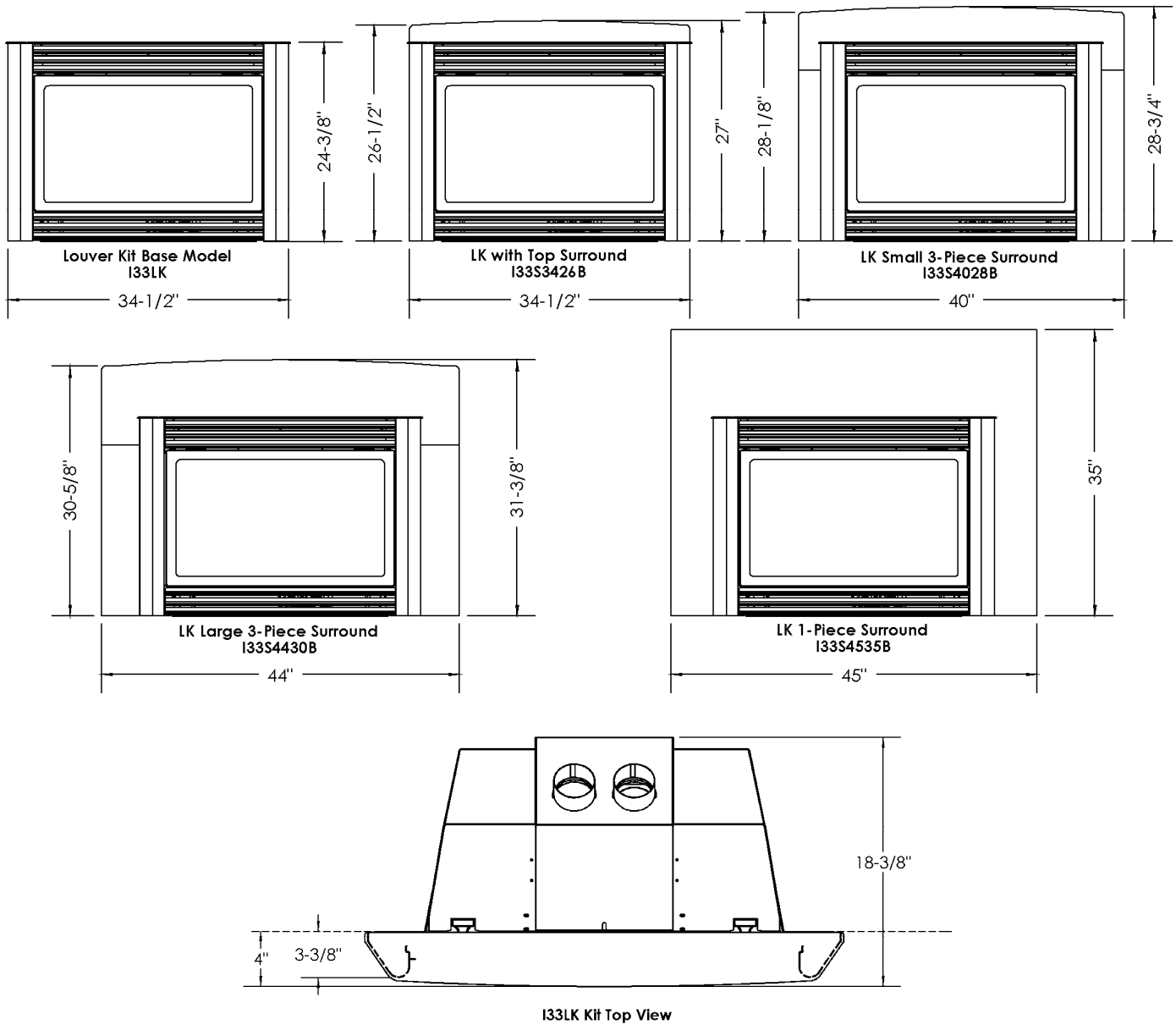
Min. Coverage with Optional I33LK or I33CV			
	Base Unit	I33LK	I33CV
Front Width:	26-1/4"	34-1/2"	32-3/4"
Rear Width:	21-1/4"	21-1/4"	21-1/4"
Height:	21-3/8"	24-3/8"	22-3/4"
*Depth:	14-3/8"	18-3/8"	16-3/4"

Unit Sits Proud of Finished Surface 2-1/2" with CV Kit, and 4" with LK Kit.

## I33CV Clean View and Surround Sizes

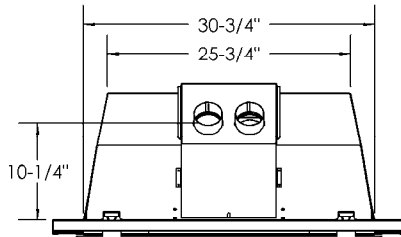
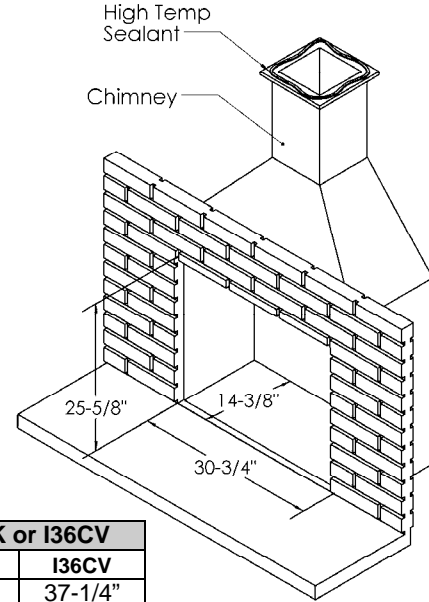
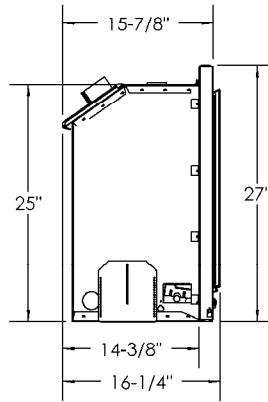
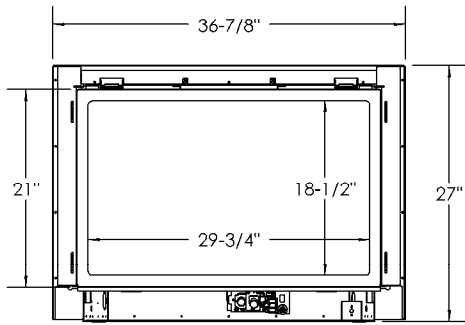


## I33LK Louver Kit and Surround Sizes



**NOTE:** The Surrounds shown here are universal and can be used with the I33CV model. Furthermore, the I33S4535B and I36S4736B (1-piece Surround) was designed to be used as a custom cutout surround. Simply trace template and cut out design using the universal surround.

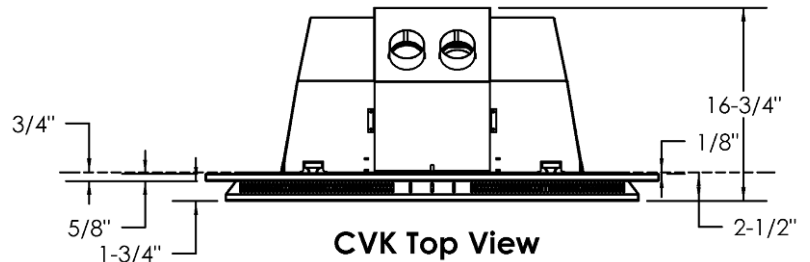
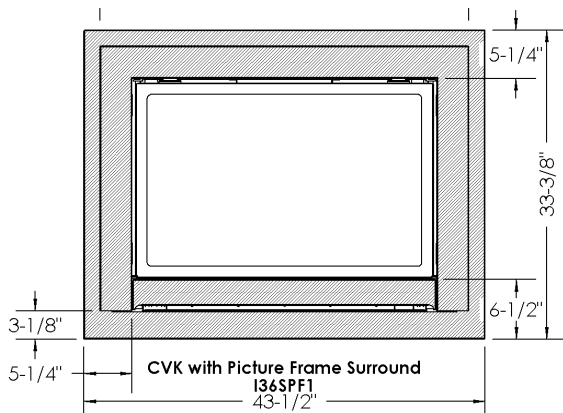
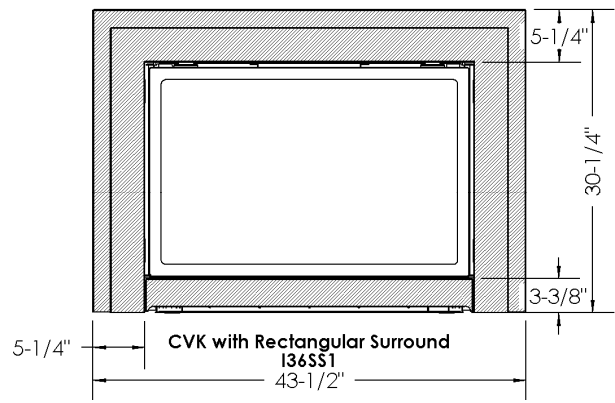
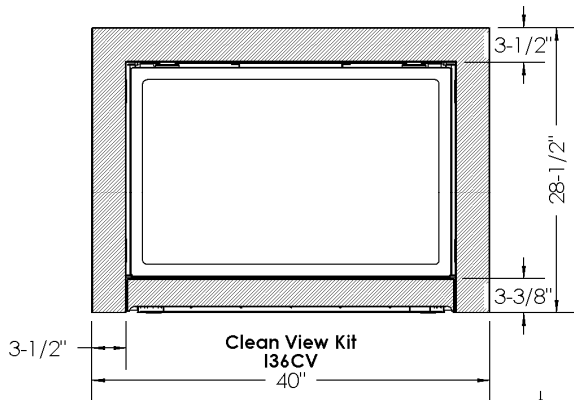
## IDV36 Insert Dimensions and Sizing



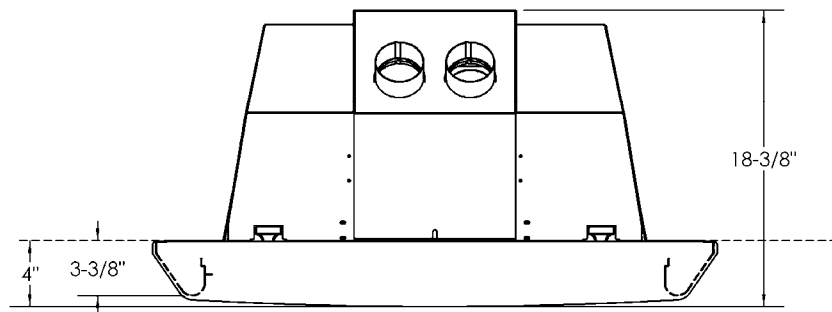
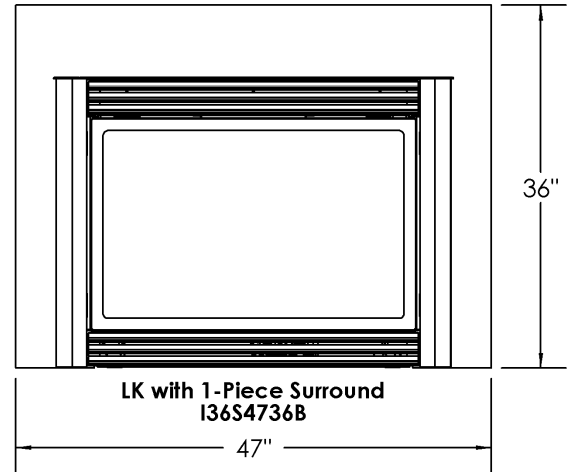
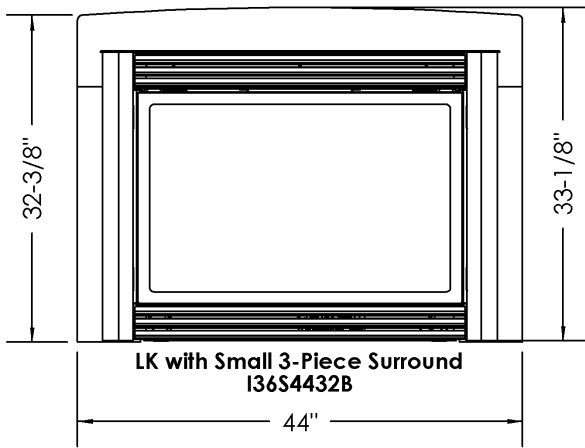
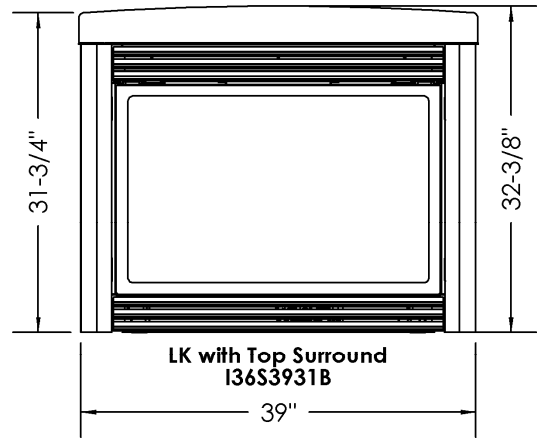
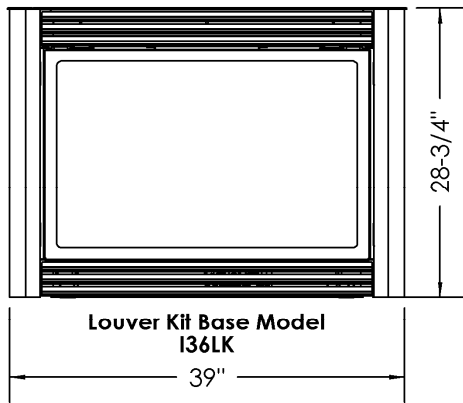
Min. Coverage with Optional I36LK or I36CV			
	Base Unit	I36LK	I36CV
Front Width:	30-3/4"	39"	37-1/4"
Rear Width:	25-3/4"	25-3/4"	25-3/4"
Height:	25-5/8"	28-3/4"	27"
Depth:	14-3/8"	18-3/8"	16-3/4"

Unit Sits Proud of Finished Surface 2-1/2" with CV Kit, and 4" with LK Kit.

## I36CV Clean View and Surround Sizes



## I36LK Louver Kit and Surround Sizes

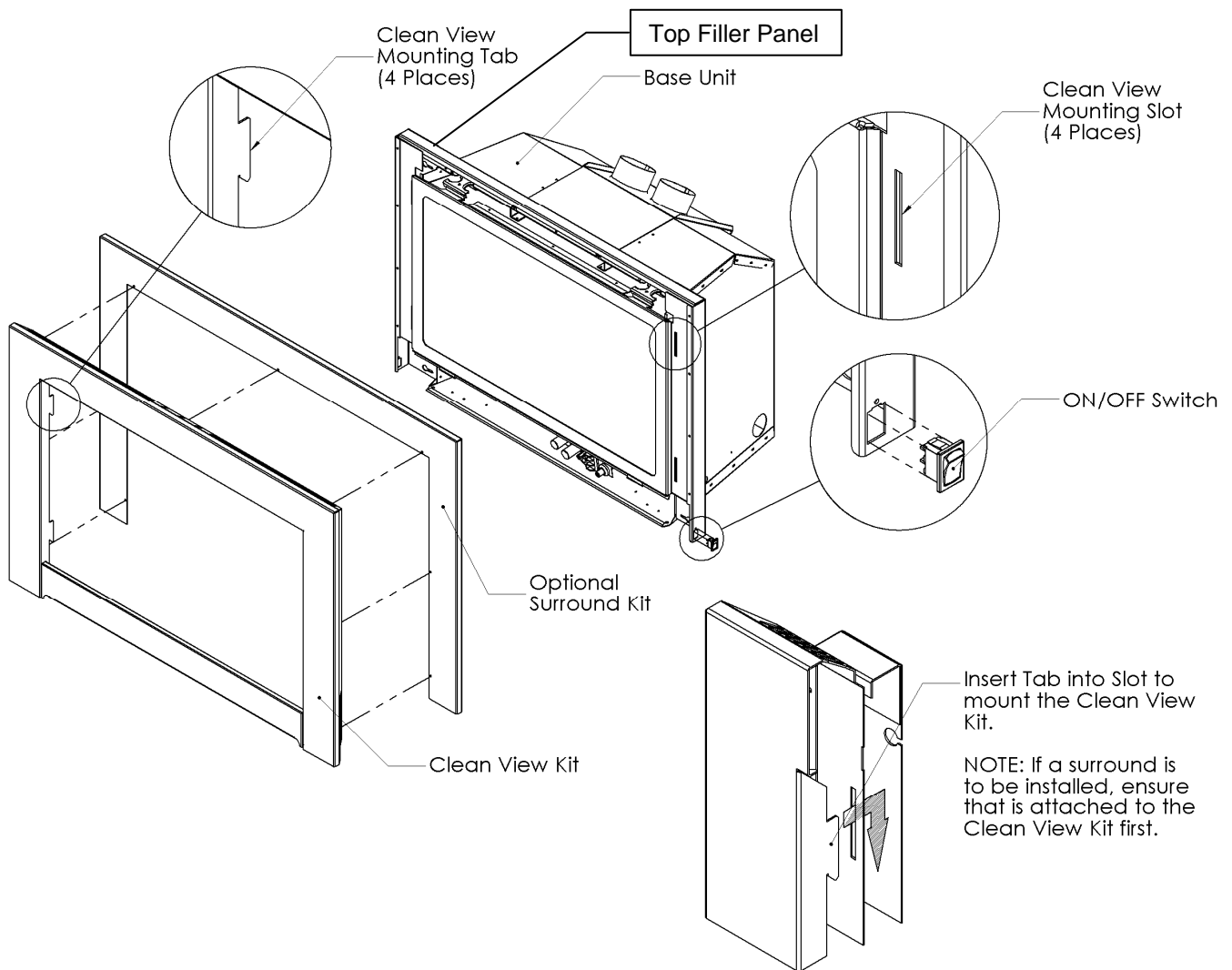


LK Kit Top View

**NOTE: The Surrounds shown here are universal and can be used with the I36CV model. Furthermore, the I33S4535B and I36S4736B (1-piece Surround) was designed to be used as a custom cutout surround. Simply trace template and cut out design using the universal surround.**

## I33CV/I36CV Front Face and Surround Attachment Installation

1. Remove the Top Filler Panel to install vent adapter and venting to the unit. Once this is done, reinstall the Top Filler Panel. Refer to Installation of Vent Pipe for venting information.
2. Install ON/OFF switch into the slot provided located at the lower left hand side of the appliance.
3. If the Optional Surround Kit is being used then fasten them to the Clean View kit with the seven [7] screws provided.
4. Insert the Clean View Mounting Tab into the Clean View Mounting Slots (four [4] places) and lower the Clean View kit into place. If an Optional Surround is to be installed on this appliance, make sure to do so before the Clean View Kit is mounted. Note that the Clean View and Surround assembly simply sits in this position without any other attachment mechanisms. Please refer to the illustration below for guidance.

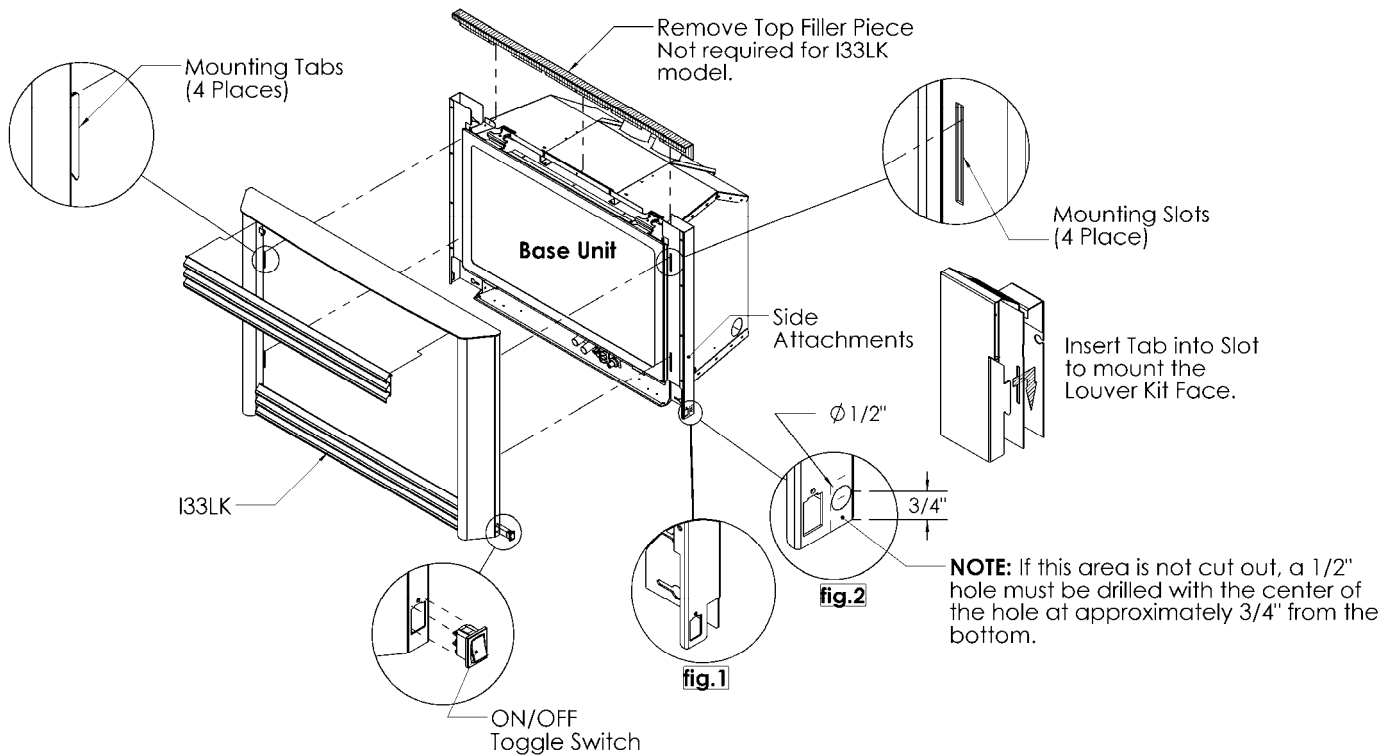


**NOTE: The Clean View Surround needs to be removed in order to access the Glass Door and service the unit.**

## I33LK/I36LK Front Face Attachment Installation

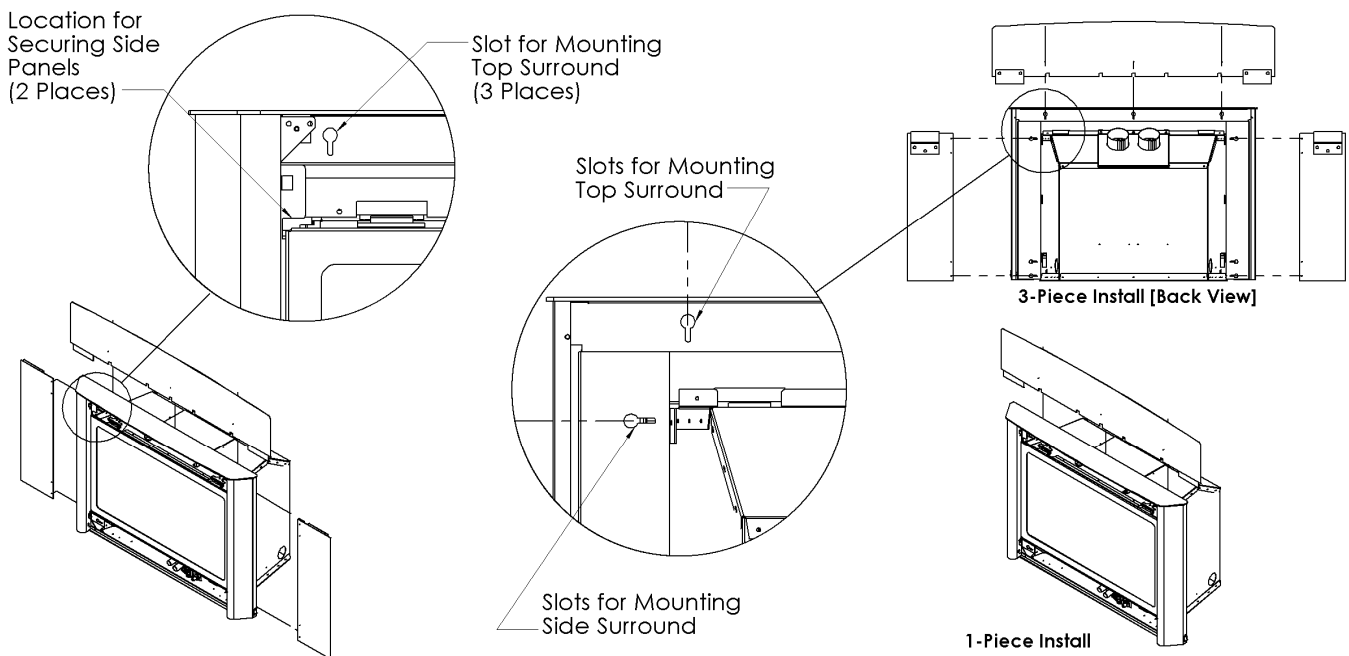
1. Remove the Top Filler piece from the Base unit by unfastening its three [3] screws. This part is not required for the I33LK/I36LK model and therefore can be discarded. However, be sure to keep the screws for fastening the I33LK/I36LK.
2. Install Vent Adapter plate. Please see Installation of Vent Pipe for reference.
3. Remove ON/OFF switch & wires from valve (make note of connections first). Set aside until LK Front is attached.
4. At this time, check the lower right corner of the front of the fireplace. If the rear portion is cut away (**fig.1** below), then you are ready to proceed. If not (**fig.2** below), a 1/2" hole should be drilled with the center of the hole at about 3/4" up from the bottom.
5. Install the I33LK/I36LK Front to the appliance by lowering it onto the side attachments, aligning the four [4] Mounting Tabs and Slots together. Position the tabs into the slots and then lock it into place by lowering the I33LK/I36LK Front onto the hook assembly.
6. Once the I33LK/I36LK is in place simply fasten it to the appliance with the three [3] screws taken out from the Top Filler piece.
7. Route the ON/OFF switch & wires through the slot provided located at the lower right side of the LK Front, and through the opening (or 1/2" hole you have drilled) in the appliance. Reconnect ON/OFF switch wires to valve. Insert ON/OFF switch into LK Front and attach with a screw.

**NOTE: The Louver Kit Front does not need to be removed to access the Glass Door and service the unit.**



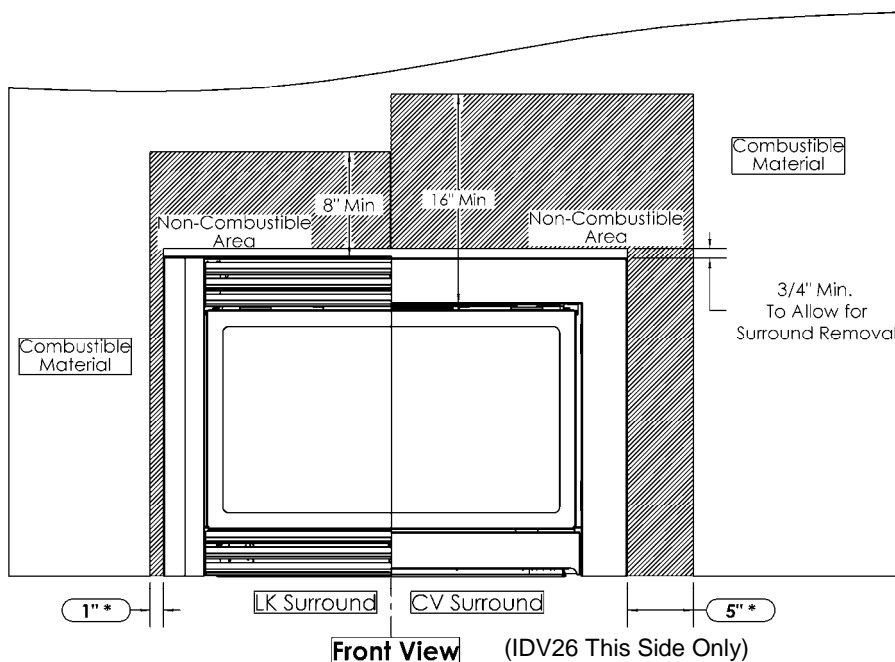
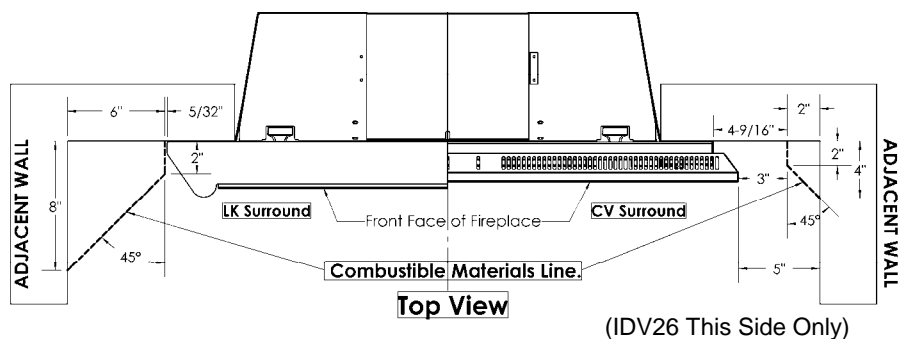
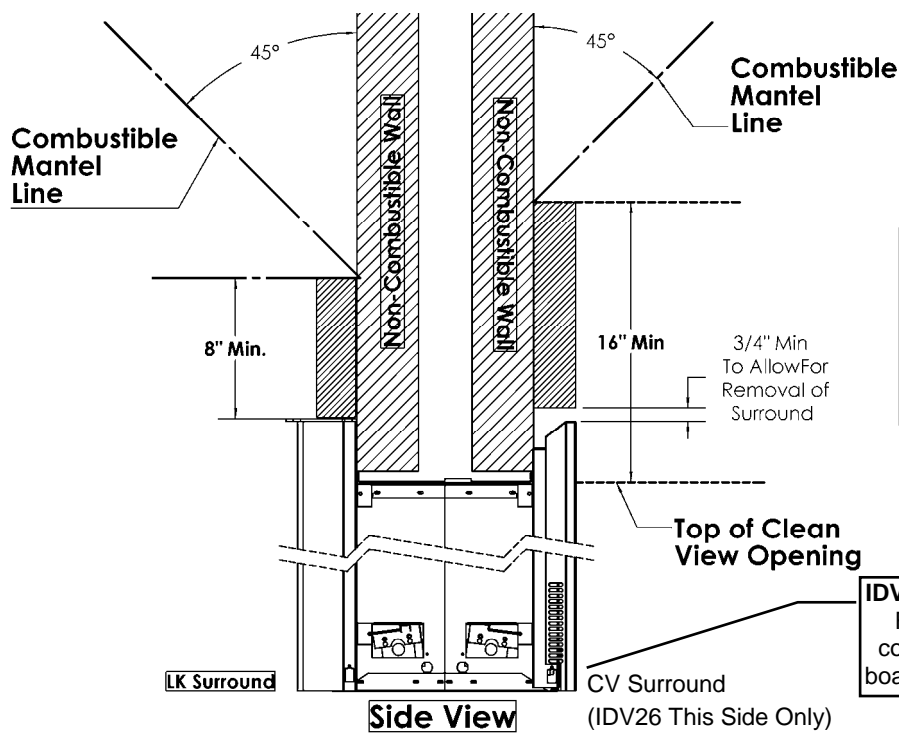
## Surround Installation for IDV33/IDV36 Fronts

1. Ensure that the I33LK/I36LK Front is installed before continuing with these steps.
2. When installing a 3-piece surround, please note that the side panels must go first. When installing a 1-piece surround, simply skip the instructions for the side panel installation.
3. Slide side panels in place. Make sure the pre-set screws slide into the slots located behind the side columns. Do not tighten these screws yet. You will need to line up the top panel first.
4. Slide the top panel into place. The top panel lines up with the three [3] slots behind the top grill. Secure the top panel in place with the three [3] pre-set screws.
5. Once the top panel is secured, line up the sides with the top and then tightens the pre-set screws. There are two locations for these pre-set screws on each side panel.



Part No.	Description	Dimensions
I33S3426B	1-Piece Top Surround	34-1/2" x 26-5/8"
I33S4028B	3-Piece Small Surround	40" x 28"
I33S4430B	3-Piece Large Surround	44" x 30-1/2"
I33S4535B	1-Piece Universal Surround	45" x 35"
I36S3931B	1-Piece Top Surround	39" x 32-3/8"
I36S4432B	3-Piece Small Surround	44" x 33-1/8"
I36S4436B	3-piece Large Surround	44" x 35-5/8"
I36S4736B	1-Piece Universal Surround	47" x 36"





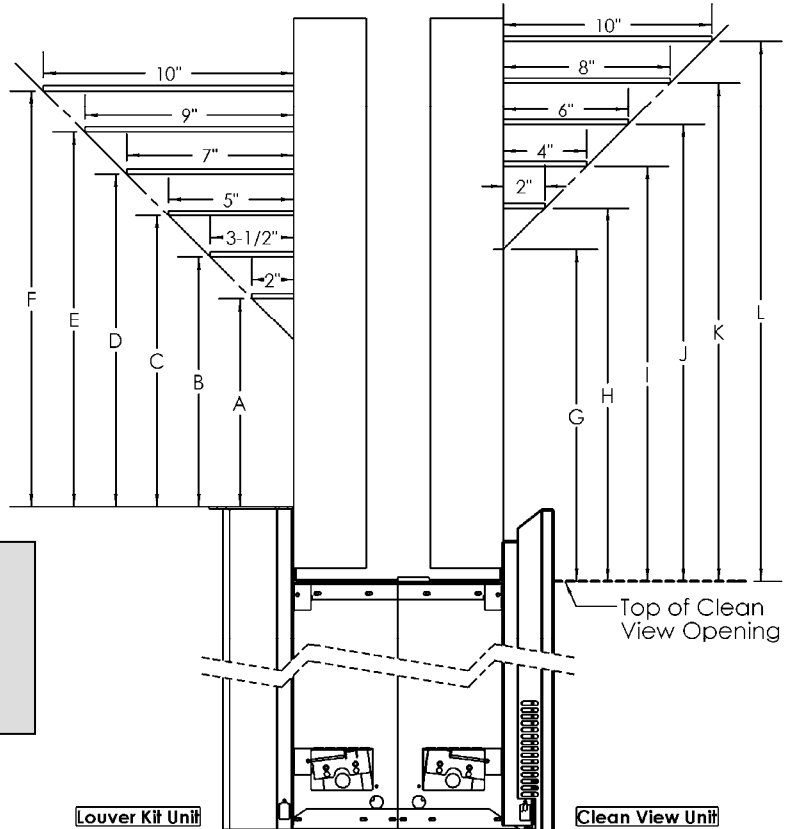
\*For more information see Clearance to Combustible Mantels Page.

# IDV26/IDV33/IDV36 Clearance to Combustible Mantels

Before installing any mantels it is important to determine the combustibility of its material(s). There are two types of mantel materials to consider: Combustible and Non-combustible.

A Combustible Mantel is one that consists of material(s) that may discolor, combust, or lose its integrity in the presence of heat. These types of mantel must strictly adhere to the dimensional requirements shown in the figures below. Conversely, a Non-combustible Mantel is one that is constructed with materials that can withstand temperatures above 250°F [121°C]. Non-combustible Mantels can be installed at any height above the fireplace opening and thus not restricted to the clearance requires. Check your local codes and regulations to determine whether your mantel is combustible or non-combustible.

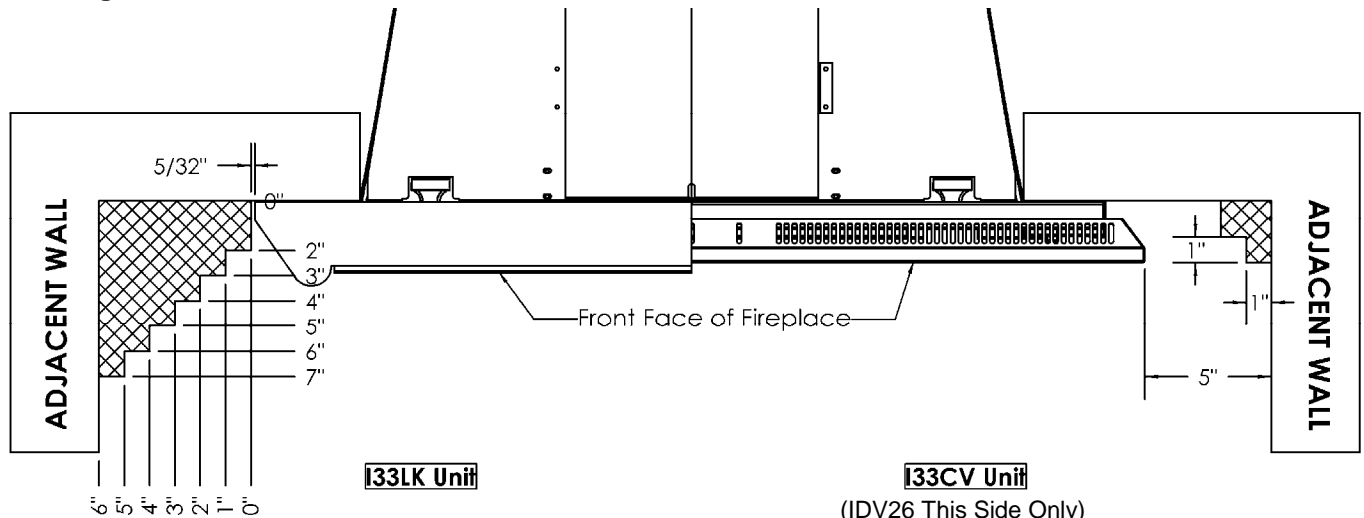
Louver Kit Units			
	I33LK	I36LK	
A	10"	11"	
B	12"	13"	
C	14"	15"	
D	16"	17"	
E	18"	19"	
F	20"	21"	
Clean View Unit			
	I26CV	I33CV	I36CV
G	16"	16"	19.5"
H	18"	18"	21.5"
I	20"	20"	23.5"
J	22"	22"	25.5"
K	24"	24"	27.5"
L	26"	26"	29.5"



**WARNING:** Combustible objects must not be placed on a non-combustible mantel unless the non-combustible mantel meets the minimum height and width requirements for a combustible mantel.

(IDV26 This Side Only)

## Mantel Leg Clearance



(IDV26 This Side Only)

**Vertical Venting in Cold Climates**

In cold climate conditions where temperatures go below -10°C [14°F], we recommend that the chase be insulated and where the vent pipe enters into the attic space that the pipe be wrapped with an insulated Mylar sleeve. This will increase the temperature of the vent and help the appliance to vent properly in cold weather conditions.

It is also important in vertical vented direct vent appliances that the appliance be operated daily during the winter months as this will help stop the Termination from freezing up. We recommend using a thermostat set at room temperature to allow the unit to cycle.

For IPI models it may be necessary to set the appliance to Standing Pilot mode to maintain heat in the cavity. The purpose of this procedure is to prevent cold air from penetrating the chimney and then onto the living space. Therefore, when the internal temperature is slightly elevated the fireplace is able to freely exhaust its combustion and hence making it easier to startup.

This appliance must not be connected to a chimney flue serving a separate solid-fuel burning appliance.

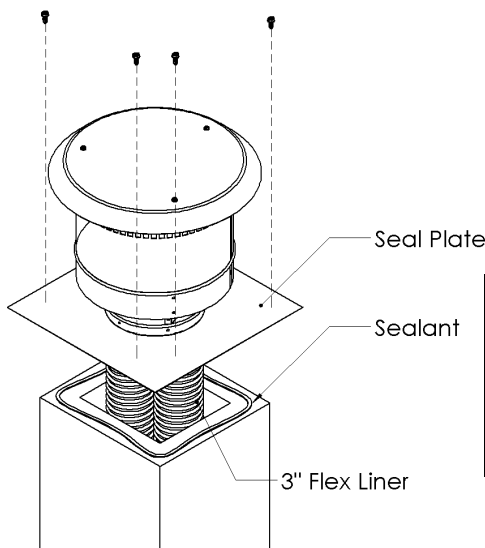
This appliance is approved with Kingsman Flex Vent System (as listed in the manual) or Simpson Dura-vent flex pipe system (#0991 Co-linear Vertical Termination and #0923GK Co-linear Adapter for Termination). This fireplace insert is approved for use with two 3" [7.62cm] diameter gas flex liners.

All venting lining products must be approved and installed according to the vent manufacturers installation instructions. All vent liners must terminate in a rain cap to prevent debris and rain from entering the vent and possibly damaging the appliance or creating an unsafe condition. The area between the existing chimney and liner must be capped off for the same reasons as above and to reduce the chances of venting problems and corrosion of the vent.

If this fireplace insert is to be used to replace an existing fireplace insert the existing vent liner must be of the proper size and if so must be inspected for obstructions, damage and/or corrosion. Replacement must be done as necessary.

Before any vent liner is run through a chimney or other approved venting system, chimney must be inspected, cleaned and repaired if necessary. A chimney which was used for a solid fuel fireplace must be professionally cleaned in order to reduce corrosion of the vent or other possible safety hazards.

**Installation of Vertical Termination IDVVT**



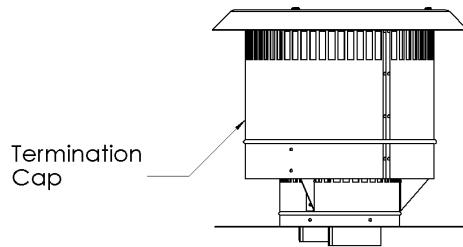
1. Before attaching the flex vents to the termination, you will have to determine how the cap will be attached to the existing chimney crown, clay lined chimney or wood stove vent pipe. The Seal Plate of the termination may be cut, notched and formed to make a good seal to the existing vent or be left flat.
2. Using a high quality sealing compound (RTV Silicone) place a bead of sealant onto the vent or chimney top. This will provide a seal against water and rain from entering the existing flue.

Venting System	
<b>IDVVT</b>	Vertical Vent Termination
<b>IDVFK25</b>	Flex Pipe kit (2ea 3" x 25ft unexpanded flex pipes complete with Millpac and screws.)
<b>#0991</b>	Simpson Duravent Co-linear Termination HW Vertical Top
<b>#0923GK</b>	Simpson Duravent Co-linear Adapter for Co-Liner Termination
NOTE: When using Simpson Duravent Termination order both #0991 and #0923GK.	

	Vertical (rise)	Horizontal (run)
Min.	10ft [3.1m]	0ft [0m]
Max.	40ft [12.2m]	2ft [0.6m]

**⚠ WARNING: Failure to position the parts in accordance with these diagrams or failure to use only parts specifically approved with this appliance may result in property damage or personal injury.**  
**Cutting any sheet-metal parts of the fireplace, in which the gas fireplace insert is to be installed, is prohibited.**

1. Remove the Top Filler and adapter plate from the unit by removing the five [5] screws as shown below. (Fig. 3) Attach the vent pipes to the termination with Millpac and 4 screws per pipe joint. Be sure to label the exhaust and intake flex pipes. Make sure not to connect the exhaust to the intake or vice-versa. Lower the termination and vent pipe down the vent and screw and seal plate to the chimney crown, clay tile chimney or wood stove vent. It may be necessary to pre-drill holes into the chimney crown (depending on material) (8 screws).
2. The two vent pipes should now be hanging in the existing fireplace. Attach the adapter to the two suspended vent pipes with Millpac and screws. Let the adapter hang in place until the unit is ready to be positioned.
3. Slide the unit into place carefully. Ensure that the adapter slides along the top of the unit, in between the guides, and check that it remains flat. (Fig. 2)
4. Once the unit is slid back into position use the two screws previously removed to secure the adapter plate. When tightening the adapter plate check to make sure the plate is flat to the unit and the rear catch lock is engaged over the rear tab of unit. (Fig. 2 & 3)
5. For I33CV/I36CV models only: Reattach the Top Filler (Fig. 1A) with three [3] screws before installing the I33CV/I36CV Fronts.
6. When using the I33LK/I36LK unit discard the Top Filler Panel and attach the I33LK/I36LK Front as per the instructions shown in the Front Face Attachment Installation section.
7. Use Millpac to seal the vent pipe joints and ensure that it is free of any leakage.



Mounting Screw Locations

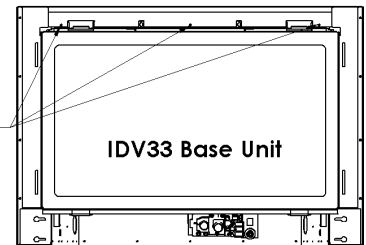
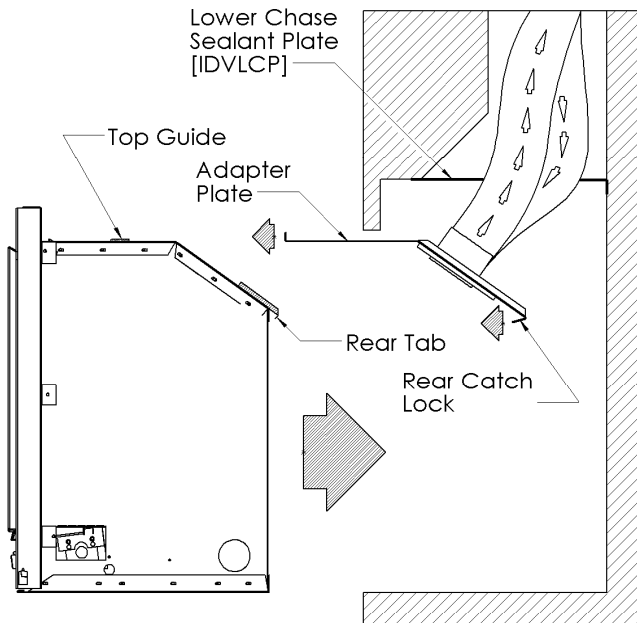


Fig. 1A - Base unit.



Mounting Screw Locations

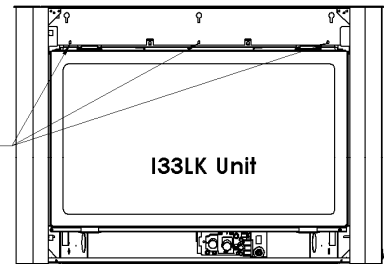


Fig. 1B - Louver kit unit.

Adapter Plate Mounting Points

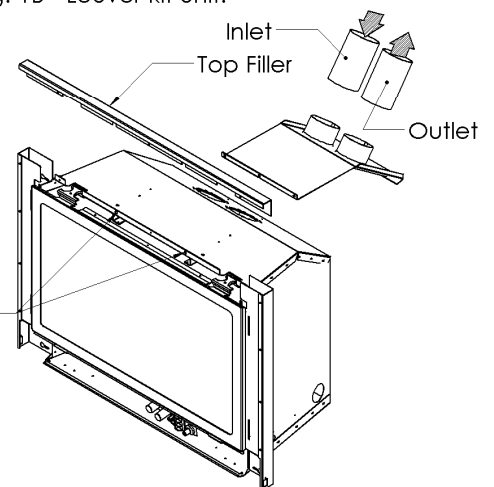


Fig. 3 - Remove top filler to install venting adapter.

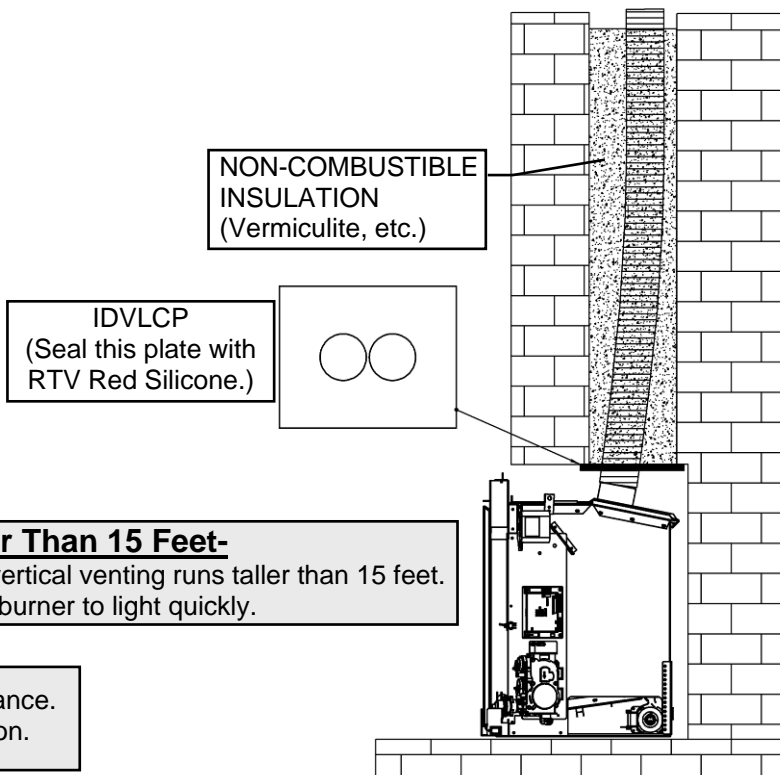
Fig. 2 - Base unit chimney venting install.

**NOTE:** If the factory-built fireplace has no gas access hole(s) provided, an access hole of 1.5in [37.5mm] or less may be drilled through the lower sides or bottom of the firebox in a proper workmanship like manner. This access hole must be plugged with non-combustible insulation after the gas supply line has been installed.

**If You Live In A Cold Climate Zone And Your Chimney Is On The Side Of Your House**

In cold climates, especially where the chimney is located on the outside of the home it may be necessary to insulate the chimney cavity with NON-COMBUSTIBLE insulation such as vermiculite or Roxul insulation. This will keep the chimney cavity warm and avoid cold start ignition problems.

**FOLLOW ALL LOCAL CODES.**

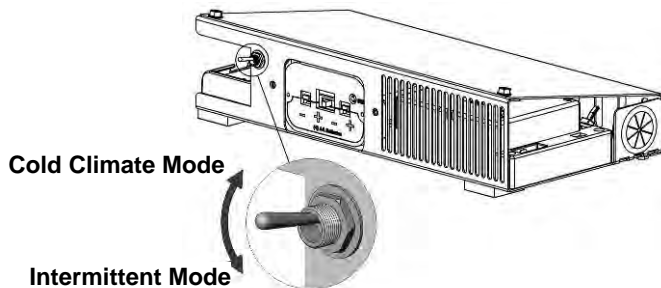


**-Vertical Venting Runs Taller Than 15 Feet-**  
 We recommend that the pilot be left on at all times for vertical venting runs taller than 15 feet. This will maintain a slight draft in the vent, allowing the burner to light quickly.

The pilot should be lit ½ hour before turning on appliance.  
 The pilot should be left on during the heating season.

**IPI (Intermittent Pilot Ignition) Appliances Cold Climate Mode**

For (IPI) Intermittent Pilot ignition appliances in colder climates (below freezing) it will be necessary to have the continuous pilot (cold climate mode) operation turned on where a heated chimney is needed to maintain the draft to ensure proper operation.



This appliance may run with the pilot continuously running (cold climate mode) or in intermittent mode. For most homeowners, the intermittent mode is preferred (as this saves fuel). However, in some situations the homeowner may prefer to switch the appliance to cold climate mode. The most typical reasons for switching to cold climate mode are:

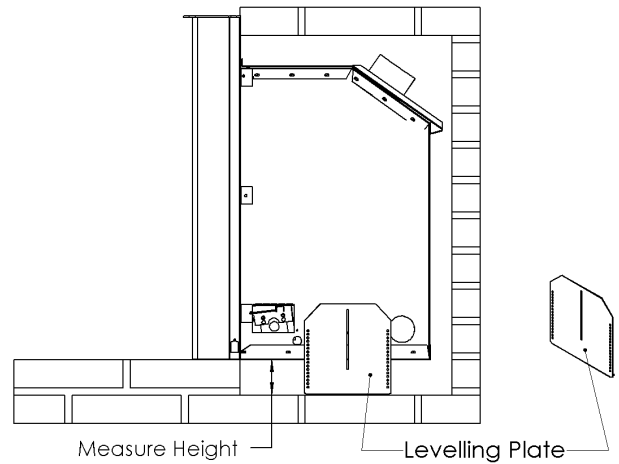
- Cold Conditions (below freezing) – you may notice that the burner does not light quickly, and the flames lift off the burner. If this is the situation, we recommend you switch to continuous pilot/cold climate mode. This will keep the cavity warm and will create a slight draft in the vent, allowing for the burner to light quickly and draft correctly.
- Condensation on Glass after Startup – certain installations may encounter excessive fogging on the window after startup (not just the first time the appliance was started). This is normal but may be remedied or reduced by switching the appliance to cold climate mode.
- Cold Glass or Hearth area – in cold conditions you may notice that the floor, hearth area and glass become cold. To remedy this, switch the appliance to cold climate mode.
- Frequent On/Off Operation – if you are frequently turning the appliance on and off, you may wish to leave it in cold climate mode. This allows the burner to turn on more quickly, without the pilot ignition sequence.

# IDV26 / IDV33 / IDV36 Riser Kit and Leveling Instructions

## Leveling Instructions

When installing insert it may be necessary to support back of unit. To support back of insert, there are two leveling plates right and left of unit.

1. Measure height required to level unit.
2. Remove two [2] outer screws and loosen center screw holding each plate into position.
3. Slide plates to the required height and align with appropriate holes. Each set of holes equals to a 1/4" of movement up to a maximum of four inches. Insert and tighten all screws (e.g. 1" of movement equals to 4 holes).



## Riser Kit Installation Instructions – Model No.: I33R40 / I33R44

1. Measure height required to make flush with base of unit, Fig. 1. If measurement equals to the height of riser kit 2.5" skip to Step 3. No adjustment will be required.
2. Adjust leveling legs to required height in Step 1, Fig. 3 (Detail A).
3. Locate mounting holes punched into base right and left of unit. Place riser assembly under front of insert and fasten to base with supplied screws, Fig. 2.

Fig. 1 - Side view.

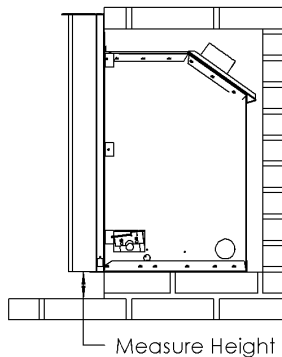


Fig. 2 - Front view with Riser Kit.

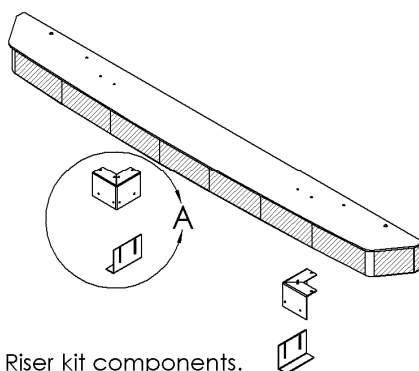
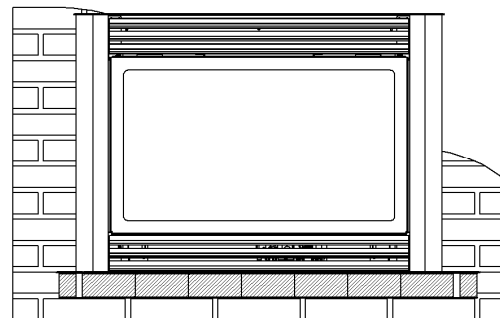
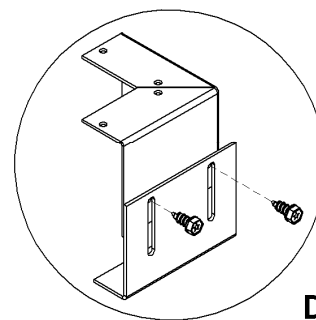


Fig. 3 - Riser kit components.



**WARNING:** Failure to position the parts in accordance with these diagrams or failure to use only parts specifically approved with this appliance may result in property damage or personal injury.

### Glass Cleaning

It will be necessary to clean the glass periodically. During start-up condensation will form, and cause dust and lint to cling to the surface of the glass. Furthermore, the initial burn cures the paint but also leads to the deposit of a filmy residue. It is therefore recommended that the glass be cleaned two or three times, initially, with non-abrasive common household glass cleansers and warm water. After that, the glass can be cleaned two or three times a season depending on use.

### Warning and Cautions

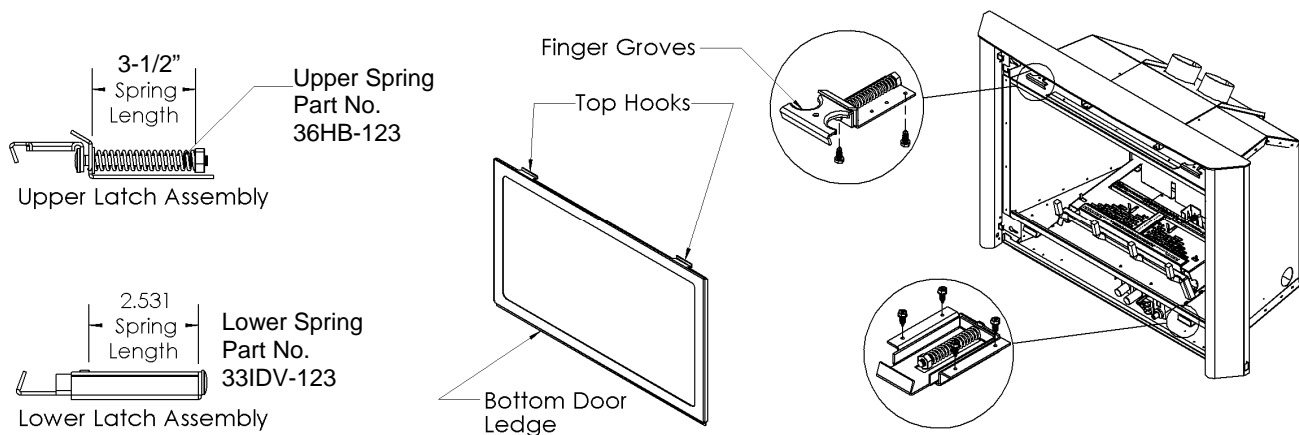
- Do not clean when the glass is hot.
- Do not use abrasive cleaners.
- Using a substitute glass will void all product warranties.
- Do not strike or abuse glass. Care must be taken to avoid breakage of the glass.
- Do not operate this fireplace without the glass front or with a broken glass.

### REPLACEMENT GLASS

Only Robax ceramic or coated NeoCeram glass may be used for replacement. The glass must be a minimum of 5mm thick.

### Removal of the Glass Door

1. If this unit is a Clean View model then the Clean View Front must first be removed. Please refer to Front Face and Surround Attachment Installation page.
2. Remove the door by unlatching the two [2] top latches. To do so, simply place two fingers in the grooves and pull towards yourself while lifting the latch slightly upwards.
3. Once the top of the door is unlatched, pull it outwards and up to unlatch the bottom.
4. To re-install, place the Bottom Door Ledge into the Lower Latch assembly first. Then swing the door closed to seal it against the firebox cavity. Re-latch the Upper Latch assembly to secure the door to the appliance.
5. To replace glass, clean all materials from door frame. Using a high heat silicone (resistant to 500°F [260°C]) apply a bead of approximately 1/8" to all four sides of frame and insert glass with new gasket. The door frame should be on a flat surface with a small amount of weight pressing the glass into the silicone. Let everything dry for approximately 15 to 20 minutes. The door can be re-installed by following step 4.



### Spring Replacement

Over time the spring may need to be replaced if tension is lost. Replace spring as follows:

1. Remove the top latches by unfastening the two [2] hex screws that secures it in place. They are located in the firebox.
2. Remove the bottom latches by unfastening the four [4] hex screws located in the firebox (beside the burner assembly). Once the screws are all removed, the latches will either fall or slide out.
3. To remove the spring, unfasten the one [1] lock nut holding it in place. **NOTE: When replacing a spring tighten the lock nut so that the total compression length is 3-1/2". This is critical for proper tension.**



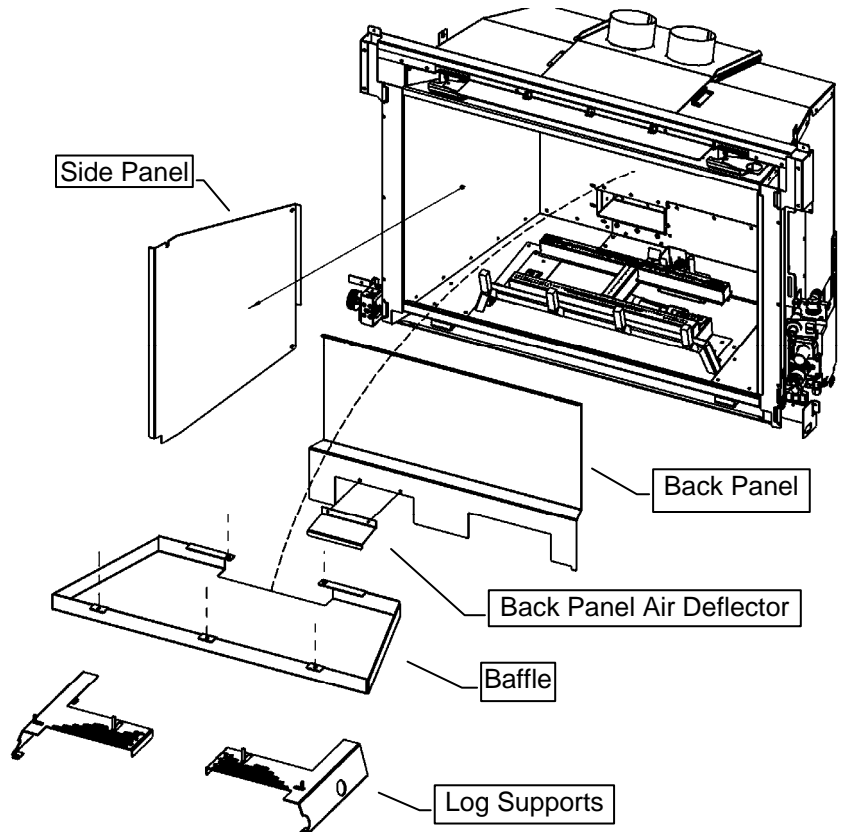
**WARNING: No substitute materials may be used other than factory supplied components.**

**IDV26PL Parts List:**

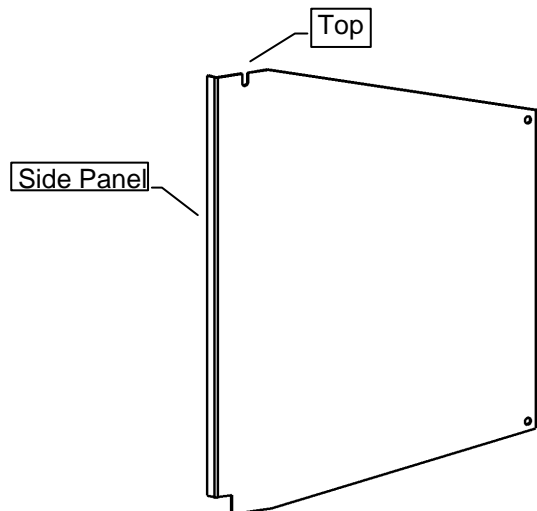
- 1 Back Panel
- 1 Right Side Panel
- 1 Left Side Panel

**To Remove:**

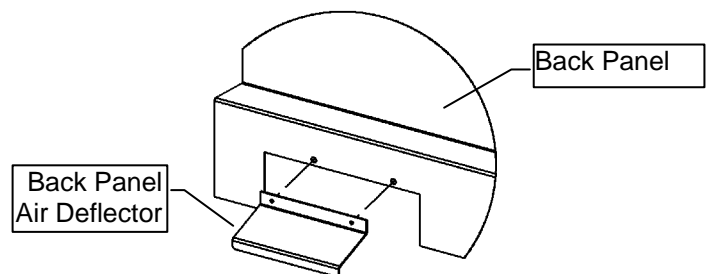
1. Remove **Log Supports**. Remove the [5] screws in the firebox top holding the **Baffle** in place.
2. **Remove Back Panel**. Unscrew and remove the Back Panel. Slide and tilt to remove. **NOTE:** If you will be installing a porcelain Back Liner, unscrew Back Panel Air Deflector and install on porcelain Back Liner.
3. **Remove Side Panels** (if present). Remove screw. Tilt and slide Side Panels out of fireplace.

**To Install:**

1. **Install Side Panels**. If you are using Side Panels, install them first. Tilt and slide Side Panels into place. Secure with screw in side of firebox.
2. **Install Back Panel**. Ensure that Back Panel Air Deflector is in place on Back Panel (See Illustration). Place Back Panel up against the back of the Firebox and reinstall the [2] Screws in firebox top. Then slide lower Liner Retainer Clip (located on bottom of firebox behind burner) up to bottom of Back Panel & tighten.
3. **Replace Baffle**. Replace Baffle and proceed with Log or Rock/Glass Tray setup.

**Note: Warping and Discoloration of Porcelain or Painted Metal Liners Is Not Covered Under Warranty.**

Both Porcelain and Painted Metal Liners may discolor and warp during normal operation of your appliance. This is normal, and not considered a defect.



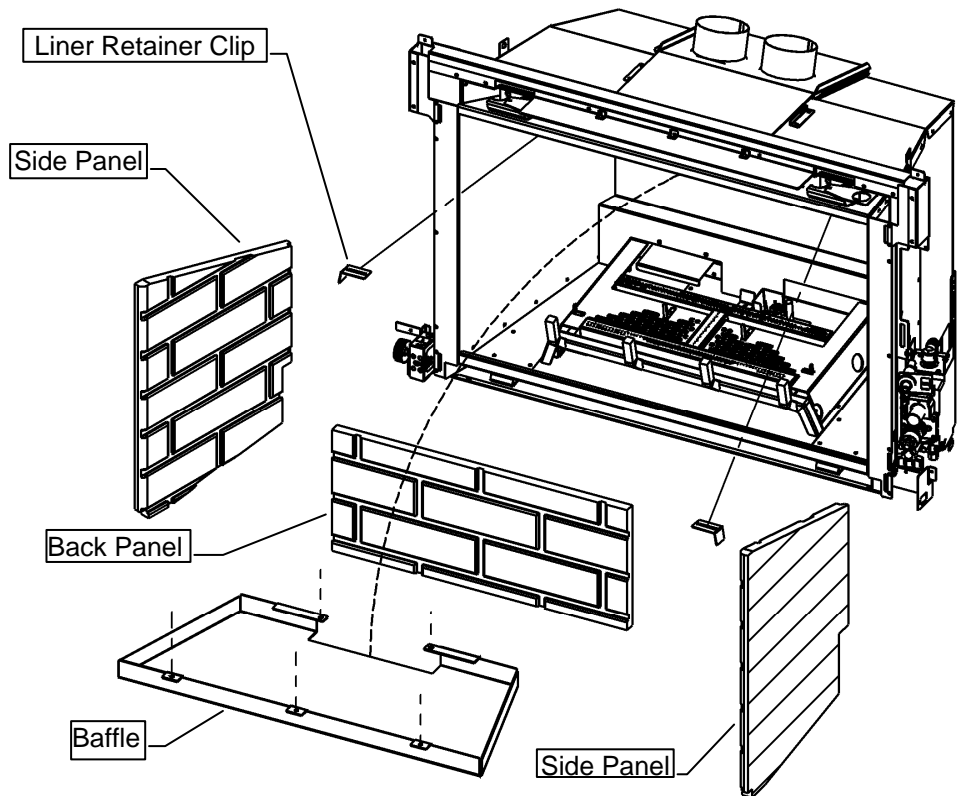


**IDV26RL Parts List:**

- 1 Back Panel
- 1 Right Side Panel
- 1 Left Side Panel

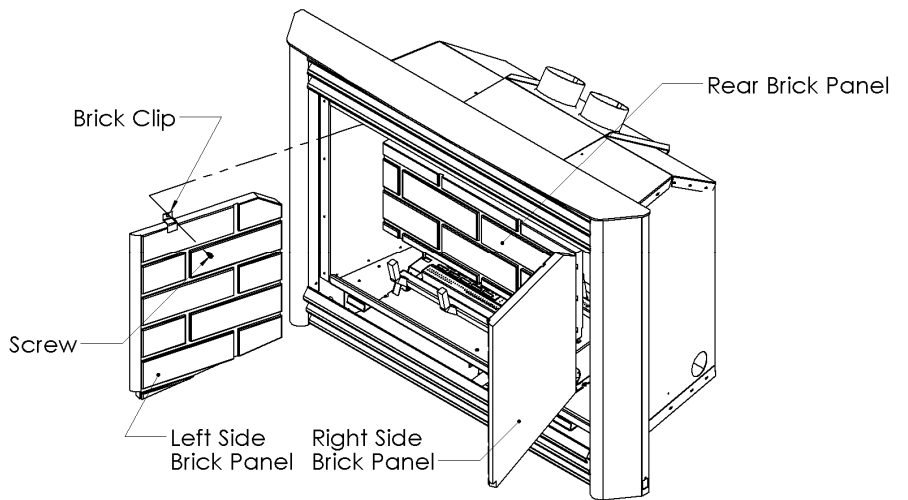
**To Install:**

1. **Remove the Baffle.** Remove the [5] screws in the firebox top holding the Baffle in place. Remove the [2] Liner Retainer Clips in the firebox top also.
2. **Install Back Panel.** Place Back Panel on the rear ledge inside the firebox.
3. **Install Side Panels.** Twist and rotate Side Panels into place. Secure with Liner Retainer Clips in top of firebox..
4. **Replace Baffle.** Replace Baffle and proceed with Log or Rock/Glass Tray setup.



**Instructions For IDV33 & IDV36 Brick Liners**

1. Remove the glass door. **If a flat black rear panel has been installed on the back of the firebox, remove the rear panel. (see below).**
2. Install rear brick panel first.
3. Install left and right side panels and secure them with brick clips.
4. Once the brick panels are secured, reinstall the glass door. Refer to Glass Door Information.

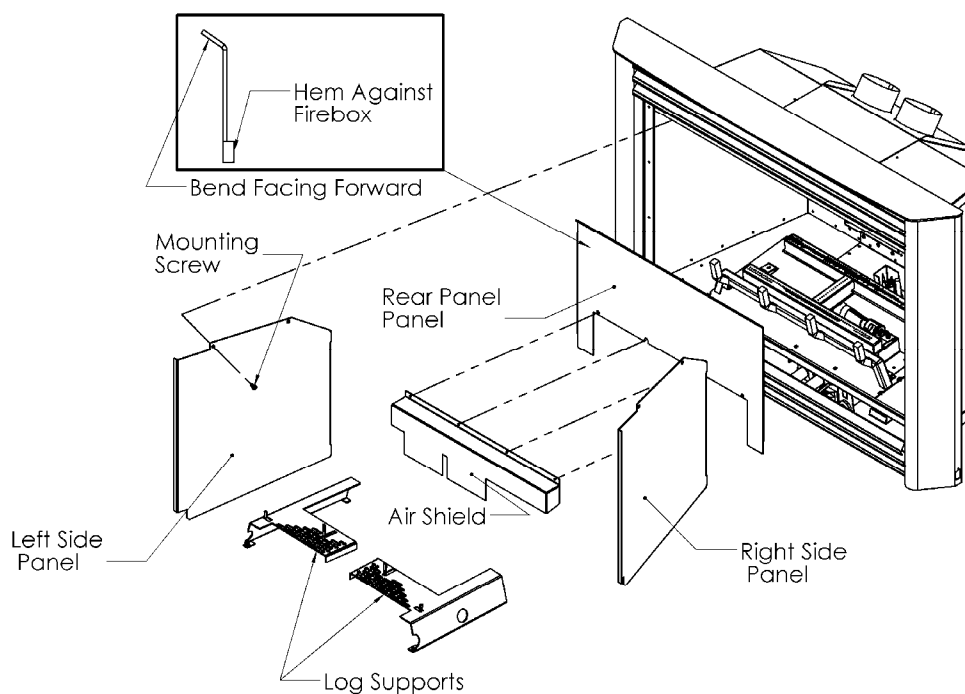


<b>Parts List</b>	
-1	Back Panel
-1	Right Side Panel
-1	Left Side Panel

**IDV33/36PL- Liner Panels -Generation 1 (For Generation 2 See Next Page)**

1. Remove the glass door. **If a flat black rear panel has been installed on the back of the firebox, remove the rear panel (see below).**
2. Lift Log Supports out of fireplace. Remove the Air Shield by removing the four [4] screws that are securing it. Remove the flat black rear panel (if installed) at this time.
3. Place the Back Porcelain Panel up against the back of the Firebox (**Do not install backward-see Note below**) and reinstall the Air Shield in front of the Back Panel using the same four [4] screws.
4. Remove the two [2] screws on the sides of the Firebox holding the Brick Clips in place.
5. Tilt and slide the side panels into place. Secure these side panels with the two [2] screws that was taken out in the previous step. **NOTE: The Brick Clips are no longer required for the Porcelain Panel installation.**

**Note: Back Panel Direction**



**⚠ Note: Warping and Discoloration of Porcelain or Painted Metal Liners Is Not Covered Under Warranty.**

Both Porcelain and Painted Metal Liners may discolor and warp during normal operation of your appliance. This is normal, and not considered a defect.

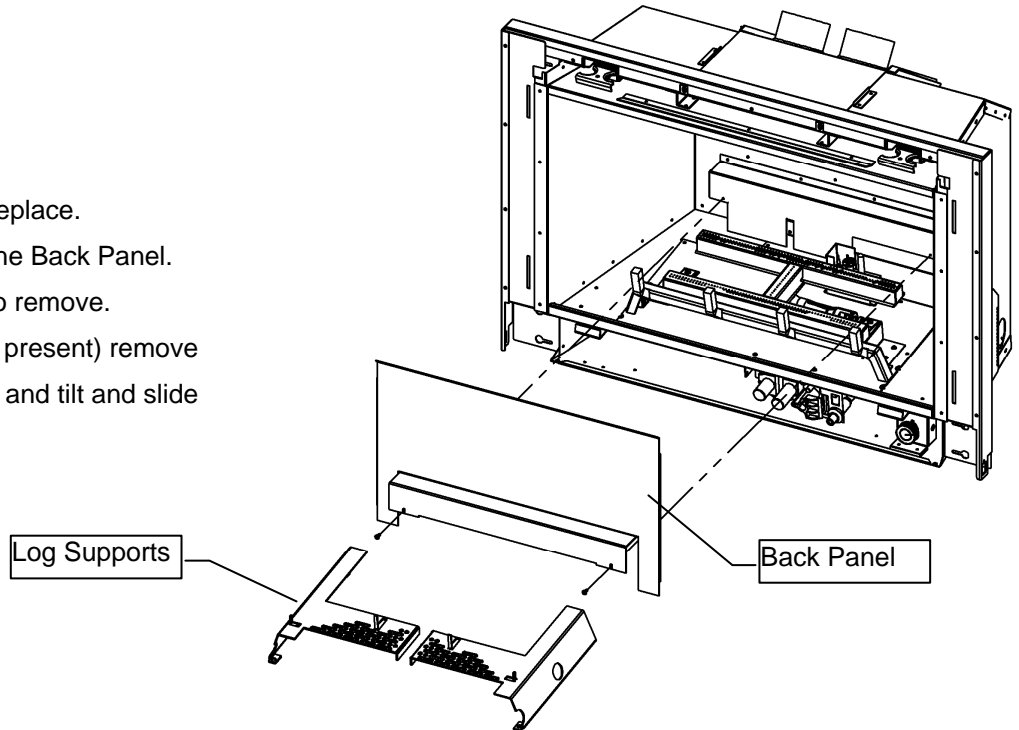
## IDV33/36PRL- Removing and Installing Generation 2 Liner Panels-

### Parts List

- 1 Back Panel
- 1 Right Side Panel
- 1 Left Side Panel

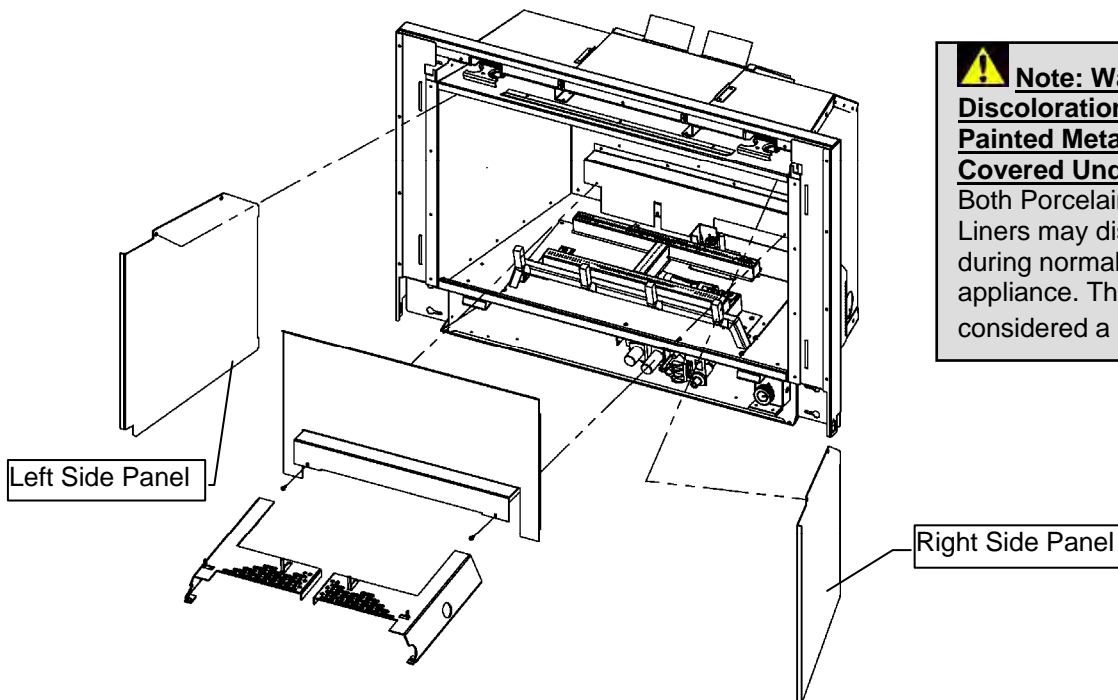
### To Remove:

1. Lift Log Supports out of fireplace.
2. Remove the 2 Screws in the Back Panel.
3. Slide and tilt Back Panel to remove.
4. To remove Side Panels (if present) remove screw in top of Side Panel and tilt and slide out of fireplace.



### To Install:

1. Place Back Panel up against the back of the Firebox and reinstall the 2 Screws.
2. Remove the 2 DT Screws in the sides of the Firebox holding the Brick Clips in place.
3. Tilt and slide the Side Panels into place. Reinstall the 2 DT Screws without the Brick Clips.
4. Replace Log Supports



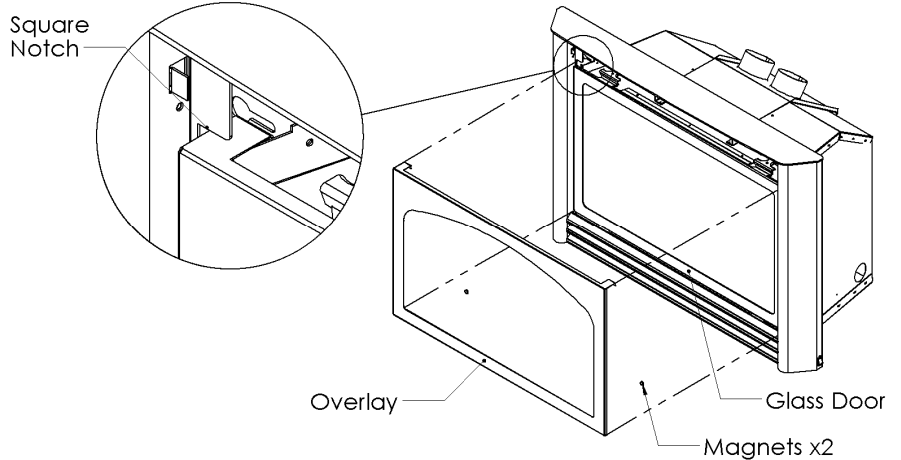
**Note: Warping and Discoloration of Porcelain or Painted Metal Liners Is Not Covered Under Warranty.**

Both Porcelain and Painted Metal Liners may discolor and warp during normal operation of your appliance. This is normal, and not considered a defect.

# IDV33/IDV36 Overlay and Double Door Installation

## IDV33 Overlay

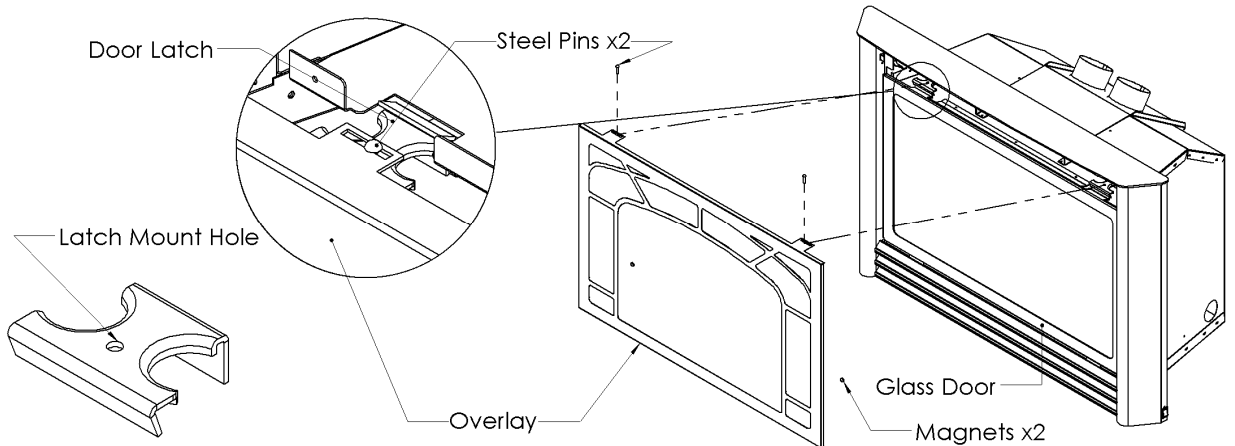
This style of Overlay mounts in the square notch cutout as shown in the illustration to the right. Use magnets to secure the overlay to the glass door frame.



## IDV36 Overlay

This style of Overlay mounts to the latching system. It sits on top of the door latch and is secured using a steel pin. The lower portion of the overlay is held to the surface of the door frame with magnets.

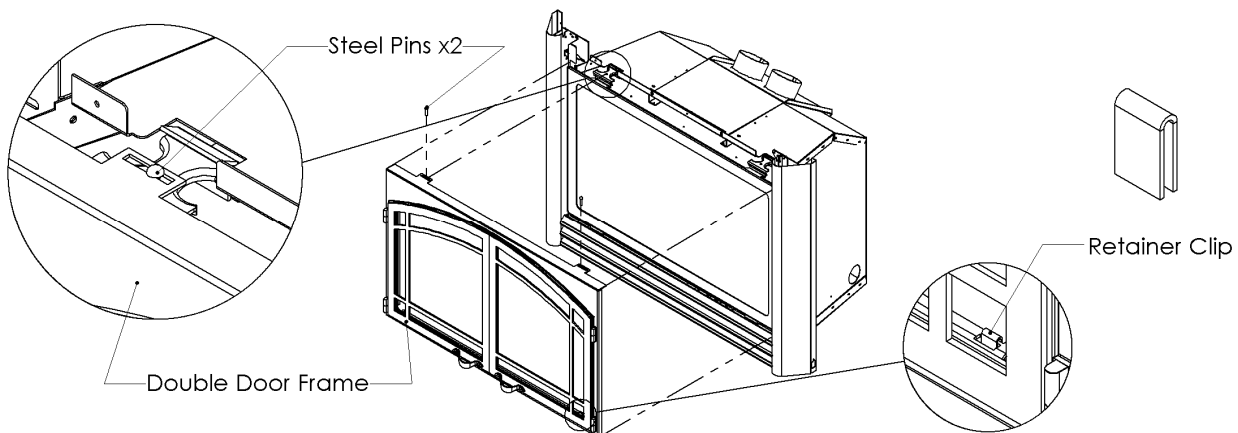
1. Place the Overlay over the Glass Door and insert the steel pin through to the Latch Mount Hole.
2. Use magnets to secure the lower part of the Overlay.



## Double Door Installation

The Double Door mounts similarly to the IDV36 Overlay style. The only difference is that, instead of magnets, Retainer Clips are used to secure the lower portion of the Double Door Frame to the Glass Door.

1. Place the Double Door Frame over the Glass Door and insert the steel pin through to the Latch Mount Hole.
2. Insert Retainer Clips to secure the lower portion of the Double Door Frame to the Glass Door.



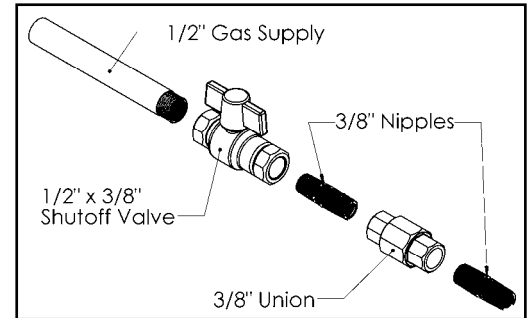
# Gas Line Installation

This gas appliance should be installed by a qualified installer in accordance with local building codes and with current CAN/CSA - B149.1 installation codes for Gas Burning appliances and equipment in Canada and the National Fuel Gas Code ANSI Z223 in the U.S.A.

## State of Massachusetts

For the state of Massachusetts a T-handle gas shut-off valve must be used on a gas appliance. This T-handle gas shut-off valve must be listed and approved by the state of Massachusetts. This is in reference to the state of Massachusetts state code CMR238.

1. The gas pipeline can be brought in through either the right or left side of the appliance. Knockouts are provided at these locations to allow for the gas pipe installation and testing of any gas connection.
2. The gas control inlet is 3/8" NPT. Typical installation layout for rigid pipe is shown at right.
3. When using copper or flex connector, use only approved fittings. Always provide a union so that gas line can be easily disconnected for burner or fan servicing. See gas specification for pressure details and ratings.
4. When a vertical section of gas pipe is required for the installation, a condensation trap is needed. See CAN/CSA-B149.1 for code details.



5. For natural gas, a minimum of 3/8" iron pipe with gas minimum pressure of 5.5" w.c. must be used for supply from the gas meter. Consult with the local gas utility if any questions arise concerning pipe sizes.
6. Ports are accessible for test gauge connection both on the inlet and outlet of the gas valve.
7. Turn the gas supply ON and check for leaks. **DO NOT USE OPEN FLAME FOR THIS PURPOSE.** Use an approved leak testing solution.
8. The appliance and its individual shutoff valve must be disconnected from the gas supply piping system during any pressure testing of that system at test pressures in excess of 1/2psig [3.5 kPa].
9. The appliance must be isolated from the gas supply piping system by closing its individual shutoff valve during any pressure testing of the gas supply piping system at test pressures equal to or less than 1/2psig [3.5 kPa].

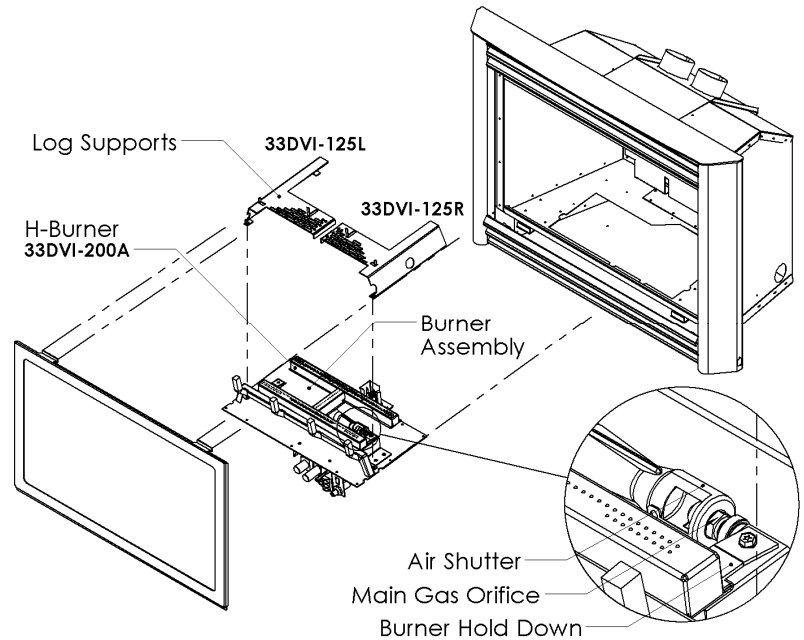
Note: The gas line connection may be made of 1/2" rigid pipe, 1/2" copper pipe or an approved flex connector. Since some municipalities have additional local codes, it is always best to consult your local authorities and the current CAN/CSA - B149.1 installation code in Canada or the National Fuel Gas code ANSI Z223.1 in the U.S.A.

**IMPORTANT: Check for gas leaks with a soap and water solution. DO NOT USE OPEN FLAME FOR LEAK TESTING.**

Models	IDV26N	IDV26LP	IDV33N	IDV33LP	IDV36N	IDV36LP
<b>Fuel</b>	Natural Gas	Propane	Natural Gas	Propane	Natural Gas	Propane
<b>Gas Control</b>	Millivolt Adjustable					
<b>Maximum Input [BTU]</b>	30,000HI / 21,000LO	30,000HI / 25,000LO	31,000HI / 20,900LO	28,500HI / 23,100LO	34,250HI / 24,860LO	30,030HI / 22,840LO
<b>Output [BTU]</b>	22,500HI	22,500HI	23,250HI	21,375HI	25,685HI	22,525HI
<b>Orifice Size (0-4500ft)</b>	#36	#51	#35	#51	#32	#50
<b>Air Shutter</b>	3/16"	Fully Open	3/16"	1/2"	3/16"	1/2"
<b>Gas Inlet Size</b>	S.I.T. 820 Nova, 3/8" NPT					
<b>Gas Supply Pressure</b>	<b>Minimum</b>			<b>Normal</b>		<b>Maximum</b>
<b>Natural Gas</b>	4.5"			7"		9"
<b>Liquid Propane</b>	11"			11"		12"
<b>Manifold Pressure High</b>	3.5" w.c. [0.87kPa] <b>NG</b>			10" w.c. [2.61kPa] <b>LP</b>		
<b>Manifold Pressure Low</b>	1.6" w.c. [0.40kPa]			6.3" w.c. [1.57kPa]		

**Burner System**

1. Remove glass door assembly and logs (if installed). Be careful with logs as they become fragile after being heated.
2. Remove log supports off burner assembly.
3. The burner or burner assembly can now be removed.
  - a. **TO REMOVE H-BURNER/ORIFICE CHANGE** - Remove the two [2] screws holding the H-Burner in and slide it leftwards off the orifice.
  - b. **TO REMOVE BURNER ASSEMBLY** - Locate and remove the twelve [12] screws around the outside of the burner pan. This will remove the entire burner assembly.
4. When removing the entire burner assembly, break the seal and lift upwards. Make sure the gas line to the unit has been disconnected.
5. To reinstall the burner assembly ensure the surfaces are cleaned, and old sealant material removed. Use high temp Millpac to seal and secure with the twelve [12] screws.
6. Reconnect the gas line, and reinstall log support, logs, and glass door.



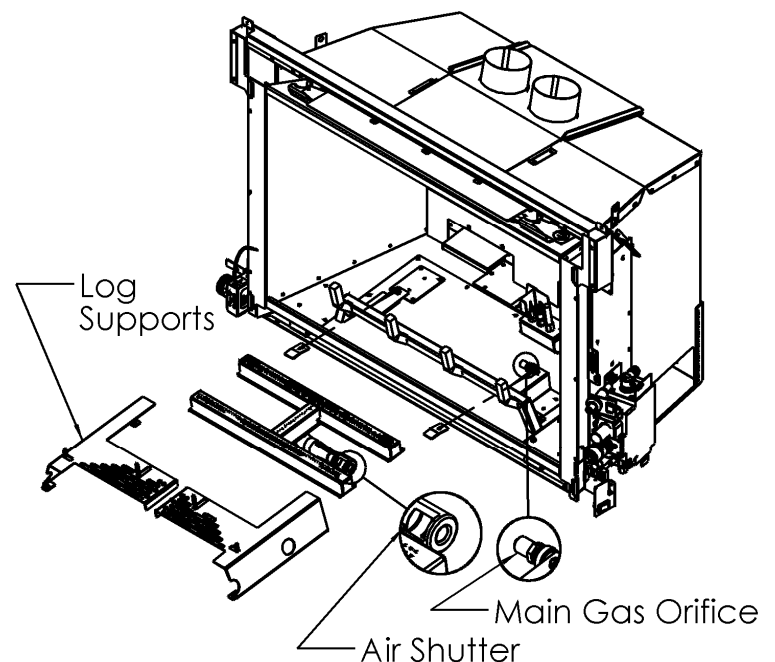
**⚠ WARNING:** Failure to position the parts in accordance with these diagrams or failure to use only parts specifically approved with this appliance may result in property damage or personal injury.

Remove glass door assembly and logs (if installed). Be careful with logs as they become fragile after being heated. Remove log supports from burner assembly. The burner can now be removed.

**TO REMOVE H-BURNER/ORIFICE CHANGE -**

Remove the two [2] screws holding the H-Burner in and slide it leftwards off the orifice.

**TO REMOVE ENTIRE BURNER ASSEMBLY,** see next page.

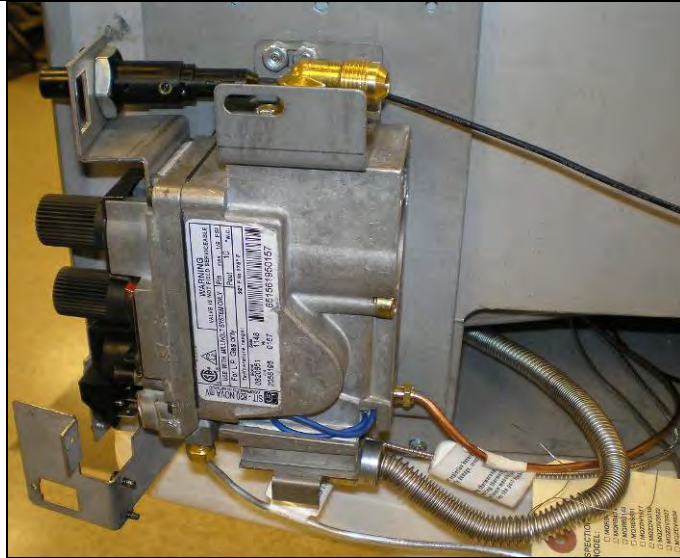




### ⚠ CAUTION

Before servicing the burner system ensure that the gas supply is turned OFF and disconnect all electrical connections to the appliance. Allow the appliance to cool to room temperature. Note that the pilot assembly may be hot in an intermittent or standing-pilot system—even if the main burner was never on. Exercise caution when working within the area. **ALL WORK SHOULD BE PERFORMED BY A QUALIFIED AND CERTIFIED TECHNICIAN.**

### Burner Pan Removal



**Step 1:** Disconnect pilot lines and gas supply line from valve on the side of the unit. **NOTE: Care should be taken to ensure that the gas and pilot lines are not damaged during handling. These lines are fragile.**



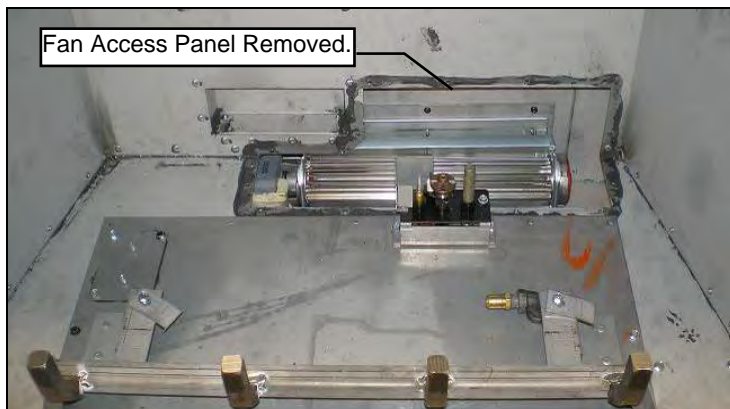
**Step 2:** Locate and remove the twelve [12] screws around the outside of the burner pan. This will remove the entire burner assembly.

To reinstall the burner assembly ensure the surfaces are cleaned, and old sealant material removed. Use high temp Millpac to seal and secure with the twelve [12] screws.

### Pilot Removal

Disconnect pilot lines from valve as shown above. Remove fan access panel (Not necessary to remove fan) and use this space to draw pilot out from unit.

Installation is the reverse of these steps. Reseal pilot connections to burner pan with orange silicone.



Fan Access Panel Removed.

### Valve Removal

Disconnect pilot lines and gas supply line from valve on the side of the unit. **NOTE: Care should be taken to ensure that the gas and pilot lines are not damaged during handling. These lines are fragile.**

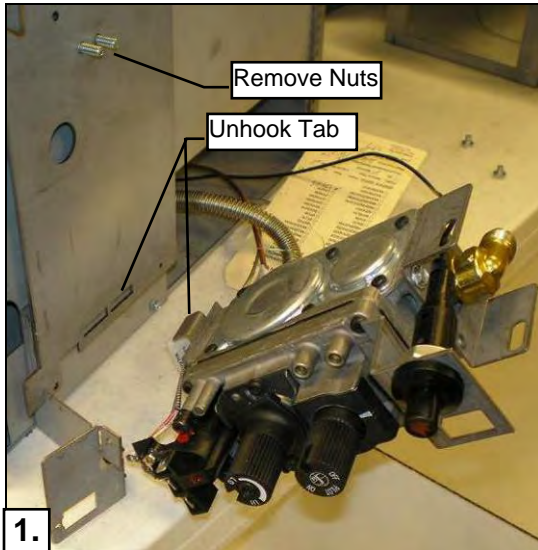
Remove [2] 3/8" nuts holding valve onto Component Plate. Unhook valve from Component Plate.



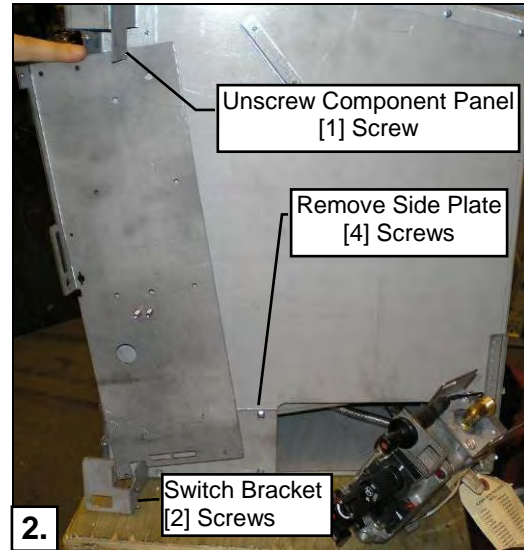
**Warning:** Failure to position the parts in accordance with these diagrams or failure to use only parts specifically approved with this appliance may result in property damage or personal injury.

**NOTE:** It is not necessary to disconnect pilot lines and gas supply line from valve to complete this procedure. Care should be taken to ensure that the gas and pilot lines are not damaged during handling. These lines are fragile.

**This procedure must be done Before the unit is inside the enclosure.**



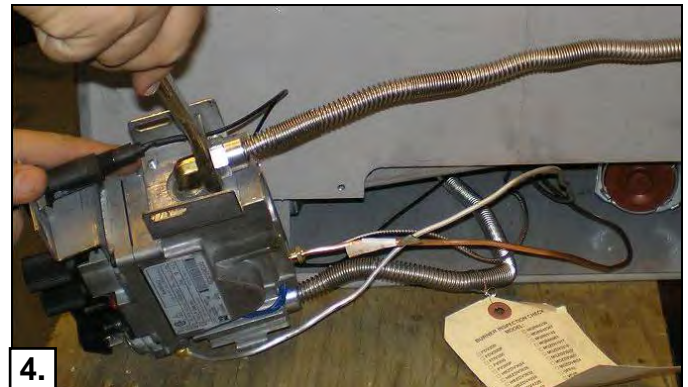
Remove [2] 3/8" nuts holding valve onto Component Panel. Unhook valve from Component Panel.



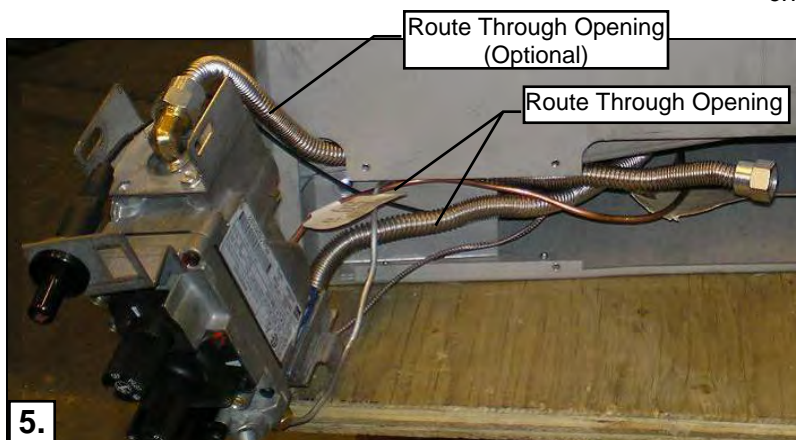
Remove Component Panel, Switch Bracket, and Side Plate.



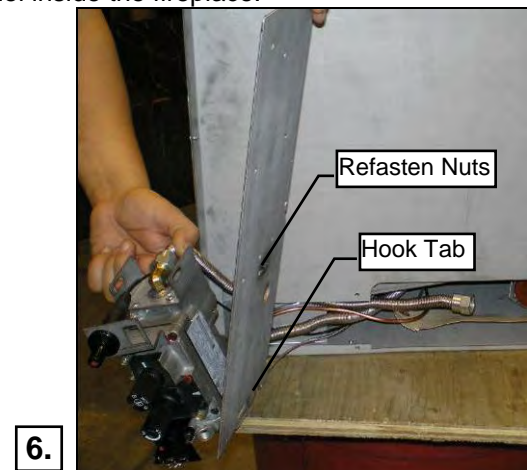
Remove knockout with side cutters, if present. Discard knockout.



**Optional-** Connect flex (Not included. Order PN# FP15GC) to inlet side of valve. This can then be connected to the gas supply and routed through the channel inside the fireplace.

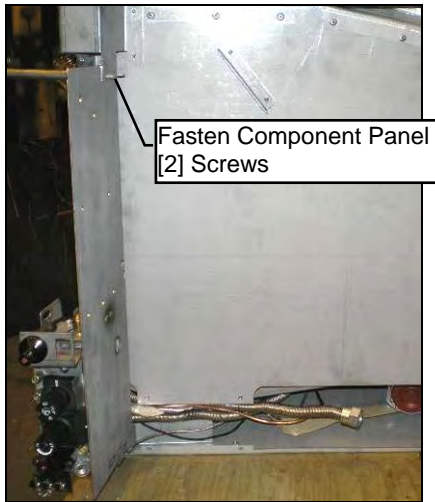


Route valve connections through the opening.

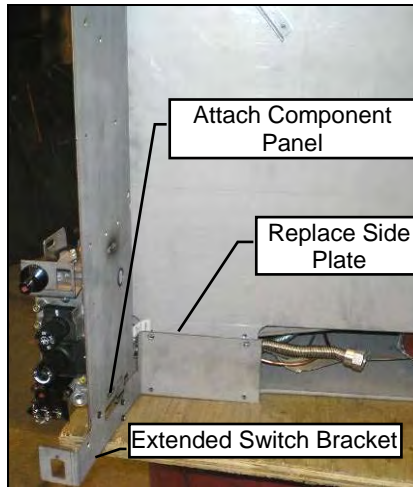


Mount Component Panel on opposite side of valve.





7. Fasten Component Panel at top.



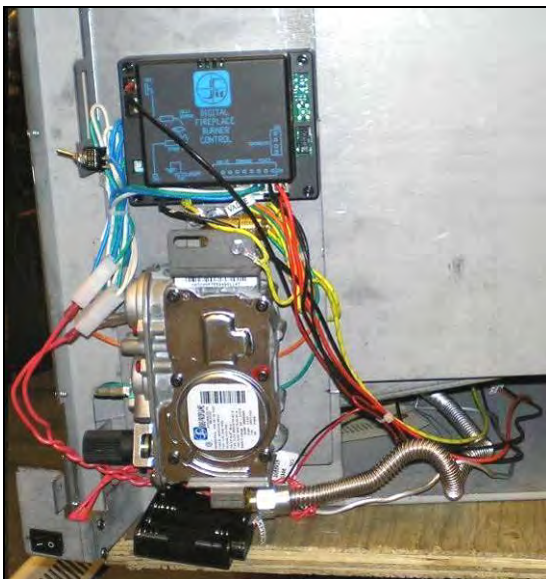
8. Replace Side Plate. Attach Component Panel and Extended Switch Bracket.



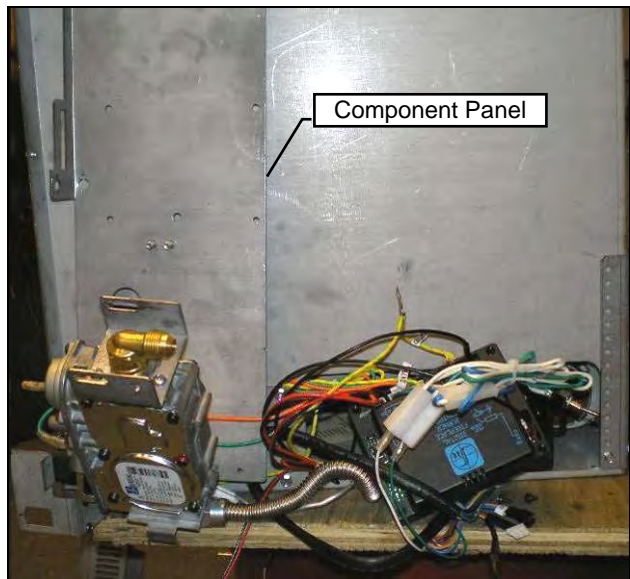
9. Procedure is complete.

**IDV26 -IPI- -Control Components Outside the Opening- -COMPONENTS OUT-**

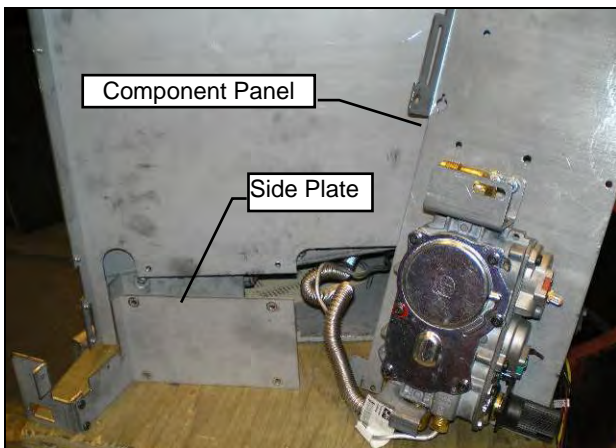
\*Refer to Millivolt section for more detailed photos & instructions.



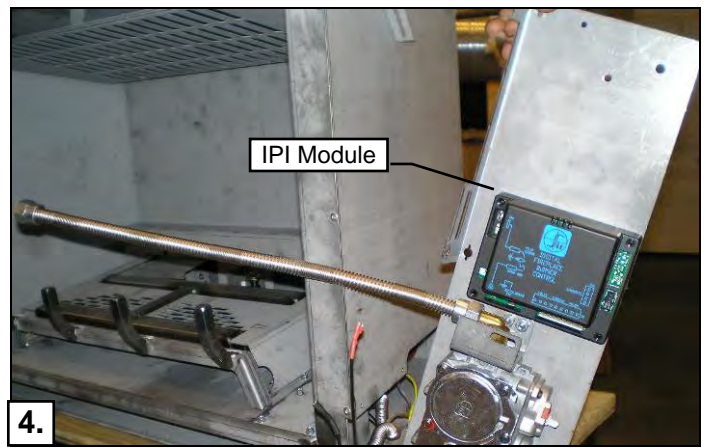
1. Ready to begin.



2. Remove All Components from Component Panel. Remove Component Panel from fireplace.

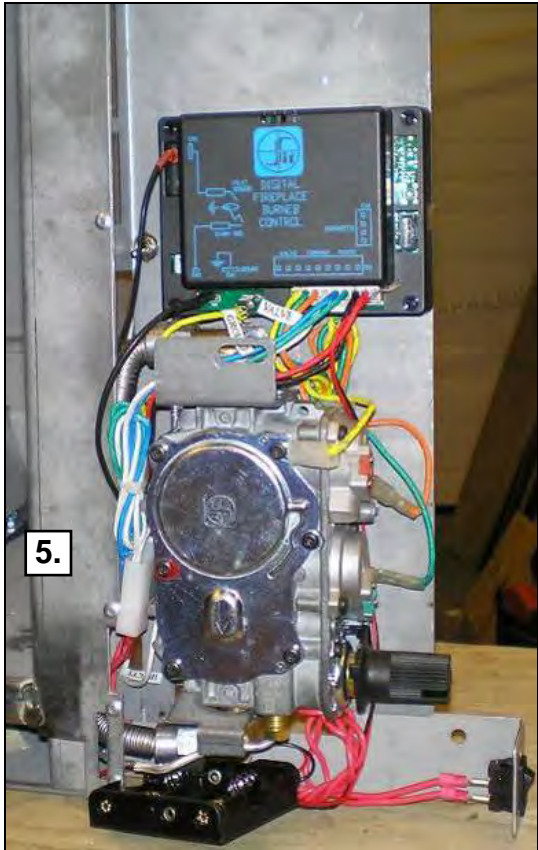


3. Remove Side Plate and knockout if present (see millivolt section). Place Component Panel on other side of valve.



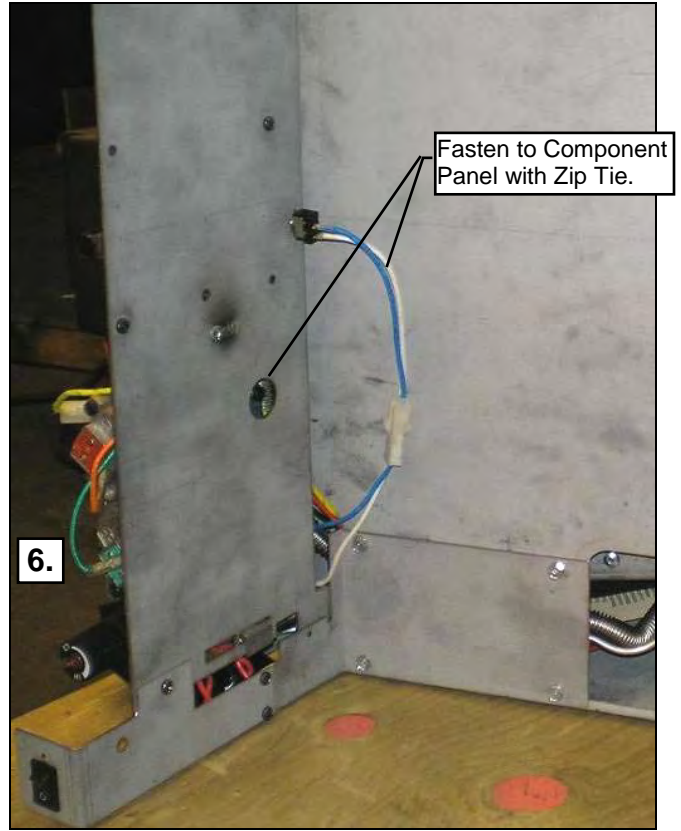
4. **Optional-** Connect flex (Not included. Order PN# FP15GC) to inlet side of valve. This can then be connected to the gas supply and routed through the channel inside the fireplace. (see millivolt section).





5.

Replace Side Plate. Fasten Component Panel at top & bottom. Attach Component Panel and Extended Switch Bracket (see millivolt section).



6.

Fasten to Component Panel with Zip Tie.

Procedure is complete.



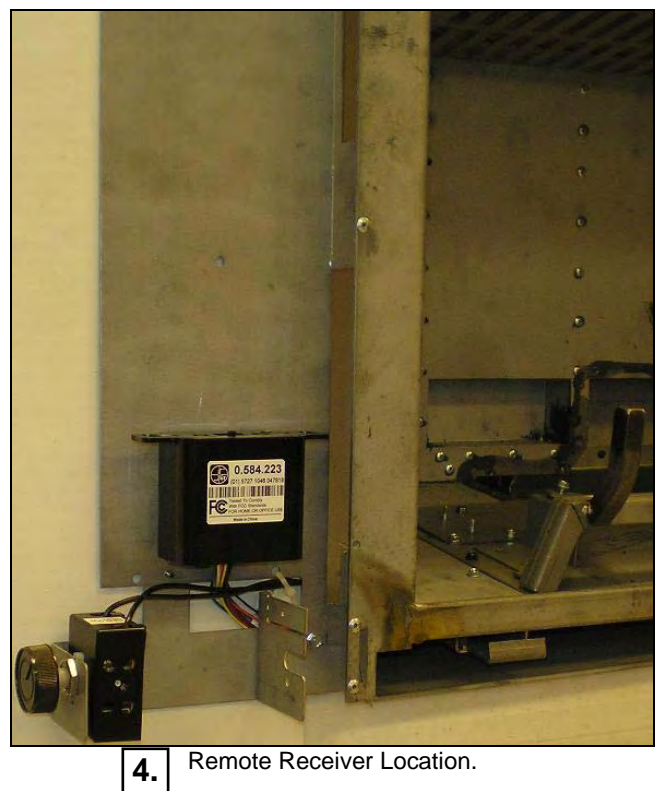
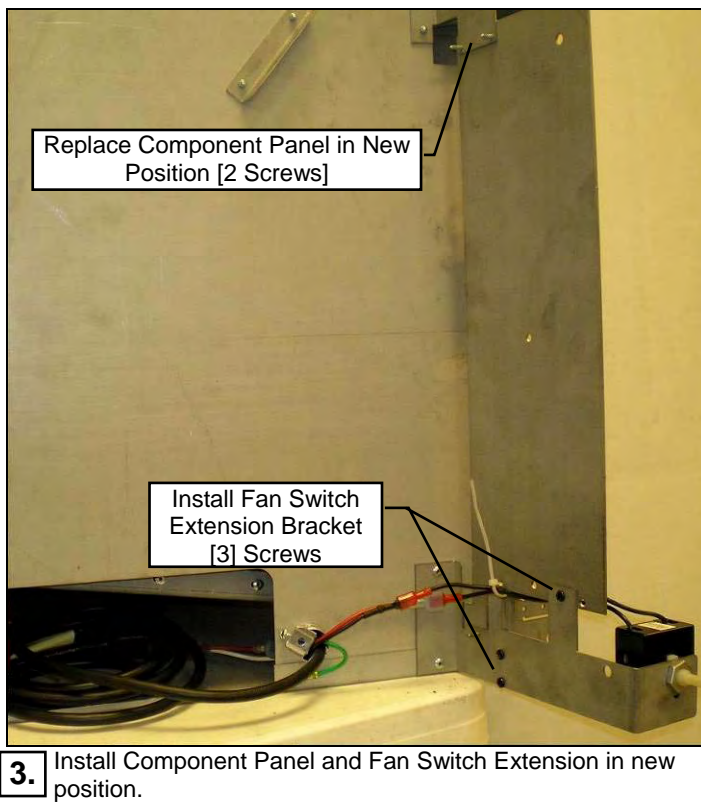
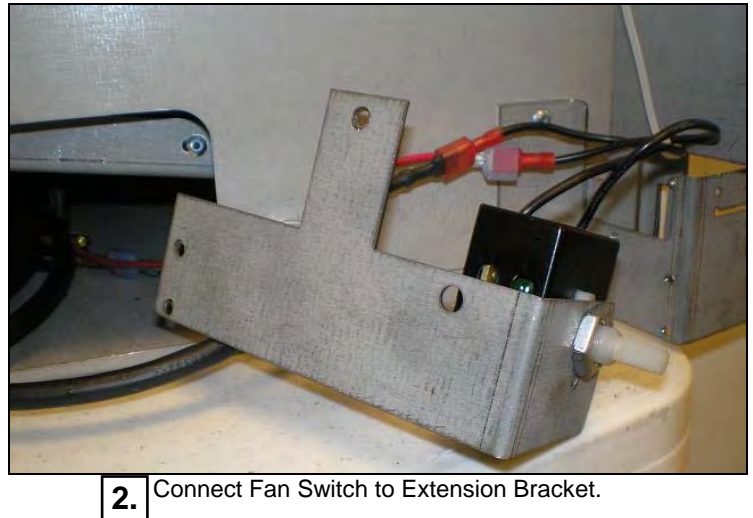
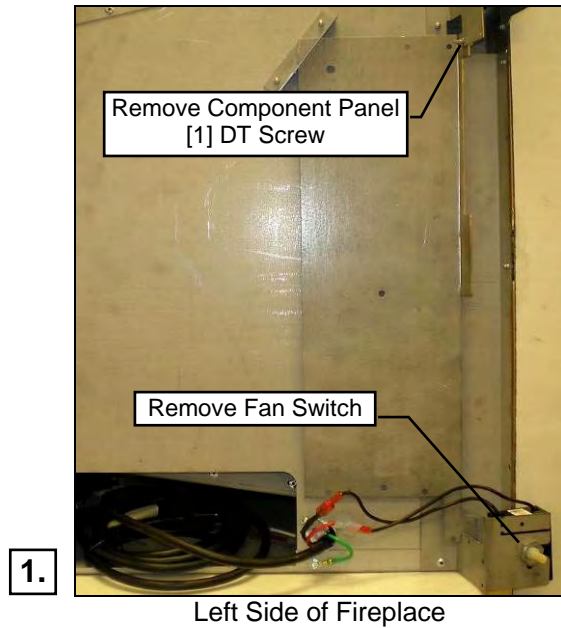
MILLIVOLT- COMPONENTS OUT



IPI- COMPONENTS OUT

**Warning:** Failure to position the parts in accordance with these diagrams or failure to use only parts specifically approved with this appliance may result in property damage or personal injury.

NOTE: It is not necessary to disconnect fan wiring to complete this procedure.  
This procedure must be done before the unit is inside the enclosure.





**WARNING****Electrical Grounding Instructions**

This appliance is equipped with a three prong (grounding) plug for your protection against shock hazard and should be plugged directly into a properly grounded three-prong receptacle. Do not cut or remove the grounding prong from this.

**Before Servicing**

1. Ensure all power supply is shut off.
2. Label all wires prior to disconnecting when servicing control. Wiring errors can cause improper and dangerous operation.
3. For fan servicing: Vacuum and clean lint/dirt build-up on the fan blades and motor.

When resealing the Fan Access Panel, use High Temp Silicone or Millpac.

**The fan can be accessed from the back of the unit (which is easiest on an uninstalled unit) or through the inside of the firebox.**

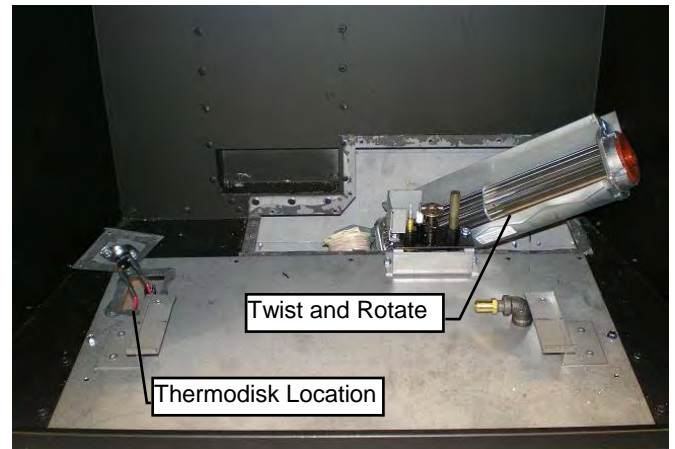
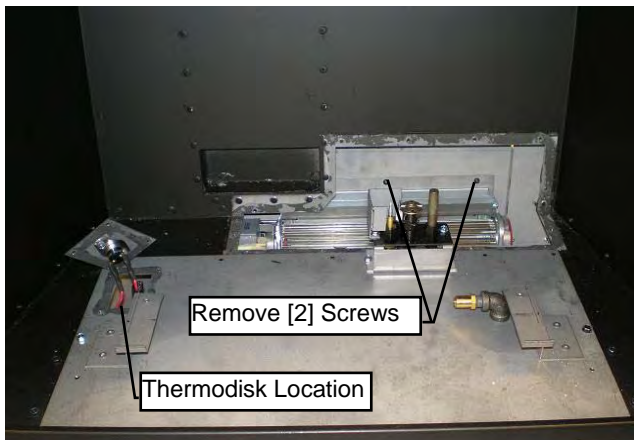
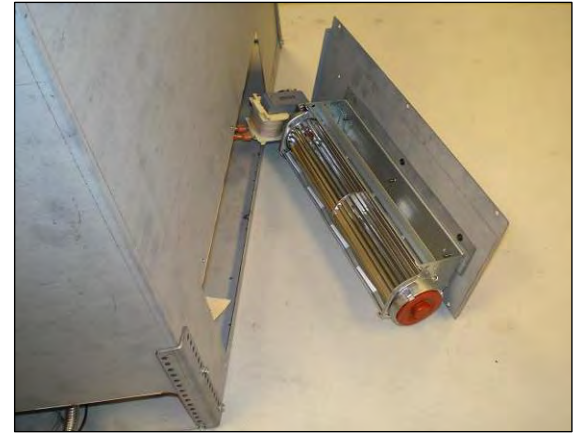
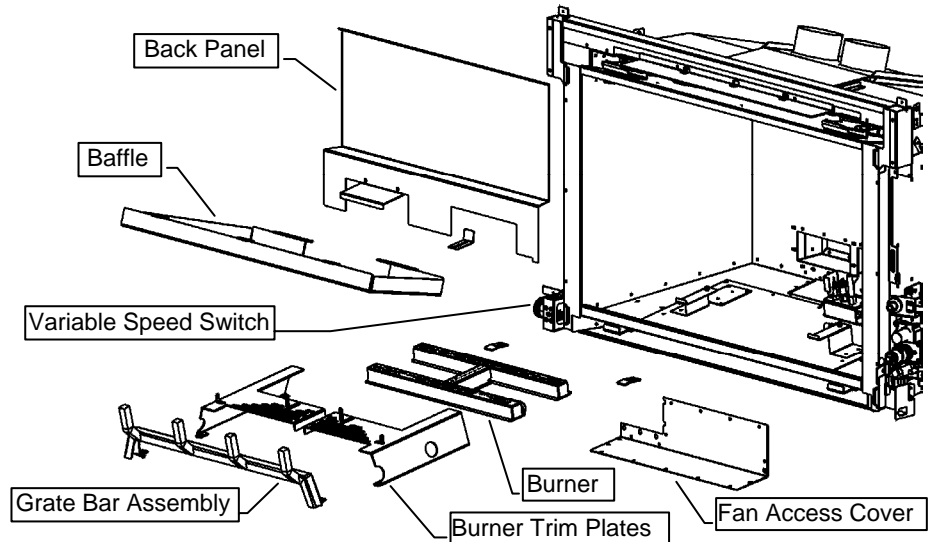
- To remove the fan from the back of the unit, remove the Fan Access Cover from the back of the fireplace. The fan will be attached to this cover (See right).

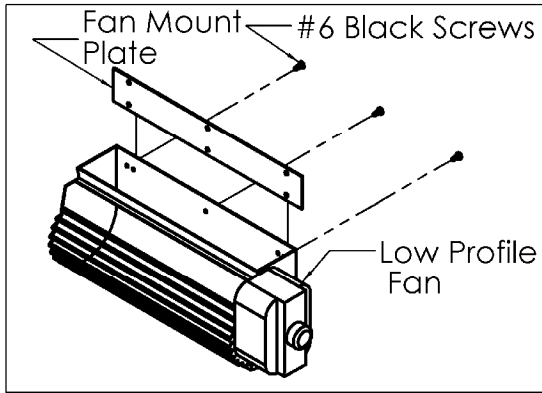
**Thermodisk Location:** Note the location of the Thermodisk in the photograph below.

**Variable Speed Switch Location:** Note the location of the Variable Speed Switch in the illustration below.

- To remove the fan through the inside of the firebox, refer to the procedure below.

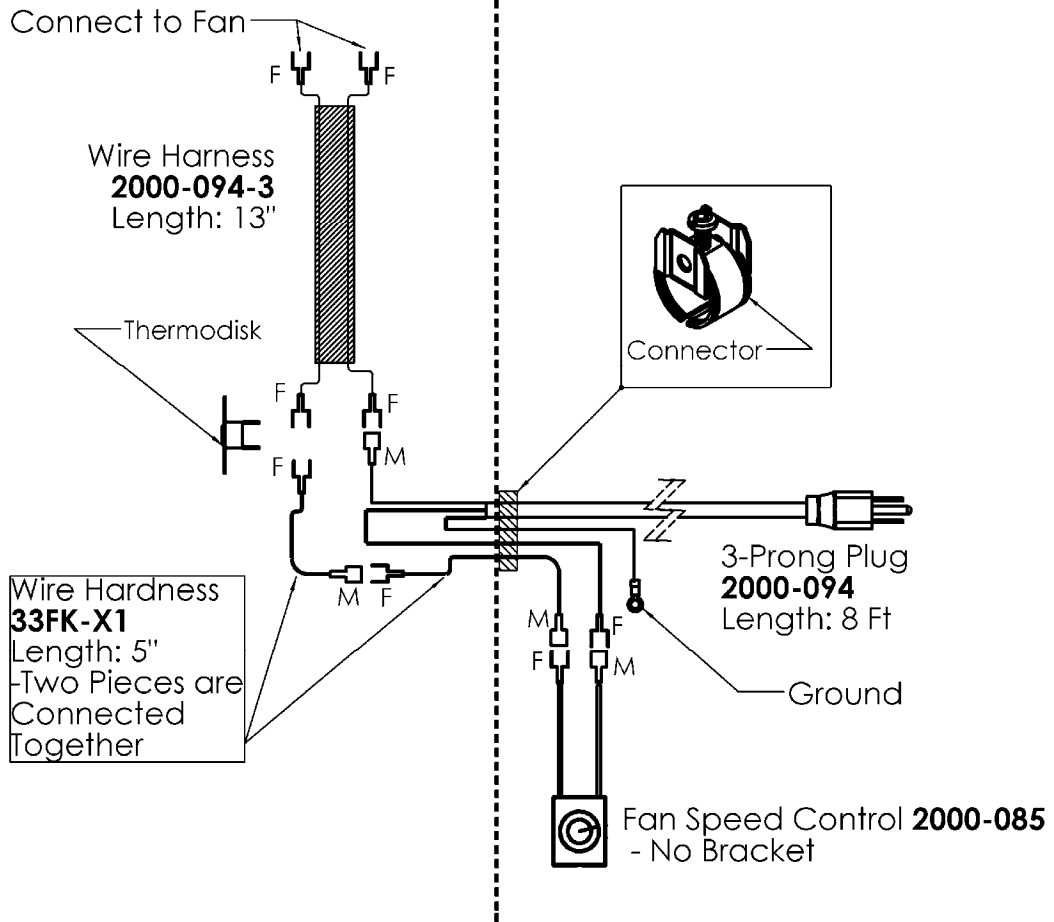
1. Remove Grate Bar Assembly, Burner Trim Plates, and Burner. Then remove the [5] screws in the firebox top holding the Baffle in place. Remove the Baffle. Then unscrew and remove the Back Panel.
2. Remove Fan Access Cover (15 screws). It is located on the back and bottom right hand corner. The fan will now be exposed (See photo below).
3. Unscrew the [2] screws and remove fan. Fan needs to be twisted and rotated slightly. (See photo below).
4. Replace all components and seal Fan Access Cover and Thermodisk Plate with Millpac.
5. Verify proper operation after servicing.





**Inside of Fireplace**

**Outside of Fireplace**



Fan System



**WARNING**

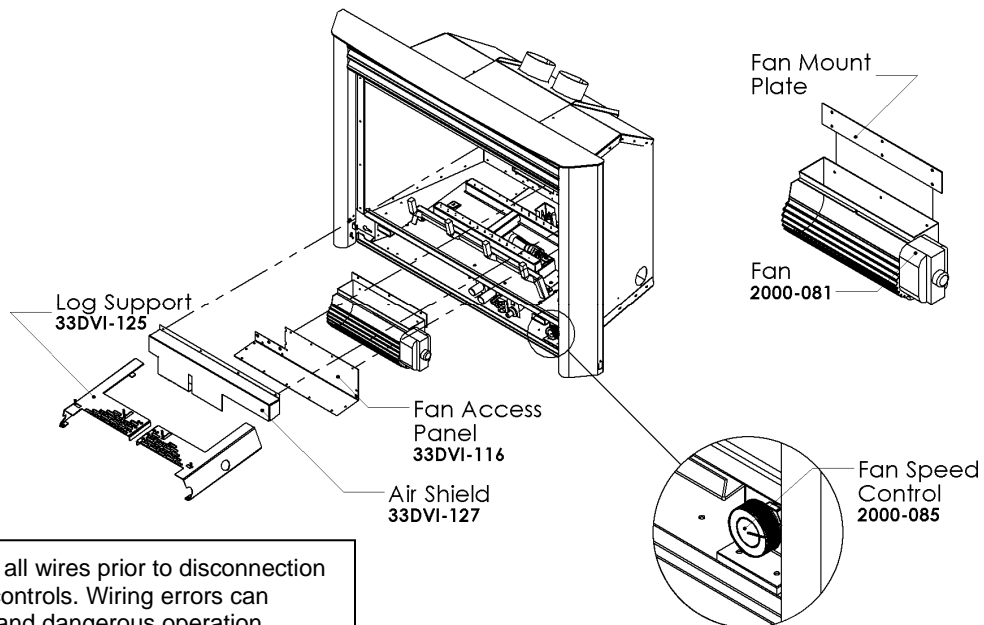
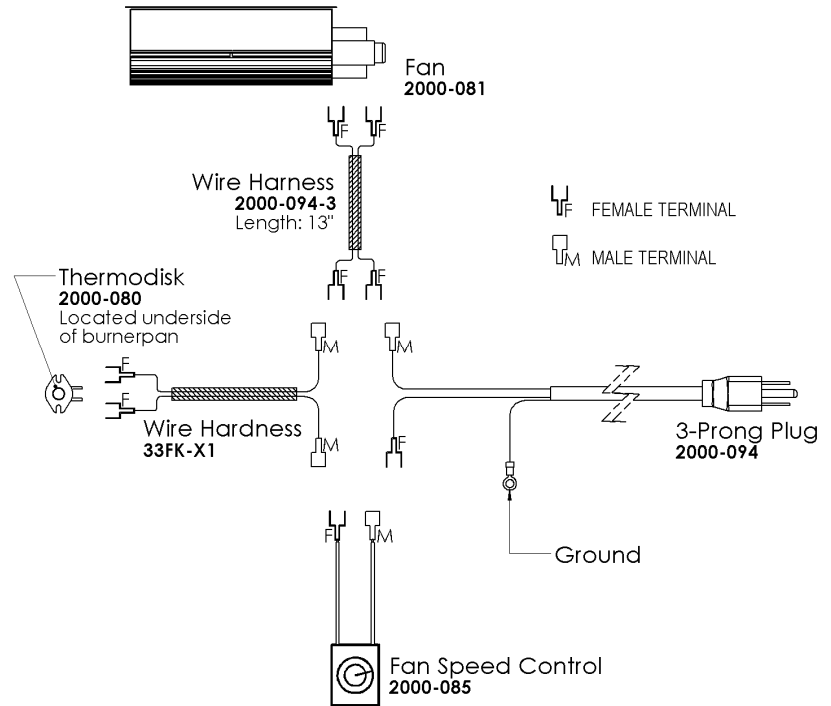
**Electrical Grounding Instructions**

This appliance is equipped with a three prong (grounding) plug for your protection against shock hazard and should be plugged directly into a properly grounded three-prong receptacle. Do not cut or remove the grounding prong from this.

**Before Servicing**

1. Ensure all power supply is shut off.
2. Label all wires prior to disconnecting when servicing control. Wiring errors can cause improper and dangerous operation.
3. For fan servicing: Vacuum and clean lint/dirt build-up on the fan blades and motor.
4. When resealing the Fan Access Panel, use High Temp. Silicone or Millpac.

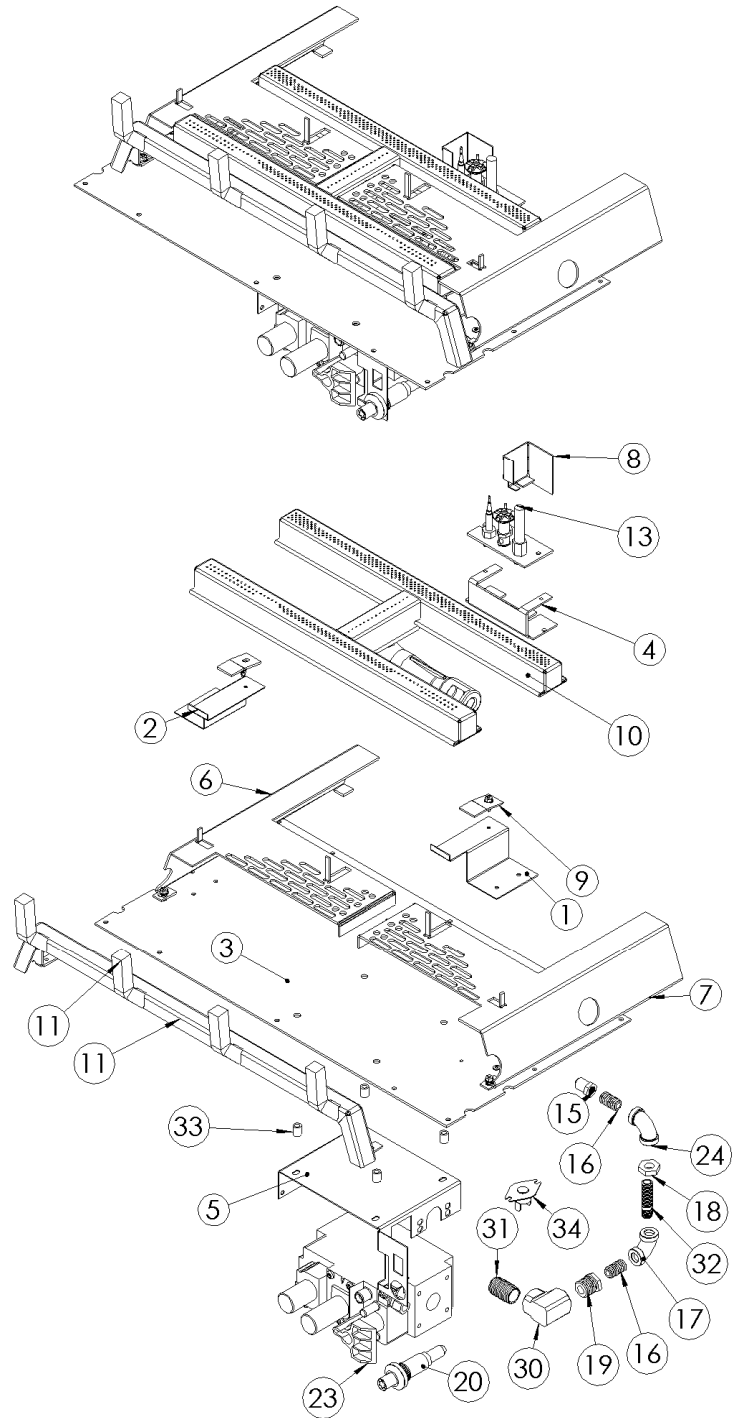
1. Remove glass door assembly and log set if installed. Be sure to handle logs carefully as they become fragile after heated.
2. Remove back air shield by unscrewing (4 screws).
3. Remove fan access panel (15 screws). It is located on the back and bottom right hand corner.
4. Remove the fan from the outer shell (2 screws). The fan needs to be twisted and rotated slightly. The fan's motor end will be lifted out first.
5. Reinstall fan, bracket and all necessary components, as shown below, once completed.
6. Verify proper operation after servicing.




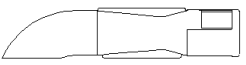
**Caution:** Label all wires prior to disconnection when servicing controls. Wiring errors can cause improper and dangerous operation. Verify proper operation after servicing.

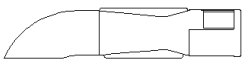
## IDV33/IDV36 Insert Burner Component List

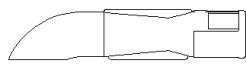
ITEM NO.	PART	DESCRIPTION	Qty.
1	3620-105	Burner Bracket	1
2	3620-105L	Burner Bracket	1
3	DVI33-107	Burner Pan	1
4	3620-111	Pilot Bracket	1
5	6000-112-1	Valve Bracket	1
6	DVI33-125L	Burner Trim Plate	1
7	DVI33-125R	Burner Trim Plate	1
8	DVI33-129	Pilot Shield	1
9	4200-132	Burner Hold Down	2
10	350-210	Front Burner Tube	1
10	350-211	Rear Burner Tube	1
10	5000-213	Burner Crossover Tube	1
10	5000-214	Crossover Bottom	1
10	5000-215	Burner Bottom	2
10	1001-281	Short Mixing Tube	1
11	2000-224	Grate Bar Holder	1
11	38VF-119	Grate Bar	4
13	1001-P713SI (LP)	Pilot Assembly – LP	1
13	1001-P714SI (NG)	Pilot Assembly – NG	1
15	1000-255	1/8 Orifice	1
16	1000-253	1/8 x 3/4 Closed Nipple	2
17	2000-213	1/8 90° Elbow	1
18	1000-P203VE	1/8 Brass Lock Nut	1
19	1000-P202VE	3/8 x 1/8 Bushing	1
20	1000-214	Piezo Igniter	1
21	1000-215	Piezo Pal Nut (18x1.5mm)	1
23	1000-P633SI (LP)	Valve – LP	1
23	1001-P634SI (NG)	Valve – NG	1
24	2000-213	1/8 90° Elbow	1
25	36HB-165	Rock Box Base	1
26	36HB-166	Rock Box Top	1
27	6000-225	Ember Plate	2
28	6000-226	Ember Plate Bridge	1
29	DVI33-167	Back Rock Support	1
30	ELBO90-500	3/8 90° Brass Elbow FPT	1
31	3/8 x 1 C. Nipple	3/8 Brass Nipple	1
32	1/8 x 1-1/2 Nipple	1/8 x 1-1/2 Brass Nipple	1
33	3/8 Spacer	5/16OD x 3/16ID x 3/8 Spacer	4
34	2000-080	Snap Disc	1



IDV 33  
#35 BRASS CAP ORFICE - NATURAL  
  
SET PRIMARY AIR .187" (3/16")

IDV 33  
#51 BRASS CAP ORFICE - PROPANE  
  
SET PRIMARY AIR .500" (1/2")

IDV 36  
#32 BRASS CAP ORFICE - NATURAL  
  
SET PRIMARY AIR .187" (3/16")

IDV 36  
#50 BRASS CAP ORFICE - PROPANE  
  
SET PRIMARY AIR .500" (1/2")

# Millivolt System, Lighting, and Burner Control

## FOR YOUR SAFETY READ BEFORE LIGHTING

**WARNING:** If you do not follow these instructions exactly, a fire or explosion may result causing property damage, personal injury or loss of life.

### BEFORE LIGHTING

- A This appliance has a pilot which must be lighted by hand. When lighting the pilot, follow these instructions exactly.
- B Smell all around the appliance area for gas. Be sure to smell next to the floor because some gas is heavier than air and will settle on the floor.
- WHAT TO DO IF YOU SMELL GAS**
- Do not try to light an appliance.
  - Do not touch any electrical switch; do not use any phone in your building.
- Immediately call your gas supplier from a neighbour's phone. Follow the gas supplier's instructions.
  - If you cannot reach your gas supplier, call the fire department.
- C Use only your hand to push or turn the gas control knob. Never use tools. If the knob will not push in or turn by hand, don't try to repair it. Call a qualified technician. Force or attempted repair may result in a fire or explosion.
- D Do not use the appliance if any part has been under water. Immediately call a qualified service technician to inspect the appliance and to replace any part of the control system which has been under water.

### LIGHTING INSTRUCTIONS

- Stop! Read the safety information above this label.
- Set the thermostat to lowest setting.
- Turn off all electrical power to the appliance.
- Locate valve under the burner assembly.
- If the control knob is not already in the off position, i.e. the word "OFF" in the 9 o'clock position, then push in the gas control knob slightly and turn ⤵ clockwise to "OFF". NOTE: Knob cannot be turned from "PILOT" to "OFF" unless knob is pushed in slightly. Do not use force.
- Wait five [5] minutes to clear out any gas. If you then smell gas. STOP! Follow "B" in the safety information above on this label. If you don't smell gas then go to the next step.
- Now push in the control knob slightly and turn ⤴ counter-clockwise to the "PILOT" position.
- Push in the control knob all the way and hold it. With the other hand push in the red ignitor button until you hear a click. Now observe closely the pilot burner located on the rear center-left hand side of the main burner. If a flame has appeared then continue to depress the control knob for 20 seconds. If the flame did not appear then continue to depress the red ignitor button every 5 seconds until a flame is established. NOTE: If after 30 seconds a flame has not yet been established then turn the control knob back to the off position and repeat steps 5, 6 & 7.
- Once the pilot has been established hold the control knob in the depressed position for approximately 25 seconds before releasing. If the flame goes out then repeat steps 7 and 8.
- Now turn the control knob to the "ON" position. The burner will not light unless the wall switch thermostat or remote control is turned "ON" or in the case of the thermostat there is a call for heat.
- Close the access door and turn all electrical power back to the appliance.
- The pilot must be turned off when the unit is not in use.

### TO TURN OFF THE APPLIANCE

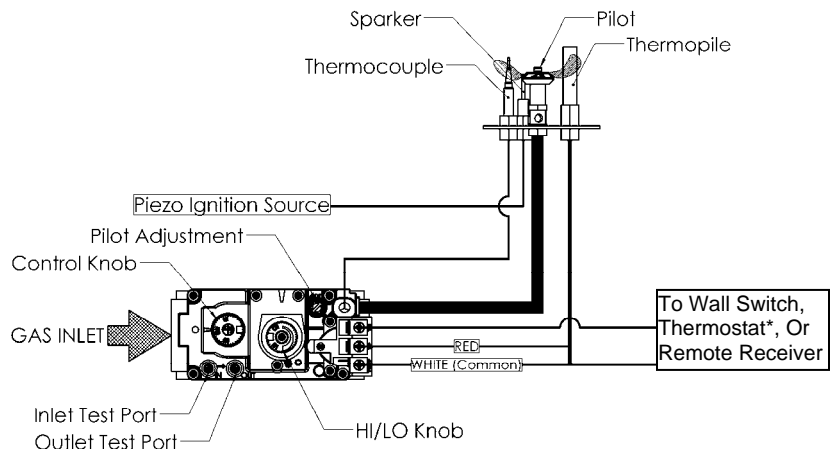
- Set the thermostat to lowest setting.
- Turn off all electric power to the appliance if service is to be performed.
- Open the control access door.
- Push in the gas control knob slightly and turn ⤵ clockwise to the "OFF" position. Do not force.
- Replace control access panel.

**NOTE:** Only one on/off device (manual on/off, remote control, or hard wired thermostat) should be connected to the appliance at any one time, this is most important when installing a insert or stove as the on/off rocker switch is installed at the factory.

Recommended Maximum Lead Length (Double Wire)  
When Using Wall Switch or Thermostat

Wire Size	Max. Length
14ga	100ft [30.4m]
16ga	64ft [19.5m]
18ga	40ft [12.1m]
20ga	25ft [7.6m]
22ga	15ft [4.5m]

**CAUTION: DO NOT WIRE 120V POWER TO MILLIVOLT SWITCHES OR THERMOSTAT.**

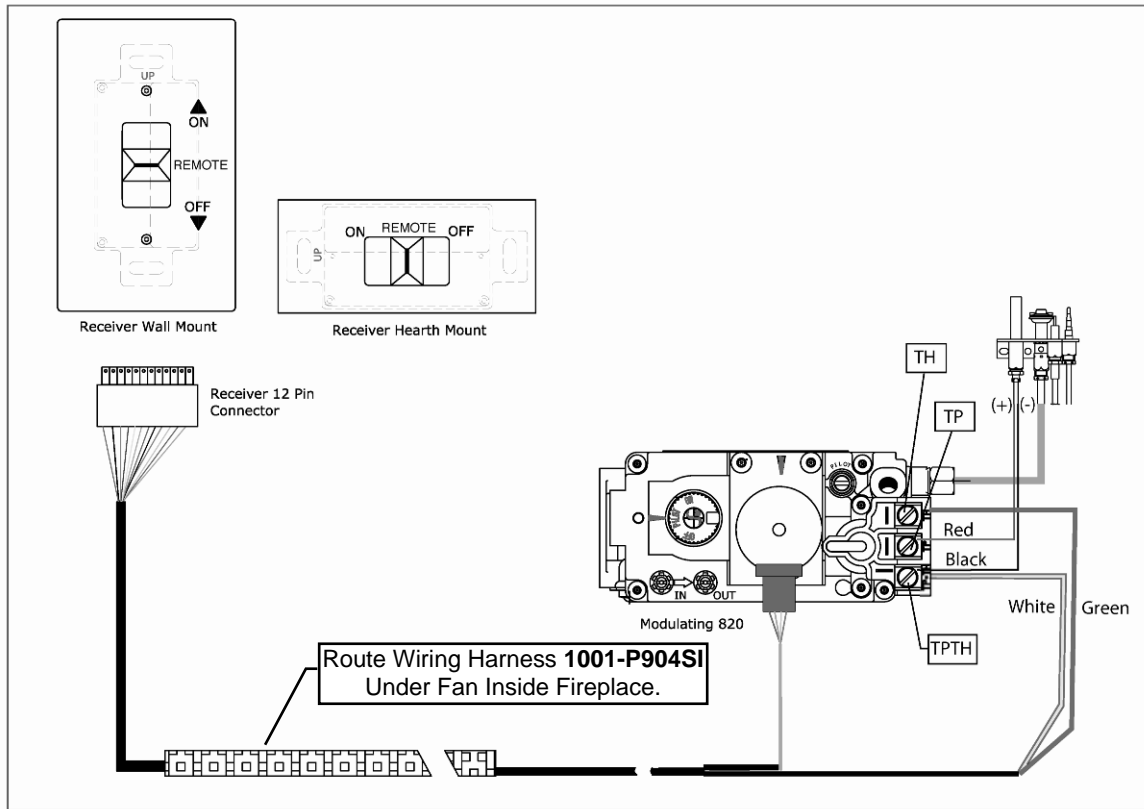


\*In the U.S.A. Thermostats are not permitted for Vented Gas Fireplaces (ANSI Z21.50b-2009 -Decorative).

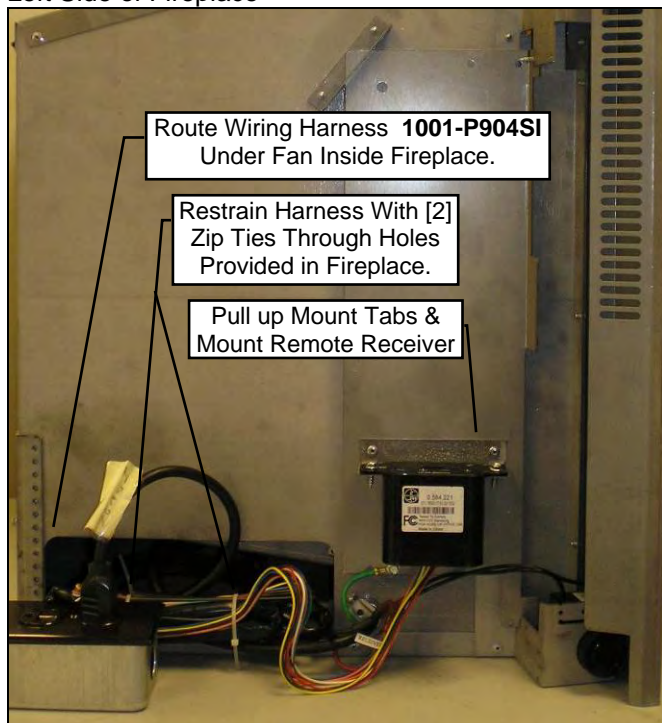


**Connecting to the Gas Valve**

The wiring harness for the Proflame GTM system has two wires labeled “TH” & “TPTH”. Connect the wires to the gas valve as labeled. (TH to TH and TPTH to TPTH). Additionally there is a connector labeled “Motor”. Connect this “Motor” connector to the stepper motor on the gas valve (if present).



Left Side of Fireplace



Components In (As Shipped)



Components Out Remote Receiver Location.

# IPI Electronic Ignition System

## Overview

The IPI system is an advanced burner controller that provides you with the option of having either a Standing-Pilot, or an intermittent igniting system. This alternating mode is controlled by the CPI/IPI Switch (Continuous Pilot Ignition/Intermittent Pilot Ignition) located on the IPI System Box. The difference between a Standing-Pilot and an Intermittent-Pilot is in whether the pilot stays lit or shuts off:

In Standing-Pilot, the pilot assembly is lit by the IPI Main Module and continues to stay lit until 1) the CPI/IPI Switch is switched to the IPI position; 2) a loss of electrical power (battery and AC source), 3) the flame sensor loses its signal, 4) the fuel supply discontinues, or 5) the IPI Main Module malfunctions.

In the Intermittent-Pilot mode, the pilot shuts off when the appliance is not in use. The advantage of this mode is that fuel is not consumed when the fireplace is not operating.

**NOTE:** In some jurisdiction, Intermittent-Pilot is required. That means the pilot cannot remain lit when the appliance is not operating.

## Components

The core of the IPI system is the Main Module and the IPI Valve. With these two components the system is able to operate a gas fireplace. There are also other components available to complement the IPI system.

**IPI System Cover:** Is essential in keeping the components at their proper operating temperatures. **DO NOT OPERATE THE APPLIANCE WITHOUT THIS COVER.**

**Modulating Servo Motor:** Is an add-on valve component that permits HI/LO functionality to be controlled by the remote. Contrary to this feature is a Manual HI/LO Control Knob. The Modulating Servo Motor requires the Remote system to be present.

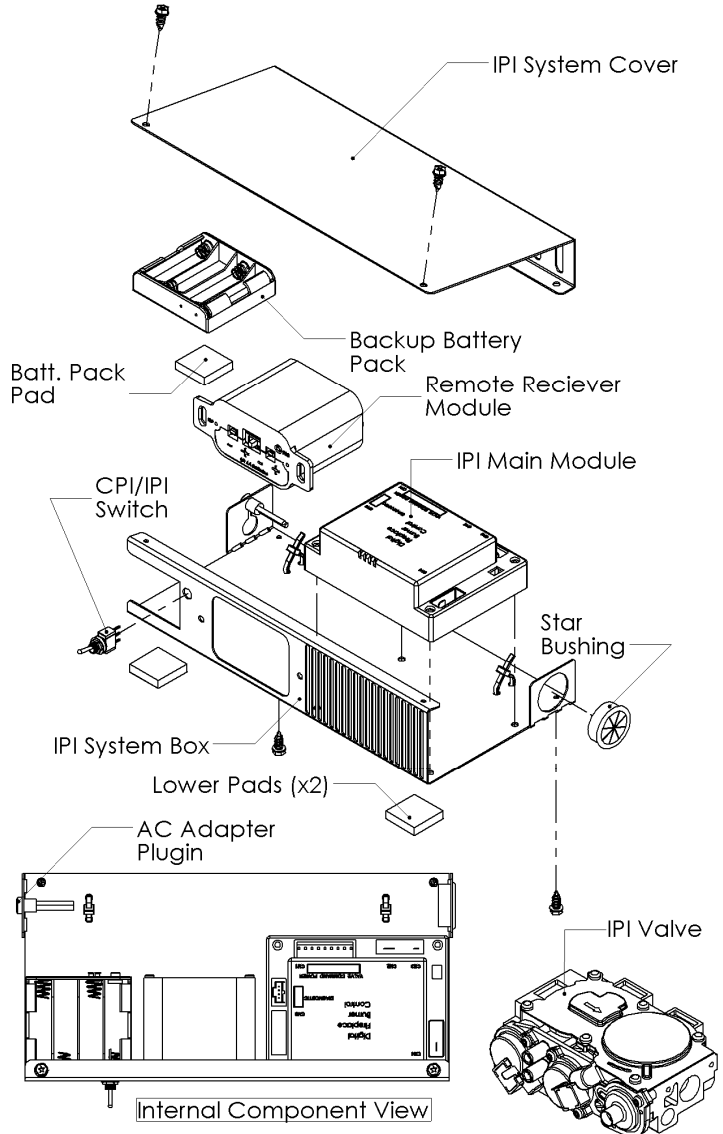
**Backup Battery Pack:** This component permits the IPI system to operate without the need for an external AC Adapter power source. The advantage to using the battery backup is that in the case of a power failure, the appliance is still operable.

**NOTE:** In certain instances the IPI Main Module requires resetting. This can occur if the system is unable to ignite the pilot or the main burner in the allotted time period. The IPI is programmed to lockout all commands. To reset this lockout you must deplete the system of all electrical power. This means to remove the batteries from the Battery Pack, remove the batteries from the Remote Receiver (if applicable), and disconnect the AC Adapter from the system. Leave the power off for approximately 25 seconds to clear its lockout.

**Remote Receiver:** This component provides the capability of controlling the appliance with a wireless remote transmitter. There are two switches to note on the receiver module:

The first switch on the Remote Receiver module is a 3-position slide switch. This switch is used to either manually turn the main burner ON, activate the receiver to begin communication with the transmitter, or turn the main burner completely OFF. The position of the slide switch designates these functions respectively.

The second is the small round pushbutton [PRG] used for programming the receiver to respond to a designated remote. Therefore to program the system ensure that the transmitter is first turned OFF. Then, ensure that there is sufficient electrical power going to the Receiver module and a fresh set of batteries in the transmitter. Now switch the slide switch to the middle [REMOTE] position and then push the small pushbutton to begin programming. Bring the transmitter close to

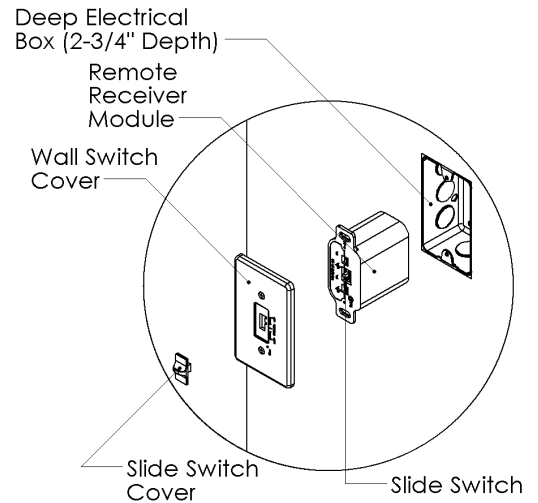


## IPI Electronic Ignition System

the receiver and then press the power button [⏻] on the transmitter. An audible beep will sound to indicate the system is programmed and ready to be used.

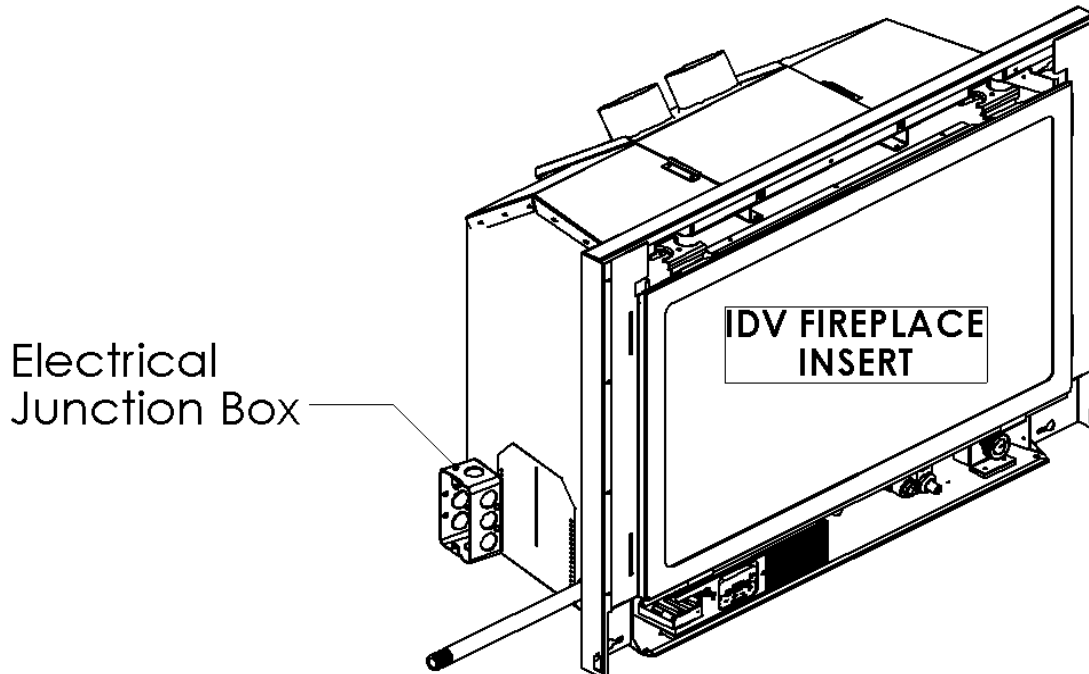
**NOTE:** The Remote Receiver module can also be located outside of the appliance to a maximum of 6ft away installed in a certified deep wall switch electrical box (2-3/4" depth). For this configuration an extension wiring harness (P/N: 1001-P904SI) is required.

**Electrical Supply in Series:** The entire IPI system can be powered by a single power source (i.e. by the AC Adapter). This is advantageous if you do not want to supply extra batteries. To achieve this simply connect the AC Adapter into the Remote Control wiring harness instead of the main IPI harness. From the Remote wiring harness, use its male plug-in connector and connect it to the female plug-in in the main IPI harness. Now the circuit is complete. So the way it works is that electrical power is supplied to the Remote Receiver module and then proceeds to the Main IPI module. Furthermore, note that a Backup Battery Pack is not required in this configuration. Instead, batteries in the Remote Receiver act as the backup supply.

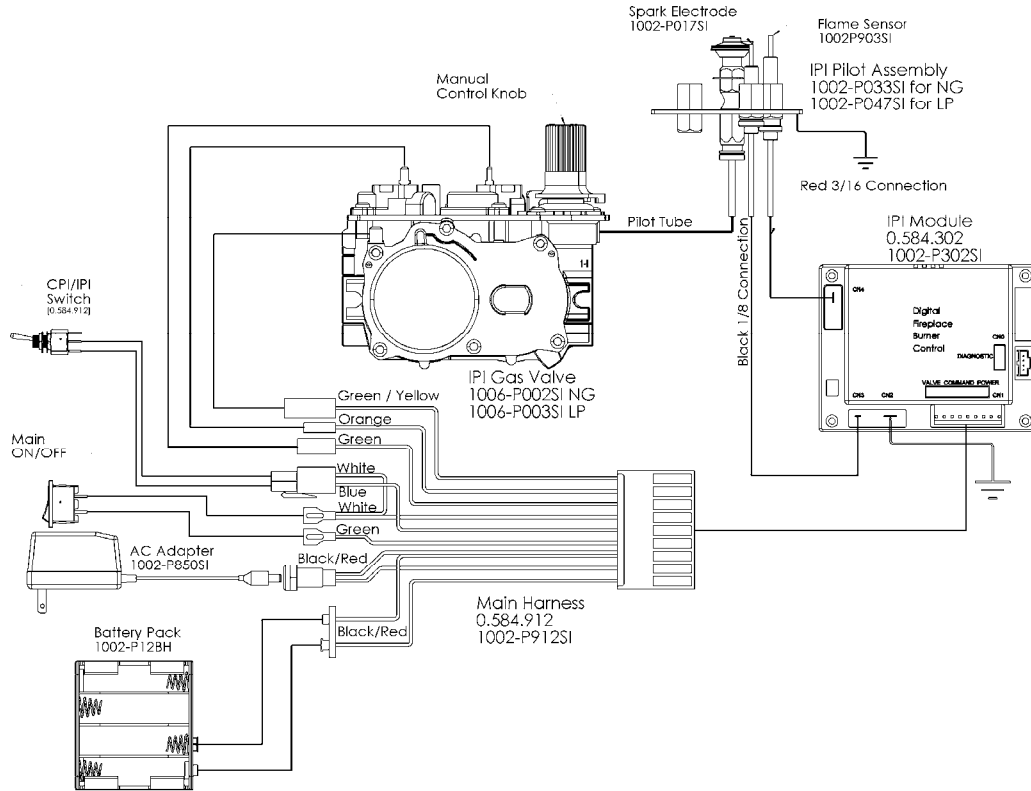


### Junction Box Location

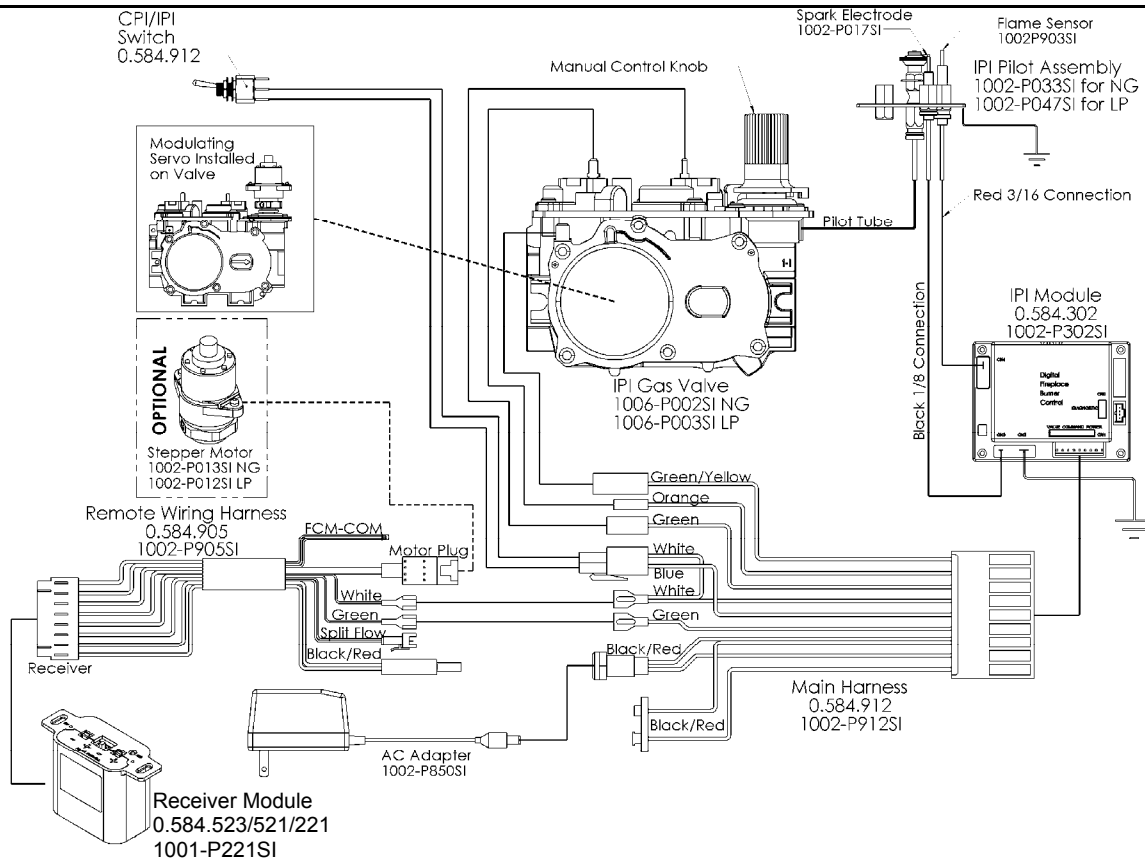
The electrical junction box must be located on the outside of the appliance near the bottom as shown in the illustration to the right. Be sure to follow local electrical codes when install the junction box.



# IPI Electronic Ignition System



Configuration #1: Basic manual HI/LO and manual ON/OFF capabilities.



Configuration #2: Remote ON/OFF and manual HI/LO capabilities. OPTIONAL: For units with remote HI/LO capabilities, a modulating servo is required to be installed on the valve. The connectors to this servo must be connected to the Remote Harness as shown in the figure above.

# Electronic Ignition Lighting Instructions

## **WARNING**

If you do not follow these instructions exactly, a fire or explosion may result causing property damage, personal injury or loss of life.

Always light the pilot whether for the first time or if the gas supply has ran out with the glass door opened or removed.



### **FOR YOUR SAFETY READ BEFORE LIGHTING:**

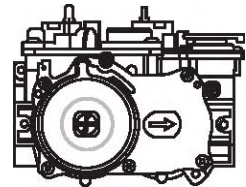
- A. This fireplace is equipped with an ignition device which automatically lights the pilot. Do **NOT** try to light by hand.
- B. Before operating smell all around the fireplace area for gas and next to the floor because some gas is heavier than air and will settle on the floor.
- C. Do not use this fireplace if any part has been under water. Immediately call a qualified service technician to inspect the fireplace and replace any part of the control system and any gas control which has been under water.

### **WHAT TO DO IF YOU SMELL GAS:**

- Turn off all gas to the fireplace.
- Open windows.
- Do not try to light any appliance.
- Do not touch any electric switch; do not use any phone in your building.
- Immediately call your gas supplier from a neighbor's phone. Follow the gas supplier's instructions.
- If you cannot reach your gas supplier, call the fire department.

### **LIGHTING INSTRUCTIONS**

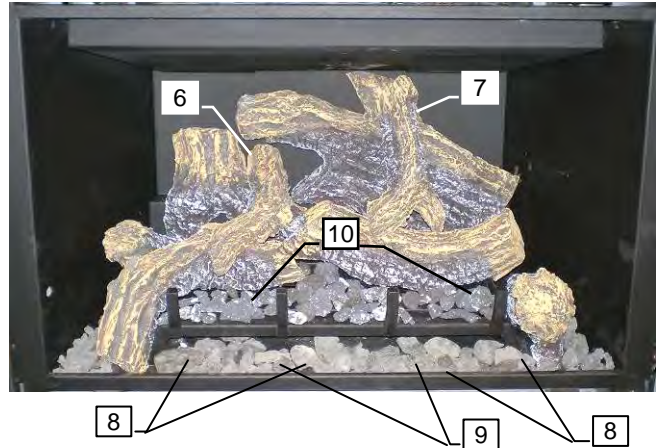
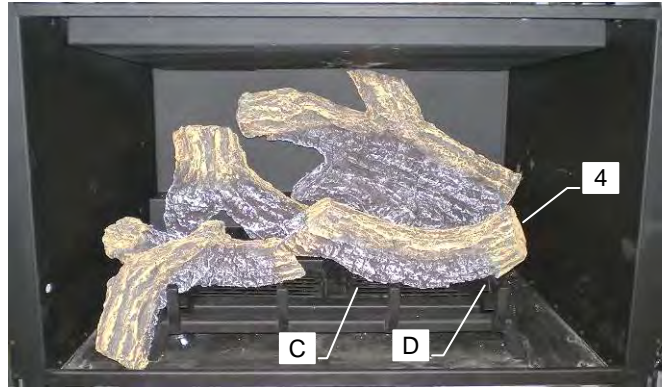
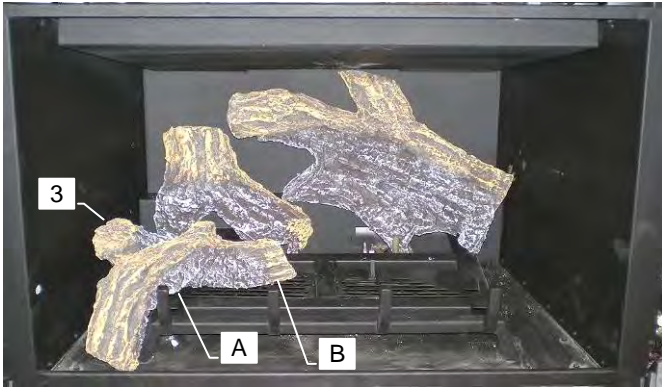
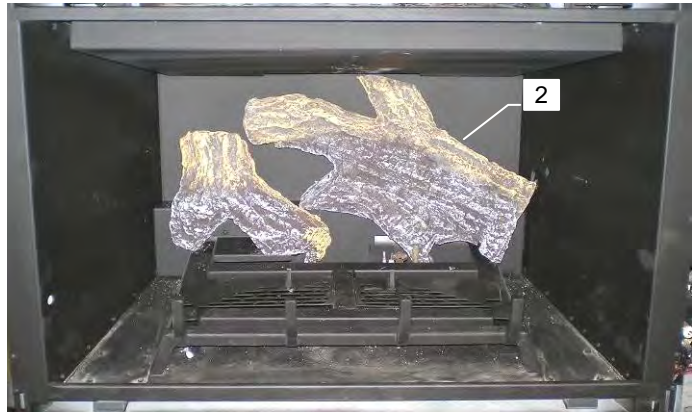
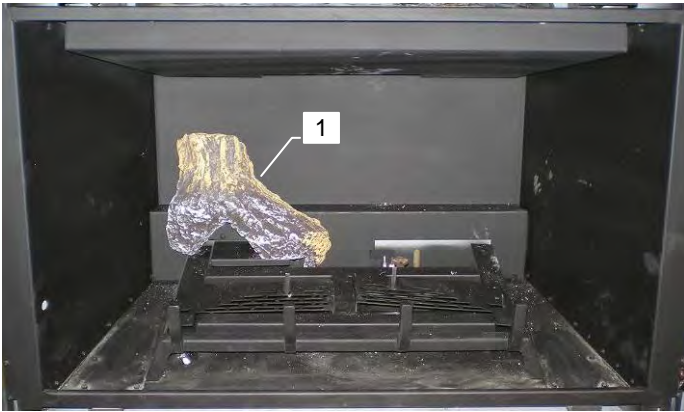
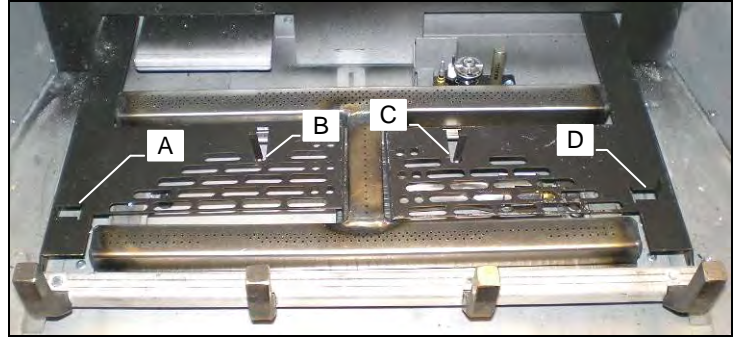
1. Stop! Read the above safety information on this label.
2. Remove batteries from receiver, and/or Battery Backup Pack.
3. Turn off all electric power to the fireplace.
4. This fireplace is equipped with an ignition device which automatically lights the pilot. Do not try to light the pilot by hand.
5. Open the glass door.
6. Turn manual shutoff valve clockwise  to off (Located behind the access panel).
7. Wait five (5) minutes to clear out any gas. If you smell gas including near the floor, **STOP!** Follow "B" in the above safety information on this label. If you don't smell gas go to the next step.
8. Turn manual shutoff valve counter-clockwise  to on.
9. Close the glass door.
10. Turn on all electric power to the fireplace and re-install batteries into the Transmitter/ Receiver, and/or Battery Backup Pack.
11. Turn "On" Switch that operates the Main Burner. If using a Remote Control refer to Remote Control Operation Manual for activation.



### **TO TURN OFF GAS**

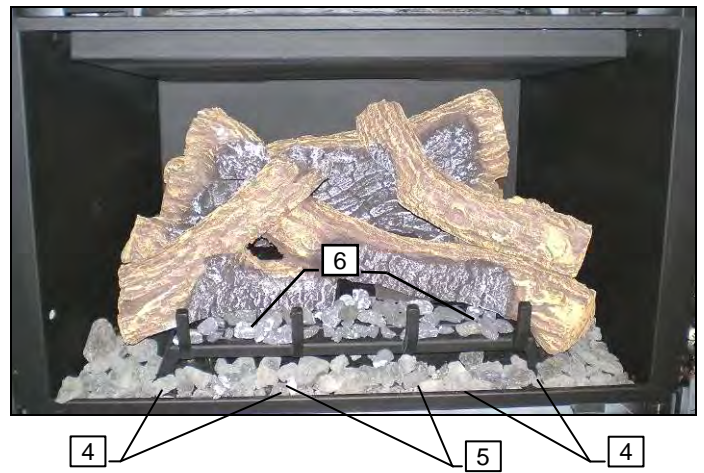
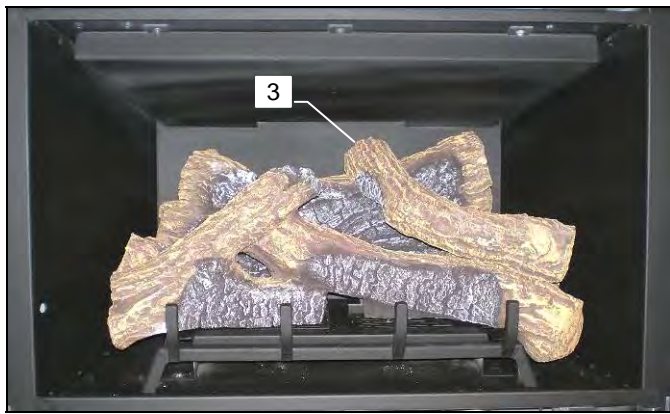
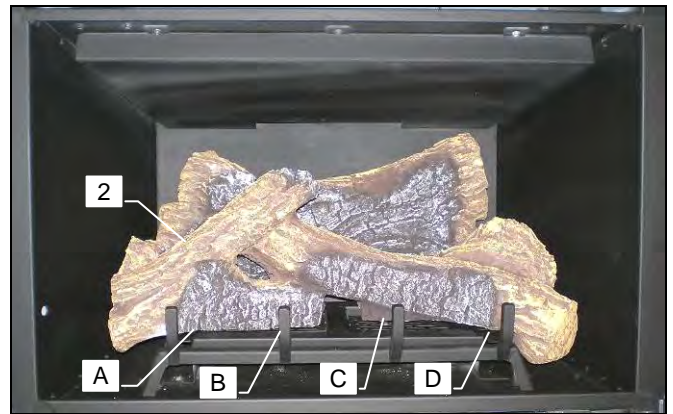
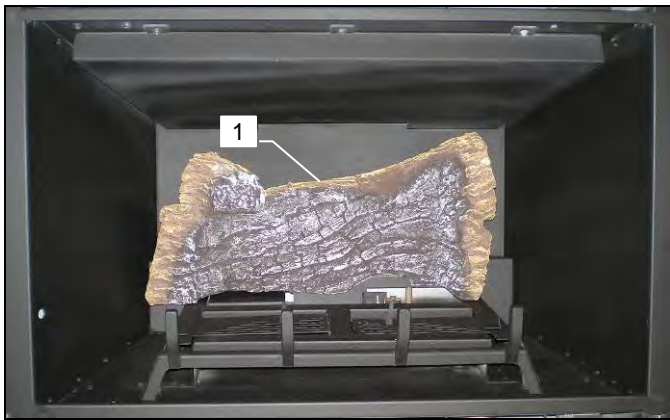
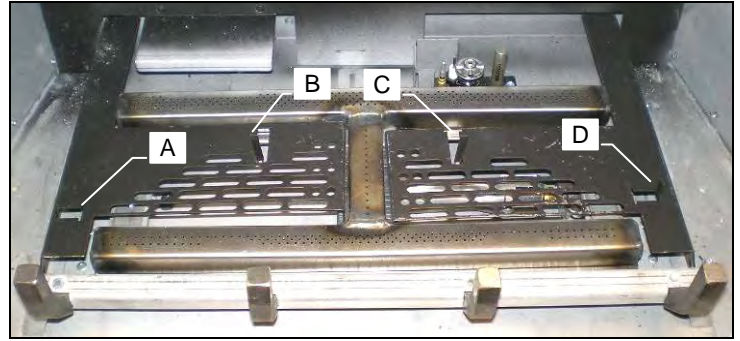
1. Turn off all electric power to the fireplace if service is to be performed, including removing batteries from Remote Transmitter/Receiver and/or Battery Backup Pack.
2. Access door inside the firebox must be removed to access the manual shutoff valve.
3. If alternate shut-off valve was installed it can be shutoff instead of going through the fireplace to access the fireplace shut off valve.





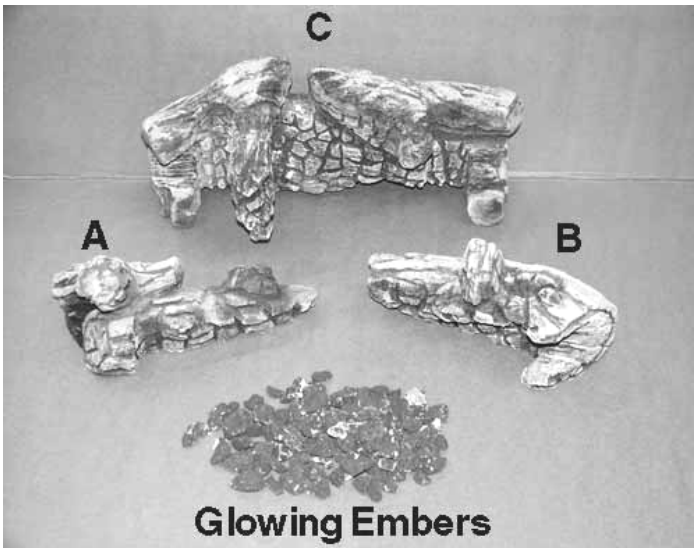
**WARNING:** Failure to position the parts in accordance with these diagrams or failure to use only parts specifically approved with this appliance may result in property damage or personal injury.



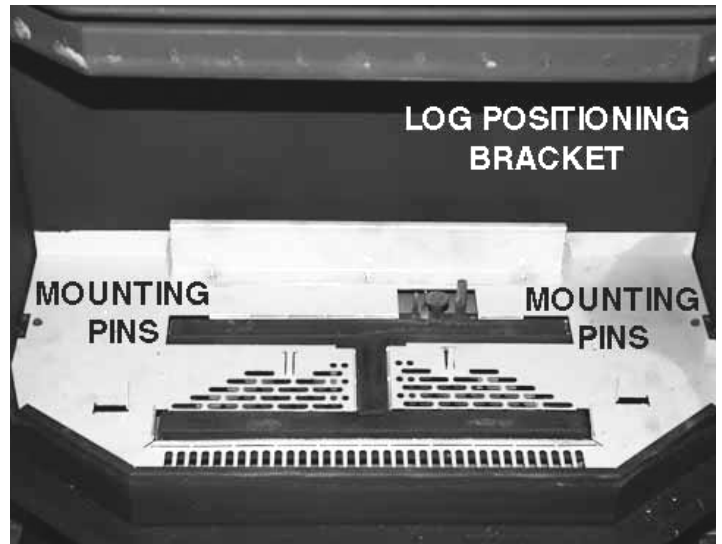


**WARNING:** Failure to position the parts in accordance with these diagrams or failure to use only parts specifically approved with this appliance may result in property damage or personal injury.

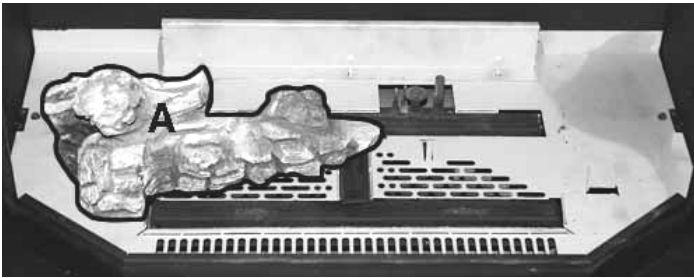
## Log Placement – LOGF35



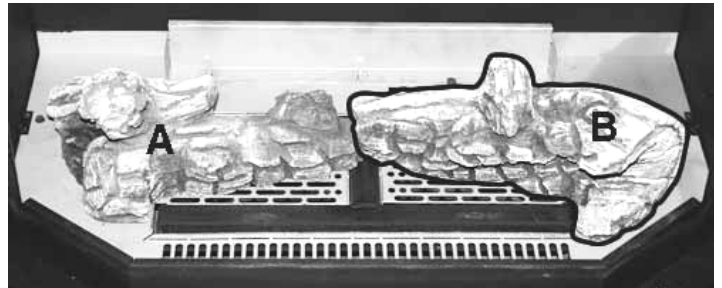
LOGF35 Log Set and Glowing Embers Parts List



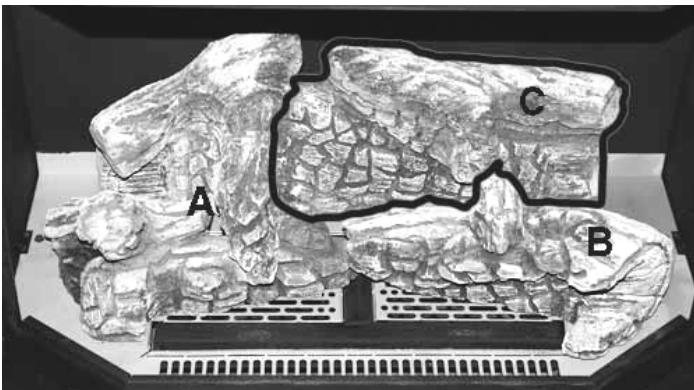
This illustration shows the rear log positioning bracket and 4 pin locating positions.



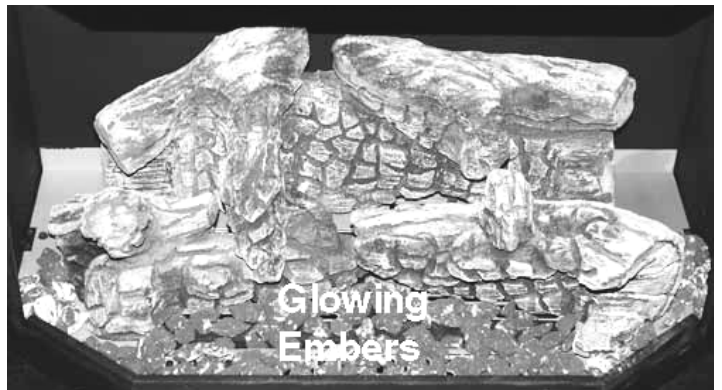
Log A has 2 locating holes. Position those 2 holes over the 2 pins on the left side of the log mounting pan as shown in the picture above.



Log B has 2 locating holes. Position those 2 holes over the 2 pins on the right side of the log mounting pan as shown in the picture above.



Log C has to be lowered into position just behind Logs A and B. Log C shall be pulled up to Logs A and B as shown in the picture above.



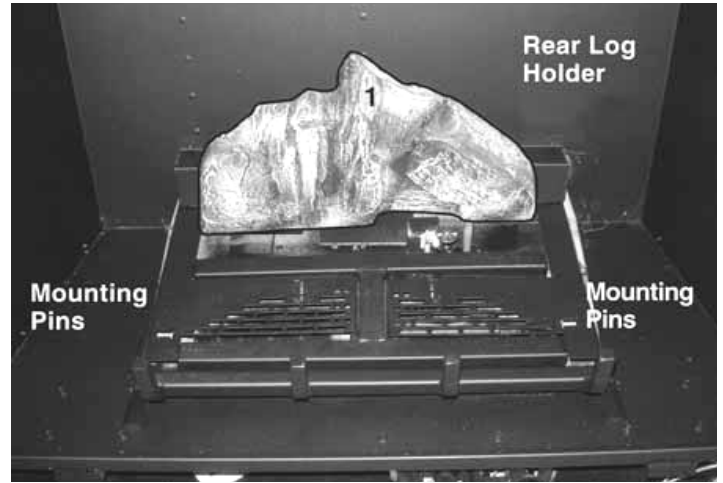
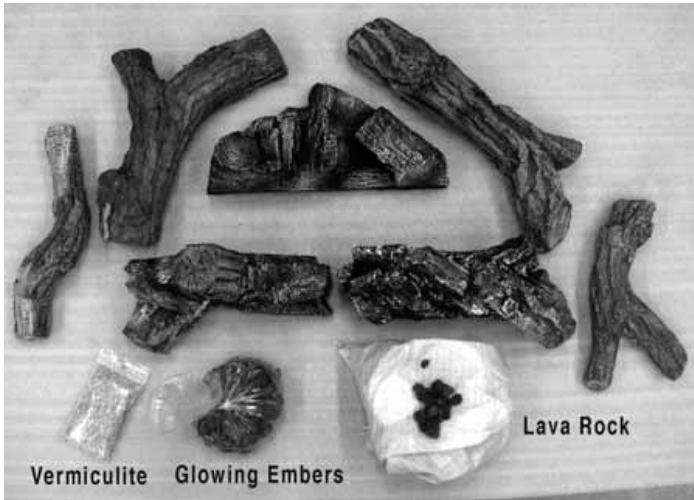
A bag of Ember Chunks is supplied with the Log set. It is very important that these chunks are placed onto the front burner and log mounting pan as shown in the picture. Spread the Ember Chunks out no more than one layer deep. **NOTE: If you do not follow these instructions correctly then sooting problems can occur.**



**WARNING:** Failure to position the parts in accordance with these diagrams or failure to use only parts specifically approved with this appliance may result in property damage or personal injury.



## Log Placement – LOGF36



LOGF36 Log Set includes Glowing Embers, Lava Rock, and Vermiculite.

Place Log #1 onto rear log holder and center.



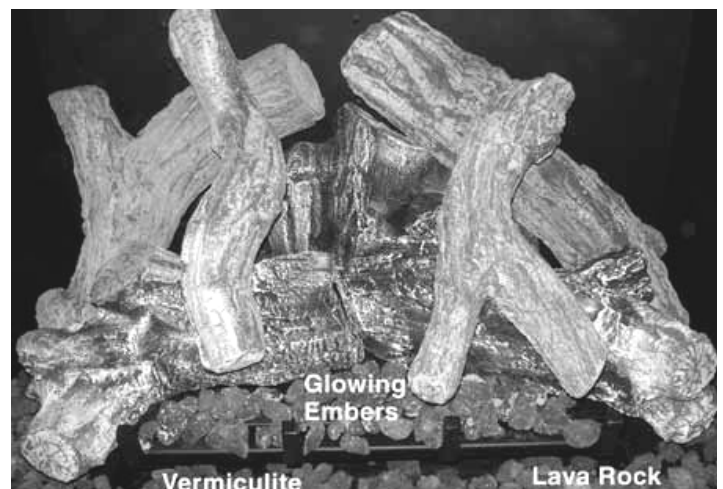
Place Log #2 onto left side of Log #1. Place Log #3 onto right side of Log #1.



Locate 2 holes on bottoms of Logs #4 and #5, and position onto mounting pins.



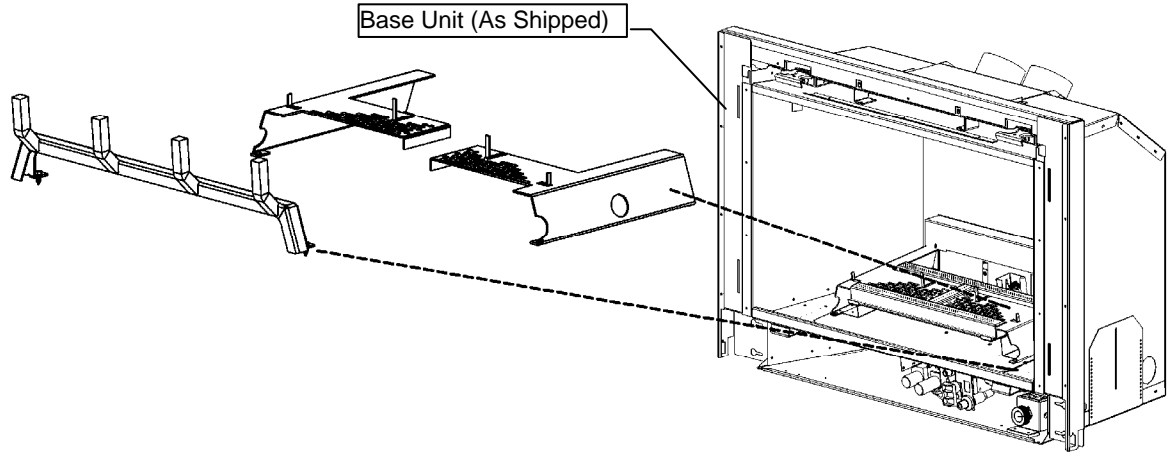
Locate 1 hole on the bottom of Log #6 and place it onto pin of Log #2. Locate 2 holes on the bottom of Log #7 and place onto the pins of Log #5.



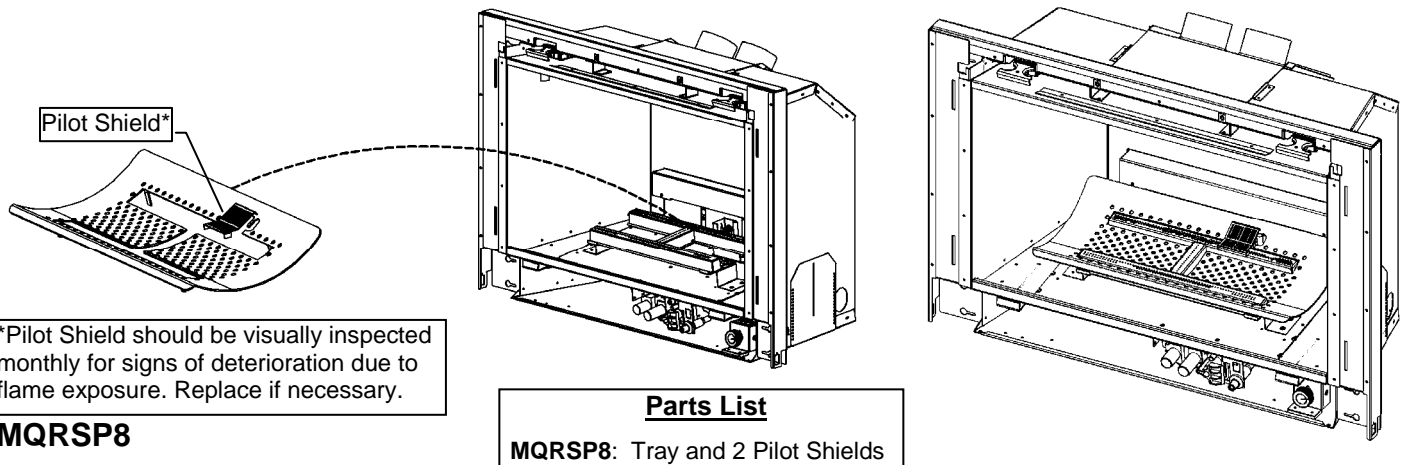
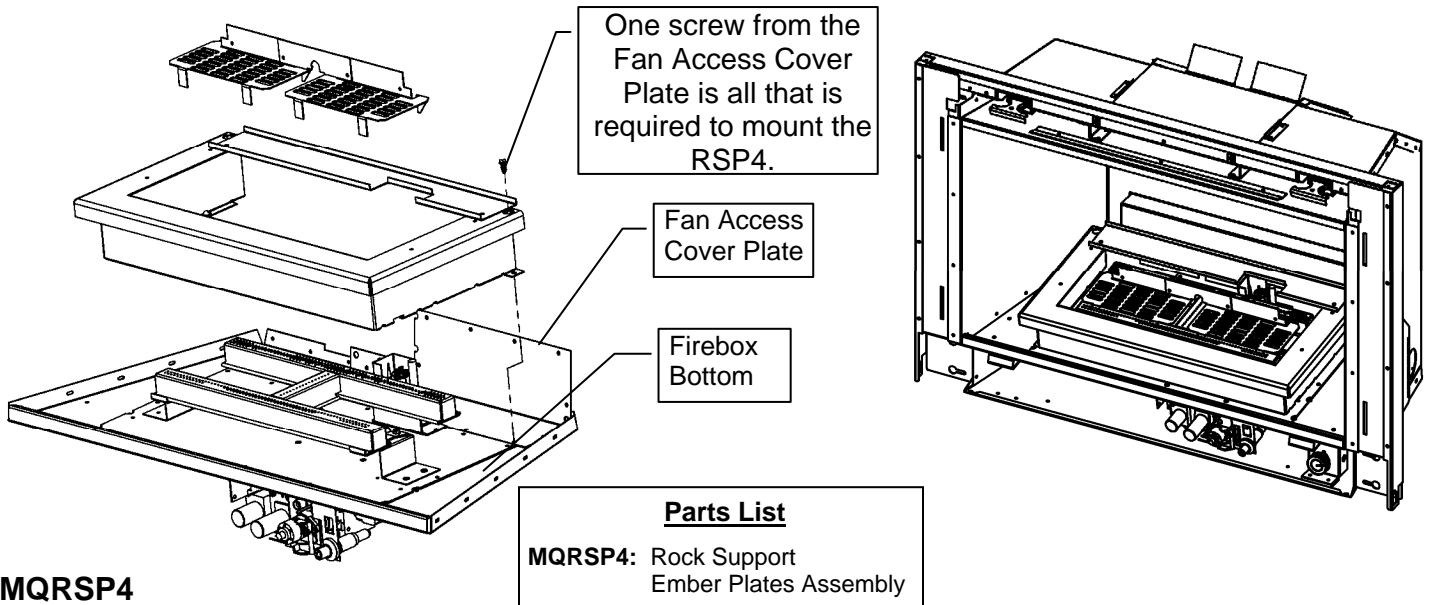
Place Glow Ember Kit onto front burner tube and ember plates. **Lava Rock and Vermiculite are to be placed onto firebox ONLY.**



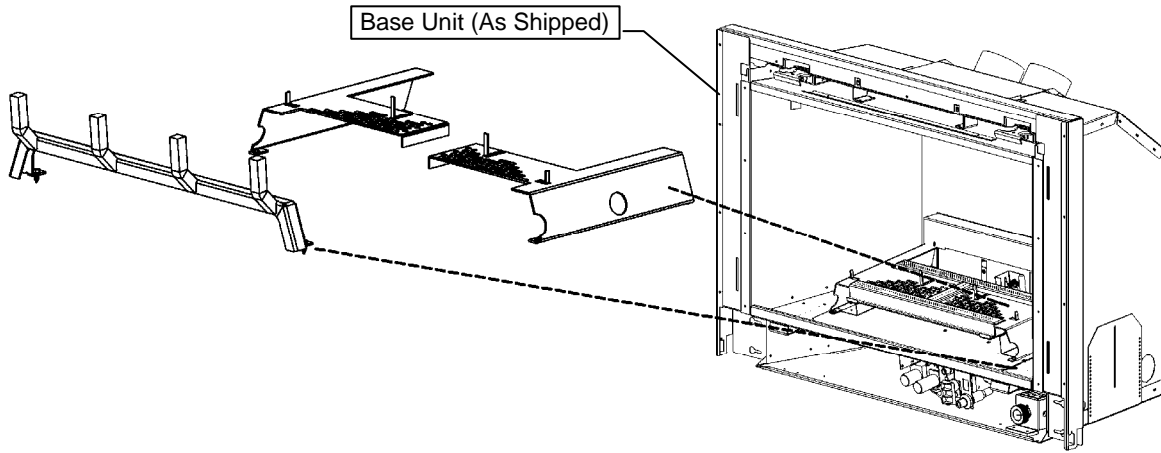
**WARNING:** Failure to position the parts in accordance with these diagrams or failure to use only parts specifically approved with this appliance may result in property damage or personal injury.



**Preparation:** Remove Grate Bar and replace screws. Remove Ember Plates. Do not remove existing Pilot Shield.  
**Installation:** Place MQRSP4 or MQRSP8 over burner.



# RSP10 Glass Support Platform - Installation IDV26 / IDV33 / IDV36



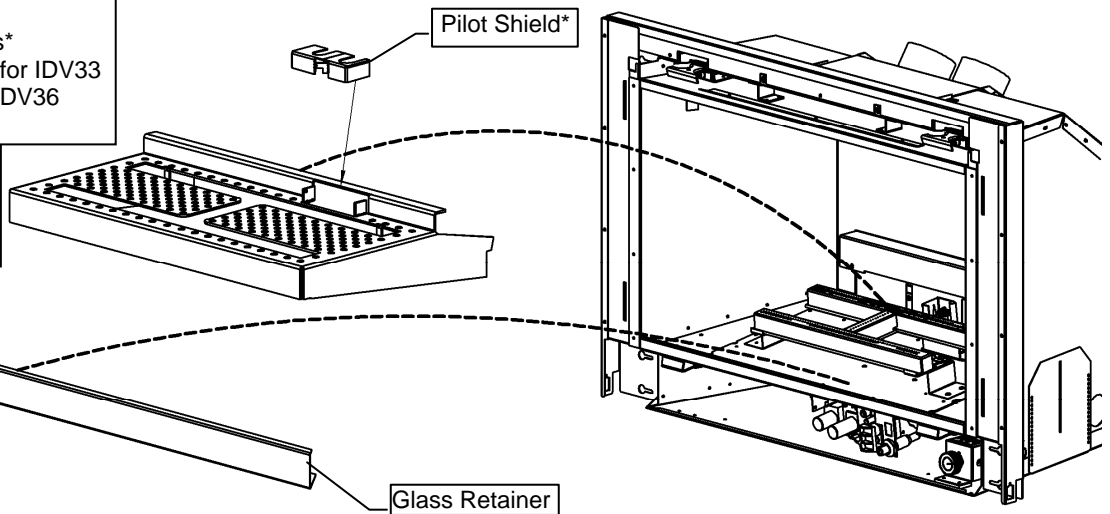
**Preparation:** Remove Grate Bar and replace screws. Remove Ember Plates. Do not remove existing Pilot Shield.

**Installation:** Install RSP10 by placing over burner. Use existing screws at front of firebox bottom to attach Glass Retainer.

## Parts List

**RSP10:** Tray and 2 Pilot Shields\*  
 Glass Retainer 25-1/2" for IDV33  
 Glass Retainer 30" for IDV36  
 15LBS Bronze Glass

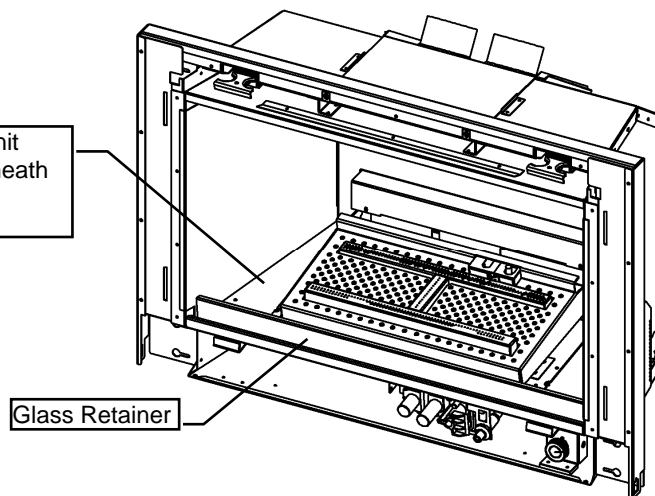
\*Pilot Shield should be visually inspected monthly for signs of deterioration due to flame exposure. Replace if necessary.



## RSP 10

Use existing screws to attach Glass Retainer.

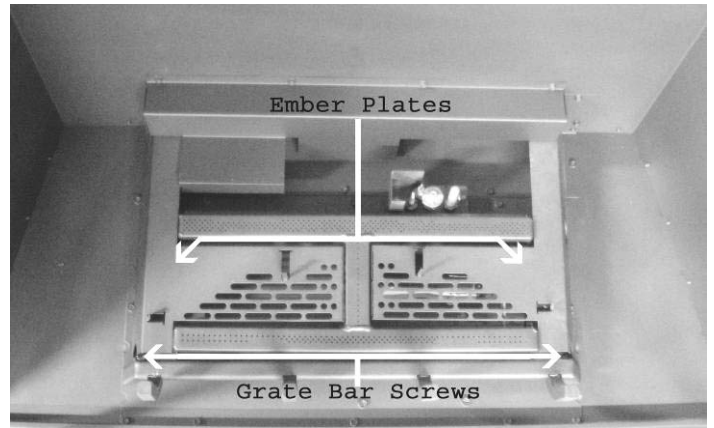
Lava Rock supplied with unit may be used as a filler beneath Glass Embers on sides of firebox.



**WARNING:** Failure to position the parts in accordance with these diagrams or failure to use only parts specifically approved with this appliance may result in property damage or personal injury.

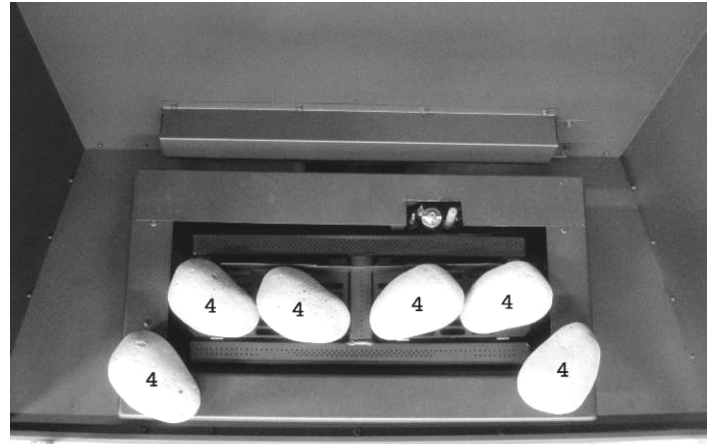
Place Glass Embers over tray and on firebox bottom (left and right). Do not cover pilot shield area. See Glass Ember Installation page for further details.





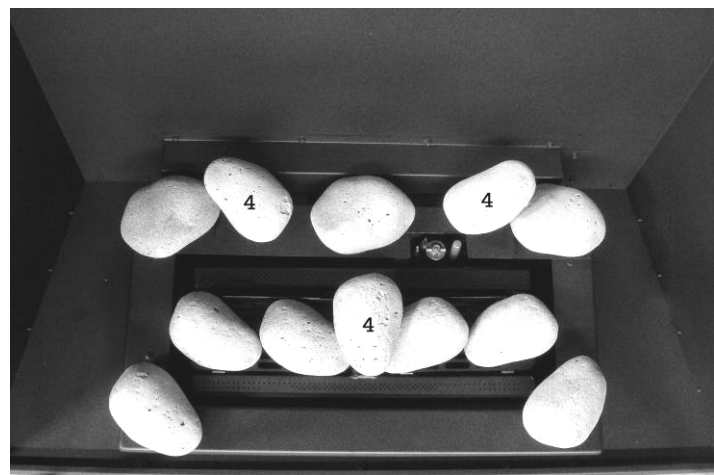
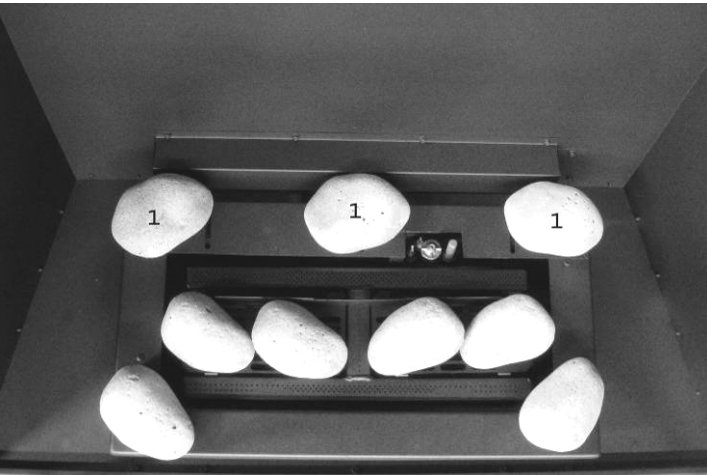
**MQRSP4 Parts List**  
 1Ea Rock Support  
 1Ea Ember Plates Assembly

Remove the ember plates and the grate bar by removing the 2 left and right screws on the grate bar.  
 Reinstall screws after removing parts.



Place the MQRSP4 Rock Platform and ember plates into place as shown in the illustration above.

**Step 1:** Place Rocks #4 into position as shown. **Be sure not to place them directly over top of the burner tube.**

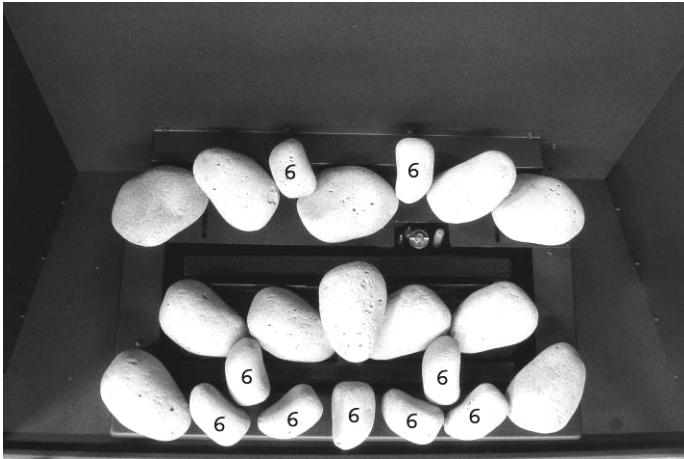


**Step 2:** Place Rocks #1 into position as shown above.

**Step 3:** Place Rocks #4 into position as shown above.

**WARNING:** Failure to position the parts in accordance with these diagrams or failure to use only parts specifically approved with this appliance may result in property damage or personal injury.

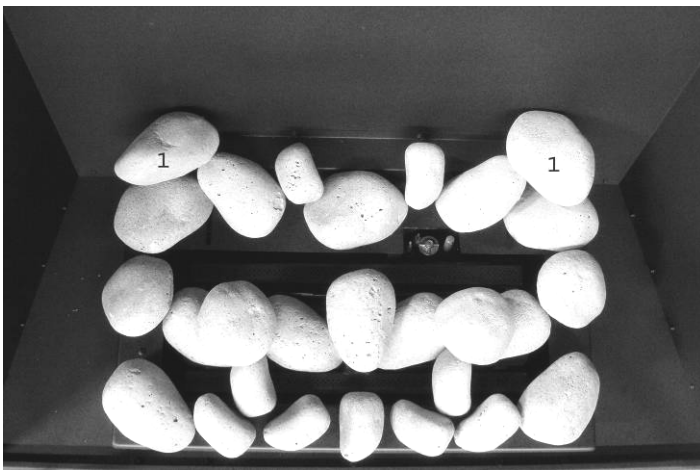
**MQROCK2/ MQROCK3 -MQRSP4 for IDV26 / IDV33 / IDV36 (continued)**



Step 4: Place Rocks #6 into position as shown above.



Step 5: Place Rocks #3 into position as shown above.



Step 6: Place Rocks #1 into position as shown above.



Step 7: Place Rocks #3 and #4 into position as shown above.



**Finished Rock Set and Burn**

**NOTE: If flame impingement on the rocks causes sooting then you may have to move, or remove, one or more rocks. DO NOT PLACE ROCKS DIRECTLY OVER TOP OF THE BURNER TUBE.**

Decorative Stone Set. Supplied for **MQRSP8** only.



Begin by placing larger stones inside burner tube area.



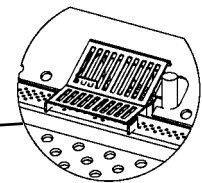
Place smaller stones around outside of burner tube.



Cover back and center of burner tube with assorted stones.



Add smaller stones to center.



Pilot Area **MUST** be visible at ALL times.

Do Not stack or overlay when placing on Burner Tube. **NOT ALL STONES WILL BE REQUIRED TO FILL TRAY.** Spread glass or Lava Rock (supplied with unit) around firebox bottom.

\*Pilot Shield should be visually inspected monthly for signs of deterioration due to flame exposure. Replace if necessary.

**!** Verify ignition of pilot and main burner assembly after setup. Too many rocks over burner ports may cause sooting- remove rocks from over burner ports if this occurs.

**!** **WARNING:** Failure to position the parts in accordance with these diagrams or failure to use only parts specifically approved with this appliance may result in property damage or personal injury.



**MQ DEALER ONLY**

Spread glass or ember chunks onto tray and burner.

Ensure that layer of glass embers is not excessively thick as this will affect the flame pattern. See below.



### ! WARNING

Do not change or substitute the glass ember material provided with this fireplace. If replacing, use only replacement glass embers available from your local authorized dealer.

Pilot Shield\* Must Be Kept Clear.



**MQRSP8**



**RSP10 (With Glass Retainer in Place)**

**Note:** Do not place all the glass embers onto the tray. Only use what is necessary.

Use care when placing glass embers near the pilot area so as not block or have the glass fall over the crossover holes from the pilot to the burner, as delayed ignition can occur.

The following types of glass and other media are approved (Use of any other type other than listed below can alter the performance of the unit and is not covered under warranty.):

**Note:** Use only 1/2" glass material on the burner.

- **½" Ember Glass Material from American Fireglass**

Maximum amount for **MQRSP8** Natural Gas is 5 lbs, Propane units 5 lbs.

Maximum amount for **RSP10** Natural Gas is 15 lbs, Propane units 15 lbs.

- **MQ Ember 3 -Supplied for MQRSP8 Only**

Three bags of Ember Chunks.

**Discoloration of glass media may occur . This is not covered under warranty.**

\*Pilot Shield should be visually inspected monthly for signs of deterioration due to flame exposure. Replace if necessary.



**WARNING:** Failure to position the parts in accordance with these diagrams or failure to use only parts specifically approved with this appliance may result in property damage or personal injury.

## Burner System Maintenance

It is recommended to annually inspect and clean the Burner System to prevent malfunction and / or sooting. This operation should be performed by your dealer or a qualified technician.

### ! -CAUTION-

Before servicing the burner system ensure that the gas supply is turned OFF and disconnect all electrical connections to the appliance. Allow the appliance to cool to room temperature. Note that the pilot assembly may be hot in an intermittent or standing-pilot system—even if the main burner was never on. Exercise caution when working within the area.

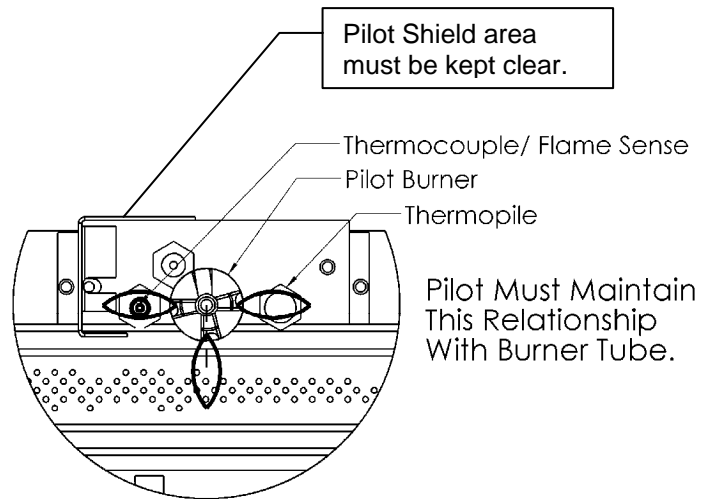
**-ALL WORK SHOULD BE PERFORMED BY A QUALIFIED AND CERTIFIED TECHNICIAN-**

### Monthly Flame Inspection

It is recommended to turn on the unit at least once a month and inspect the flame pattern to ensure there are no problems with the burner tube. The pilot flame should also be inspected monthly to ensure proper operation.



Flame should appear similar to the above picture.



## Conversion Kit Instructions – PART A

Kit Number	Description	Pilot Orifice	Burner Orifice Brass (1000-255)	Brass Nipple	Air Shutter	Hi/Lo Regulator
26IDV-CKLP 33IDV-CKLP 36IDV-CKLP	LP Conversion -Millivolt-	1001-P167SI <b>#30</b> (977.167)	#51 #51 #50	1000-253closed 1000-253closed 1000-253closed	Fully Open 1/2" 1/2"	1001-P202SI 1001-P202SI 1001-P202SI
26IDV-CKNG 33IDV-CKNG 36IDV-CKNG	NG Conversion -Millivolt-	1001-P165SI <b>#51</b> (977.165)	#36 #35 #32	1000-253closed 1000-253closed 1000-253closed	3/16" 3/16" 3/16"	1001-P201SI 1001-P201SI 1001-P201SI
26IDV-CKLPI 33IDV-CKLPI 36IDV-CKLPI	LP Conversion -IPI-	1001-P168SI <b>#35</b> (977.168)	#51 #51 #50	1000-253closed 1000-253closed 1000-253closed	Fully Open 1/2" 1/2"	1002-P012SI 1002-P014SI 1002-P014SI
26IDV-CKNGI 33IDV-CKNGI 36IDV-CKNGI	NG Conversion -IPI-	1001-P166SI <b>#62</b> (977.166)	#36 #35 #32	1000-253closed 1000-253closed 1000-253closed	3/16" 3/16" 3/16"	1002-P013SI 1002-P016SI 1002-P016SI

Refer to "**Gas Specifications Chart**" for inlet pressures and input ratings. Clock meter to verify input rate. Place conversion label as close to converted gas control as possible. Refer to lighting instructions to verify the normal operating sequence of the ignition system. **IMPORTANT:** Always check for gas leaks with a soap and water solution. **DO NOT USE OPEN FLAME FOR LEAK TESTING.**




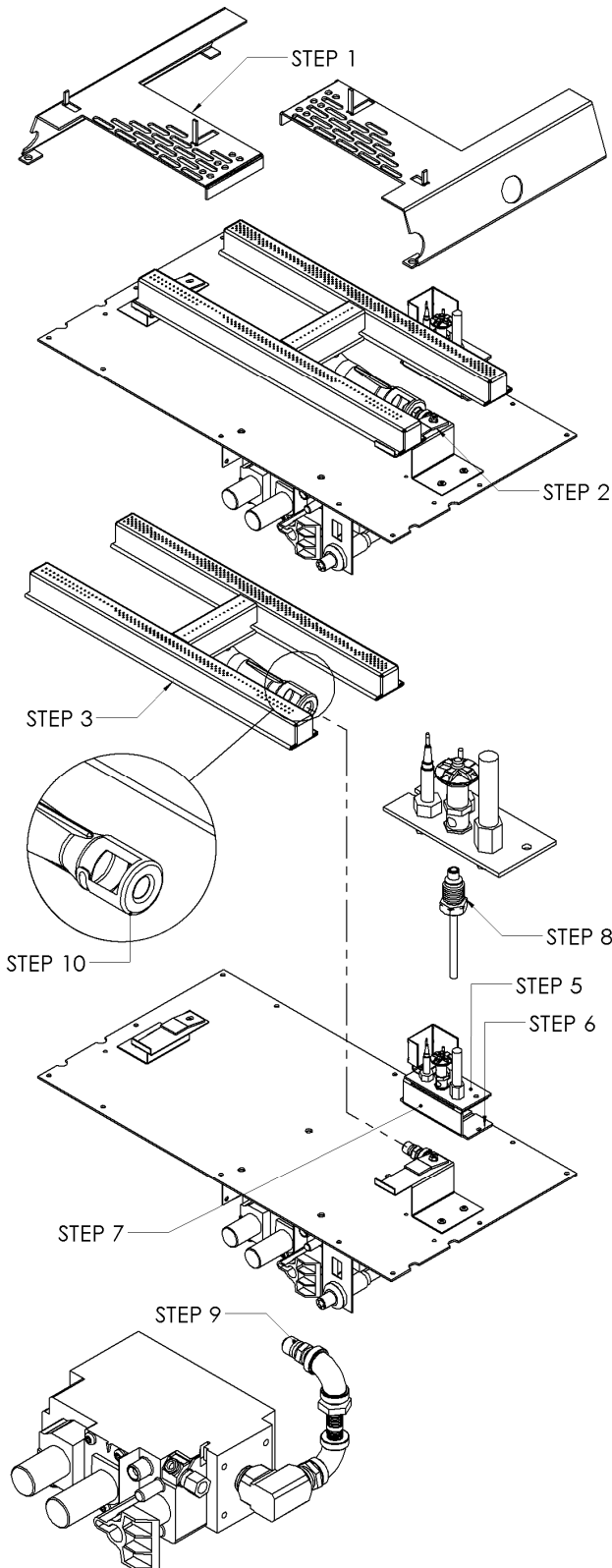
## Conversion Kit Instructions – PART A

### Caution:

The gas supply shall be shut off prior to disconnecting the electrical power, before proceeding with the conversion.

PLEASE CONFIRM THAT STEP 4 IS UNDERSTOOD BEFORE PROCEEDING WITH CONVERSION.

 **WARNING:** This conversion kit shall be installed by a qualified service agency in accordance with the manufacturer's instructions and all applicable codes and requirements of the authority having jurisdiction. If the information in these instructions is not followed exactly, a fire, explosion or production of carbon monoxide may result causing property damage, personal injury or loss of life. The qualified service agency is responsible for the proper installation of this kit. The installation is not proper and complete until the operation of the converted appliance is checked as specified in the manufacturer's instructions supplied with the kit.



1. Remove the 2 ember plates from the burner. This step may not be required, depending on the type of burner assembly.
2. Loosen the 2 screws holding the burner in place.
3. Slide the burner to the left to expose the orifice.
4. **Before going any further you need to verify which pilot system is in use. If there is a spring clip below the pilot hood then proceed to STEP 5 in PART B.**
5. Remove the 2 screws that hold the pilot to the bracket.
6. Remove the 2 screws that attach the pilot bracket to the firebox bottom.
7. Remove the pilot bracket to expose the pilot assembly.
8. Remove the pilot tube and nut from the pilot assembly using a 10mm wrench; slide the tube and nut down. You may have to tap the pilot hood lightly to release the pilot orifice. Place new pilot orifice into the pilot assembly and reinstall the pilot tube and nut. Tighten with wrench. Reinstall pilot bracket at this time.
9. Remove main orifice using a 1/2" wrench and replace with new conversion orifice.
10. Adjust the primary air setting to the correct setting as specified in the manual or label plate. To adjust the air setting, loosen the screw on the side of the tube and rotate to the correct opening using a drill bit or tape measure. Retighten screw. Reinstall burner at this time reversing STEPS 3, 2 and 1.
11. Follow instructions supplied with the conversion HI/LO to convert the valve from one type of fuel to the other.
12. Check for gas leaks around the pilot burner tube and face of valve.
13. Attach conversion label to label plate on bottom of unit, writing information as needed.

## Gas Conversion for Top Convertible Pilot (Series 019065X) – PART B

Instructions for converting SIT 190 series pilot burner injection from NG to LPG and from LPG to NG only. This information should be considered as supplemental to the Appliance Manufacturer's Instructions.

**WARNING:** The installation of this conversion kit must only be undertaken by a qualified and certified gas appliance installer.

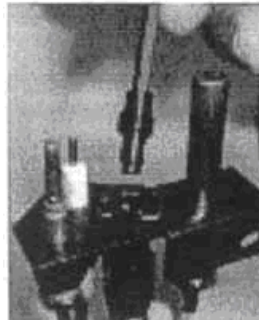
1. Shut off the gas supply to the appliance.
2. Allow the pilot burner to cool to room temperature.  
**WARNING: Touching a hot pilot burner can result in injury.**
3. The pilot hood is held in place by spring pressure. Remove the hood by pulling it directly up from the pilot bracket (a).
4. Insert a 5/32" or 4mm Allen wrench into the hexagonal key-way of the injector (b), and rotate it counter-clockwise until it is free of the injector journal (c).
5. Verify that the new injector is proper for the application. The injector size is stamped on the side of the injector near the top. LPG injectors have a groove machined around their circumference near the top, while NG injectors do not have a groove (e). Refer to the Appliance Manufacturers instruction sheet for the proper injector size.
6. Insert the Allen wrench into the end of the injector. Then, insert into injector journal, and rotate the injector clockwise until a torque of 9 in-lbs is achieved.
7. Replace the pilot hood by aligning the tab on the base of the hood with the slot in the side of the pilot journal, and push the hood down, directly onto the pilot bracket (d). The hood must sit squarely on the bracket for proper operation. Check to insure that the hood is properly seated onto the pilot bracket.



(a)



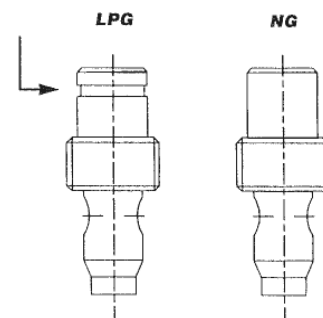
(b)



(c)



(d)



(e)



**WARNING:** This conversion kit must only be applied as part of a conversion kit supplied by the appliance Manufacturer for the specific appliance, and type of gas being converted.

**INSTALLER NOTICE:** These instructions must be left with appliance.

# installation instructions

7 252 136

## 820 NOVA mV

### Modulating Conversion Kit

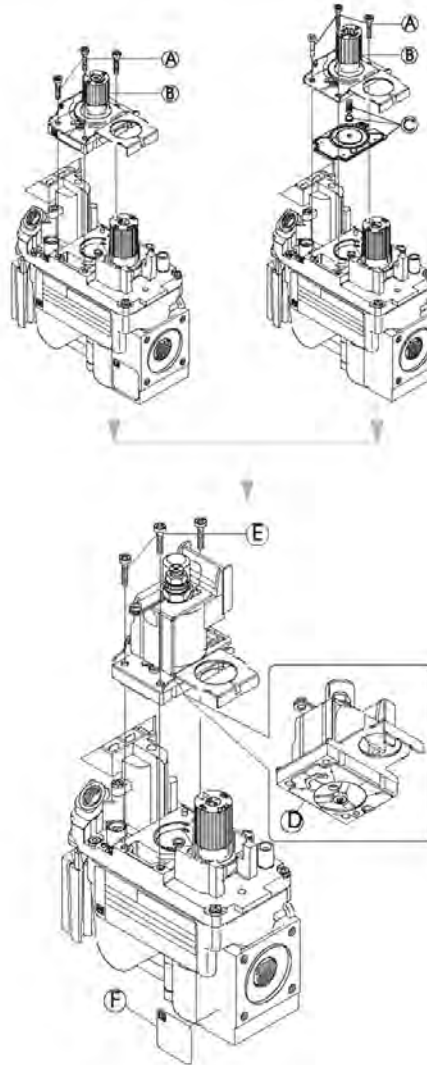


**-WARNING!**

The installation of this conversion kit must only be undertaken by a qualified and certified gas appliance installer.

**MODULATING PRESSURE REGULATOR CONVERSION KIT INSTALLATION OR REPLACEMENT INSTRUCTIONS.**

- 1 Turn control knob to the OFF position, and shut off the gas supply to the valve.
- 2 Using a Torx T20, or slotted screwdriver, remove and discard the three pressure regulator mounting screws (A), pressure regulator tower (B), and the spring and diaphragm assembly (C) (if applicable)
- 3 Insure that the rubber gasket (D) is properly positioned and install the new modulating pressure regulator assembly to the valve using the new screws (E) supplied with the kit. Tighten screws securely. (Reference torque = 25 In.Lb.)
- 4 Install the enclosed identification label (F) to the valve body where it can be easily seen.
- 5 Apply gas to system and re-light appliance according to manufacturers instructions.
- 6 With the main burner "ON", test the new pressure regulator assembly for leaks using a soap solution.
- 7 Relight the main burner in both the HI and LO positions, and verify proper burner ignition and operation.



**-WARNING!**

This modulating conversion kit must ONLY be applied as part of a conversion kit supplied by the APPLIANCE MANUFACTURER for the specific appliance, and type of gas, being converted.

**INSTALLER NOTICE.** These instructions must be left with appliance.



**SIT Group**

## Troubleshooting the Gas Control System



### WARNING

BEFORE DOING ANY GAS CONTROL SERVICE WORK, REMOVE THE GLASS FRONT. Before troubleshooting the gas control system, be sure external gas shut off is in the "On" position.

Problem	Possible Causes	Corrective Action
Spark igniter will not light.	<p>Defective or misaligned electrode at pilot.</p> <p>Defective igniter (push-button).</p>	<p>Check for spark at electrode and pilot: if no spark and electrode wire is properly connected, replace igniter.</p> <p>Using a match, light pilot. If pilot lights, turn off pilot and push the red button again. If pilot will not light - check gap at electrode and pilot should be 1/8" to 1/4" to have a strong spark.</p>
Pilot will not stay lit after carefully following lighting instructions.	<p>Defective thermocouple (flame switch where applicable).</p> <p>Defective valve magnet.</p>	<p>Check pilot flame. Must impinge on generator and thermocouple. Clean and/or adjust pilot for maximum flame impingement on generator and thermocouple. Replace thermocouple if pilot will not hold. (Hand tight 1/8 turn on replacement)</p> <p>Replace valve, if pilot won't hold after the thermocouple is replaced.</p>
Pilot burning, no gas to burner, valve knob "ON", and wall switch "ON".	<p>Wall switch or wires defective.</p> <p>Generator may not be generating sufficient voltage.</p> <p>Plugged burner orifice.</p> <p>Defective automatic valve operator.</p>	<p>Check wall switch and wires for proper connections. Jumper wire across terminals at wall switch. If burner comes on, replace defective wall switch. If okay, jumper wires, across wall switch wires at valve. If burner comes on, wires are faulty or connections are bad.</p> <p>Check generator with millivolt meter. Take reading at generator terminals of gas valve. Should read 325 millivolts minimum while holding valve knob depressed in pilot position and wall switch "off" Replace faulty generator if reading is below specified minimum.</p> <p>Check burner orifice for stoppage and remove.</p> <p>Remove wall switch wires from gas valve. Install jumper wires from top bottom terminals of gas valve. Turn valve on "ON". If main burner does not light, replace valve.</p>
Frequent pilot outage problem.	Pilot flame may be too low or blowing (high) causing the pilot safety to drop out.	Clean and/or adjust pilot flame for maximum flame impingement on generator and thermocouple.
Flame lifts off burner and goes out in less than 30 seconds.	The inner liner has come off flue or termination, flame is starving for oxygen.	Attach the inner liner to flue or termination using screws, silicone and clamps as stated in manual.
Flame lifts off burner on one side while the rest of the flame remains lit.	Improper installation of firebrick. Firebrick is likely leaning.	Be sure to position firebrick against firebox walls and be sure to use brick clips attached to the inner side of firebox.

## IDV26 Parts List

Part No.	Description
<b>Fireplace Base Unit</b>	
IDV26N [Millivolt]	INSERT DIRECT VENT FIREPLACE
IDV26NE [IPI]	Natural Gas 30,000 BTU
IDV26LP [Millivolt]	INSERT DIRECT VENT FIREPLACE
IDV26LPE [IPI]	Liquid Propane 30,000 BTU
<b>Fireplace Requirements (Required for Each Unit)</b>	
<b>Log Sets &amp; Glass Support Platforms</b>	
MLOGF26	9 Piece Log Set
LOGF27	3 Piece Log Set
LOGF35	Log Set Fiber Split Oak (350 Series)
RSP10	Glass Support Platform with bronze glass
36IDV-204	Pilot Shield for RSP10
<b>Marquis Cappella Options</b>	
MQRSP4	Rock Support Platform (IDV33/36)
MQROCK2	Rock Set - Contemporary Collection - Natural
MQROCK3	Rock Set - Contemporary Collection - Multi-Colored
MQRSP8	Glass Support Platform (IDV33/36)
36IDV-205	Pilot Shield for MQRSP8
MQG5W	Decorative Glass - 1/2" White - 5lbs
MQG5A	Decorative Ember Glass - 1/2" Azuria (Light Blue) - 5 lbs
MQG5C	Decorative Ember Glass - 1/2" Bronze - 5 lbs
MQEMBER3	Ember Chunks - (3 bags)
MQSTONE	Decorative Stones
<b>Front Face Attachments</b>	
I26CV1BL	Clean View Front [Black]
I26CV1PW	Clean View Front [Pewter]
I26CV1CV	Clean View Front [Copper Vane]
I26CVPF1BL	Clean View Front - Picture Frame [Black]
I26CVPF1PW	Clean View Front - Picture Frame [Pewter]
I26CVPF1CV	Clean View Front - Picture Frame [Copper Vane]
I26CV2BL	Clean View Front -Wide [Black]
I26CV2PW	Clean View Front -Wide [Pewter]
I26CV2CV	Clean View Front -Wide [Copper Vane]
I26CVPF2BL	Clean View Front - Picture Frame -Wide [Black]
I26CVPF2PW	Clean View Front - Picture Frame -Wide [Pewter]
I26CVPF2CV	Clean View Front - Picture Frame -Wide [Copper Vane]
<b>Fireplace Accessories for I26CV Fronts</b>	
<b>I26CV Surround Kits for Clean View</b>	
I26S1BL	Straight Surround Back Extension [Black]
I26S1PW	Straight Surround Back Extension [Pewter]
I26S1CV	Straight Surround Back Extension [Copper Vane]
I26SPF1BL	Picture Frame Surround Extension [Black]
I26SPF1PW	Picture Frame Surround Extension [Pewter]
I26SPF1CV	Picture Frame Surround Extension [Copper Vane]
I26SU	Universal (for custom applications)
<b>Designer Doors for IDV26</b>	
I26CV1DSBL	Designer Door Straight - Black

I26CSS Child Safety Screen

### Brick and Porcelain Liners

IDV26RL	Brick Liner
IDV26PRL	Porcelain Liner

### Conversion Kits for IDV26

#### IDV26 Conversion Kits

26IDV-CKNG	Conversion Kit Natural Gas (IDV26N) [Millivolt]
26IDV-CKLP	Conversion Kit - Liquid Propane (IDV26LP) [Millivolt]
26IDV-CKNGI	Conversion Kit Natural Gas (IDV26NE) [IPI]
26IDV-CKLPI	Conversion Kit - Liquid Propane (IDV26LPE) [IPI]

#### Optional Fan

26IDV-P260	Blower Motor (Replacement)
I26FK	Fan Kit

## IDV33 Parts List

Part No.	Description
<b>Fireplace Base Unit</b>	
IDV33N [Millivolt]	INSERT DIRECT VENT FIREPLACE
IDV33NE [IPI]	Natural Gas 31,500 BTU
IDV33LP [Millivolt]	INSERT DIRECT VENT FIREPLACE
IDV33LPE [IPI]	Liquid Propane 28,500 BTU
<b>Fireplace Requirements (Required for Each Unit)</b>	
<b>Log Sets &amp; Glass Support Platforms</b>	
LOGF35	Log Set Fiber Split Oak (350 Series)
RSP10	Glass Support Platform with bronze glass
36IDV-204	Pilot Shield for RSP10
<b>Marquis Cappella Options</b>	
MQRSP4	Rock Support Platform (IDV33/36)
MQROCK2	Rock Set - Contemporary Collection - Natural
MQROCK3	Rock Set - Contemporary Collection - Multi-Colored
MQRSP8	Glass Support Platform (IDV33/36)
36IDV-205	Pilot Shield for MQRSP8
MQG5W	Decorative Glass - 1/2" White - 5lbs
MQG5A	Decorative Ember Glass - 1/2" Azuria (Light Blue) - 5 lbs
MQG5C	Decorative Ember Glass - 1/2" Bronze - 5 lbs
MQEMBER3	Ember Chunks - (3 bags)
MQSTONE	Decorative Stones
<b>Front Face Attachments</b>	
I33CVBL	Clean View Front Style 1 [Black]
I33CVPW	Clean View Front Style 1 [Pewter]
I33CVCV	Clean View Front Style 1 [Copper Vane]
I33LK	Louvered Front [Black]
<b>Fireplace Accessories for I33CV Fronts</b>	
<b>I33CV Surround Kits for Clean View</b>	
I33SS1BL	Straight Surround Back Extension [Black]
I33SS1PW	Straight Surround Back Extension [Pewter]
I33SS1CV	Straight Surround Back Extension [Copper Vane]
I33SPF1BL	Picture Frame Surround Extension [Black]
<b>Fireplace Accessories for I33LK Fronts</b>	
<b>I33LK Surround Kits for Louvered Front</b>	
I33S3426B	Top Piece Only
I33S4028B	Top and Sides
I33S4430B	Top and Sides
I33S4535B	Universal (for custom applications)
<b>I33LK Grills for Louvered Front</b>	
Z6GBA	Grill Kit - Classic Builder Antique Brass
Z6GBC	Grill Kit - Classic Builder Chrome
Z6GBP	Grill Kit - Classic Builder Polish Brass



VI30GBL Grill Kit – Black

### Fireplace Accessories for IDV33 (Both Front Kits)

#### Door Frame Overlays

Z33ADDX Arch Door Frame – Deluxe Black (352)  
Z33ADTH Arch Door Frame – Top Half Black (353T)

#### Designer Doors for IDV33

Z33DDA1BL Designer Door Arch – Series 1 – Black  
Z33DDS1BL Designer Door Straight – Series 1 – Black  
Z33CSS Child Safety Screen - 33" DV Fireplaces

#### Brick and Porcelain Liners

IDV33RL Brick Liner  
IDV33PL Porcelain Liner (Generation 1)  
IDV33PRL Porcelain Liner (Generation 2)

### Conversion Kits for IDV33

#### IDV33 Conversion Kits

33IDV-CKNG Conversion Kit Natural Gas (IDV33N) [Millivolt]  
33IDV-CKLP Conversion Kit - Liquid Propane (IDV33LP) [Millivolt]  
33IDV-CKNGI Conversion Kit Natural Gas (IDV33NE) [IPI]  
33IDV-CKLPI Conversion Kit - Liquid Propane (IDV33LPE) [IPI]

## IDV36 Parts List

#### Part No. Description

#### Fireplace Base Unit

IDV36N [Millivolt] INSERT DIRECT VENT FIREPLACE  
IDV36NE [IPI] Natural Gas 34,250 BTU  
IDV36LP [Millivolt] INSERT DIRECT VENT FIREPLACE  
IDV36LPE [IPI] Liquid Propane 30,030 BTU

#### Fireplace Requirements (Required for Each Unit)

#### Log Sets & Glass Support Platforms

LOGF36 Log Set Fiber Split Oak  
RSP10 Glass Support Platform with bronze glass  
36IDV-204 Pilot Shield for RSP10

#### Marquis Cappella Options

MQRSP4 Rock Support Platform (IDV33/36)  
MQROCK2 Rock Set - Contemporary Collection - Natural  
MQROCK3 Rock Set - Contemporary Collection - Multi-  
Colored  
MQRSP8 Glass Support Platform (IDV33/36)  
36IDV-205 Pilot Shield for MQRSP8  
MQG5W Decorative Glass - 1/2" White - 5lbs  
MQG5A Decorative Ember Glass - 1/2" Azuria (Light  
Blue) - 5 lbs  
MQG5C Decorative Ember Glass - 1/2" Bronze - 5 lbs  
MQEMBER3 Ember Chunks - (3 bags)  
MQSTONE Decorative Stones

#### Front Face Attachments

I36CVBL Clean View Front Style 1 [Black]  
I36CVPW Clean View Front Style 1 [Pewter]  
I36CVCV Clean View Front Style 1 [Copper Vane]  
I36LK Louvered Front [Black]

### Fireplace Accessories for I36CV Fronts

#### I36CV Surround Kits for Clean View

I36SS1BL Straight Surround Back Extension [Black]  
I36SS1PW Straight Surround Back Extension [Pewter]  
I36SS1CV Straight Surround Back Extension [Copper  
Vane]  
I36SPF1BL Picture Frame Surround Extension [Black]

### Fireplace Accessories for I36LK Fronts

#### I36LK Surround Kits for Louvered Front

I36S3931B Top Piece Only

I36S4432B Top and Sides  
I36S4736B Universal (for custom applications)

#### I36LK Grills for Louvered Front

IDV36GBA Grill Kit – Classic Builder Antique Brass  
IDV36GBC Grill Kit – Classic Builder Chrome  
IDV36GBP Grill Kit – Classic Builder Polish Brass  
IDV36GBL Grill Kit – Black

### Fireplace Accessories for IDV36 (Both Front Kits)

#### Door Frame Overlays

HB36ADTH Arch Door Top Half Black  
HB36ADDX Arch Door Frame – Deluxe Black

#### Designer Doors for IDV36

HB36DDA1BL Designer Door Arch – Series 1 – Black  
HB36DDTA1A Trim – Antique for Designer Arch – Series 1  
HB36DDTA1C Trim – Chrome for Designer Arch – Series 1  
HB36DDTA1P Trim – Polish Brass for Designer Arch –  
Series 1  
HB36DDS1BL Designer Door Straight – Series 1 – Black  
HB36DDTS1A Trim – Antique for Designer Straight – Series  
1  
HB36DDTS1C Trim – Chrome for Designer Straight –  
Series 1  
HB36DDTS1P Trim – Polish Brass for Designer Straight –  
Series 1  
HB36CSS Child Safety Screen

#### Brick and Porcelain Liners

IDV36RLT Traditional Brick Liner  
IDV36RLH Herringbone Brick Liner  
IDV36PL Porcelain Reflective Panel Liner (3 PCE)

### Conversion Kits for IDV36

#### IDV36 Conversion Kits

36IDV-CKNG Conversion Kit Natural Gas (IDV36N)  
[Millivolt]  
36IDV-CKLP Conversion Kit - Liquid Propane (IDV36LP)  
[Millivolt]  
36IDV-CKNGI Conversion Kit Natural Gas (IDV36NE) [IPI]  
36IDV-CKLPI Conversion Kit - Liquid Propane (IDV36LPE)  
[IPI]

## Parts for IDV26/ IDV33/ IDV36

### Part No. Description

#### Riser Kits

I33R40	2-1/2" Riser for use with I33S4028B and I36S3931B
I33R44	2-1/2" Riser for use with I33S4430B and I36S4432B

#### Other Accessories

Z1MT	Thermostat Millivolt Wall Mount
Z80PT	Thermostat Programmable Digital Millivolt Wall Mount (1F80-40)
Z1RC	Remote Control Millivolt (ON/OFF with LED) [Model I]
ZART	Remote Control Thermostat Millivolt [Model K]
DCHS	Remote Control Heat Shield
GFRC	Remote Control Millivolt/IPI (ON/OFF)
GTRC	Remote Control Millivolt (Thermostat)
GTMRCN	Remote Control Millivolt (Thermostat/Modulating – NG)
GTMRCP	Remote Control Millivolt (Thermostat/Modulating – LP)
1001-P904SI	Remote Receiver Extension Harness (GT Series Remotes Only)-10ft.
EGTRC	Remote Control IPI (Thermostat)
EGTMRCN	Remote Control IPI (Thermostat/Modulating – NG)
EGTMRCP	Remote Control IPI (Thermostat/Modulating – LP)

#### Millivolt Replacement Burner Assembly / Burner

33IDV-BNGSI	Millivolt Burner Assembly [NG] c/w Valve System (For use on IDV33N only)
33IDV-BLPSI	Millivolt Burner Assembly [LP] c/w Valve System (For use on IDV33LP and IDV36LP)
36IDV-BNGSI	Millivolt Burner Assembly [NG] – c/w Valve System (For use on IDV36N only)
33IDV-200A	H-Burner (For use on IDV33/IDV36 only)

#### Valve System Parts - New Top convertible SIT (Millivolt)

1000P-136WR	Thermopile GOAI-524
1001-P069SI	Electrode Sparker & wire 915.069 TC SIT
1001-P216SI	Thermocouple 290.216 TC SIT
1001-P165SI	Orifice Pilot NG 977.165 TC SIT
1001-P167SI	Orifice Pilot LP 977.167 TC SIT
1001-P633SI	Valve Nova LP Hi/Lo 0820633
1001-P634SI	Valve Nova NG Hi/Lo 0820634
1001-P713SI	Pilot Burner LP 199.713 TC SIT
1001-P714SI	Pilot Burner NG 199.714 TC SIT

#### IPI Electronic Ignition Parts

1006-P002SI	IPI Valve System HI/LO [NG]
1006-P003SI	IPI Valve System HI/LO [LP]
1002-P047SI	Pilot Assembly [LP]
1002-P033SI	Pilot Assembly [NG]
1002-P017SI	Spark Electrode with Wire
1002-P903SI	Electrode Flame Sensor
1002-P302SI	IPI Main Module Board
1002-P850SI	AC Wall Adapter
1002-P12BH	Battery Pack
1002-P912SI	Wiring Harness
1001-P166SI	IPI Pilot Orifice #62 [NG]
1001-P168SI	IPI Pilot Orifice #35 [LP]
1002-P013SI	Modulating Servo Motor [NG]

1002-P012SI	Modulating Servo Motor [LP]
1002-P016SI	Manual HI/LO Regulator [NG]
1002-P014SI	Manual HI/LO Regulator [LP]

#### Miscellaneous Parts

1000-150 GE	#Silicone GE Red IS806 #736
1000-150 MP	#Hi-Temp Millpac Sealant 840099
1000-214	#Piezo-Igniter 1244-17 MARK 21
1000-215	#PAL Nut (18mm x 1.5mm) Blk (1364.03)
1000-216	Gold Contact ON/OFF Switch
1000-255	#Orifice Brass - #37 Natural Gas
1000-255	#Orifice Brass - #51 Liquid Propane
350-EMBER	#Embers
2000-P5637	#Spring Extension for Grills
DVI26-310	#Ceramic Robax Glass (For IDV26 – 27-1/2" x 17-1/4")
6000-150	#Ceramic Robax Glass (For IDV33 – 27-1/2" x 16")
36HB-310	#Ceramic Robax Glass (For IDV36 – 31-11/16" x 20-7/16")
36IDV-MAN	#Manual – IDV33/IDV36
2000-080	#Thermodisc 2450 (For Blower)
2000-081	#Blower Motor QLN65/2400
2000-085	#Control Variable Speed KBWC-13BV
26IDV-106A	#Adapter Plate Complete –IDV26
33IDV-106A	#Adapter Plate Complete –IDV33 / IDV36
26IDV-301	Door Frame IDV26
33IDV-301-1	Door Frame IDV33
36IDV-301	Door Frame IDV36
33IDV-123	#Replacement Spring for Door Latch (Lower)
36HB-123	#Replacement Spring for Door Latch (Upper)
33IDV-123A	Latch Assembly (Lower)
33IDV-123AU	Latch Assembly (Upper)
OFP42SA	Spark Assist
FP15GC	Stainless Steel Gas Connector

## Parts for IDV26/ IDV33/ IDV36 Venting

### Part No. Description

IDVVT36	Vertical Termination – Collinear 3"/3"
IDVFK25	3" Diameter [2Ea] Unexpanded 25ft Flex Pipe, Screws/Washers, Millpac
IDVLCP	Lower Chase Sealant Plate
ZDV3FC	Flex Connectors 3" Diameter





## LIMITED LIFETIME WARRANTY

This Limited Lifetime Warranty applies only while the unit remains at the site of the original installation and only if the unit is installed inside the continental United States, Alaska, Hawaii, and Canada. The warranty applies only if the unit is installed and operated in accordance with the printed instructions and in compliance with applicable installation and building codes and good trade practices.

### BASIC ONE YEAR WARRANTY

During the first year after installation, we will provide a replacement for any component part of your unit found to be defective in materials or workmanship, including labour costs. Repair work requires prior approval by Kingsman, labour costs are based on a predetermined rate schedule and any repair work must be done through an authorized Kingsman dealer.

### LIMITED LIFETIME WARRANTY

The heat exchanger, combustion chamber and burner of every Kingsman product excluding the Outdoor Firepit are warranted against materials or workmanship during the period the product is owned by the original owner. The part to be replaced must be returned to our distributor in exchange for the replacement part. Any labor, material, freight and/or handling charges associated with any repair or replacement pursuant to this Limited Lifetime Warranty will not be covered by this warranty.

### GENERAL TERMS

In lieu of providing a replacement part, we may, at our option, provide the distributor's component purchase price from us or a credit equal to the distributors component purchase price from us toward the purchase of any new unit which we distribute. If a credit is given in lieu of a replacement part, the rating plate from the unit being replaced must be submitted on a warranty claim, and the unit being replaced must be made available to our distributor for disposition.

In establishing the date of installation for any purpose, including determination of the starting date for the term of this Limited Lifetime Warranty, reasonable proof of the original installation date must be presented\*, otherwise the effective date will be based upon the date of manufacture plus thirty (30) days.

We will not be responsible for and you, the user, will pay for: (a) damages caused by accident, abuse, negligence, misuse, riot, fire, flood, or Acts of God (b) damages caused by operating the unit where there is a corrosive atmosphere containing chlorine, fluorine, or any other damaging chemicals (other than in a normal residential environment) (c) damages caused by any unauthorized alteration or repair of the unit affecting its stability or performance (d) damages caused by improper matching or application of the unit or the unit's components (e) damages caused by failing to provide proper maintenance and service to the unit (f) any expenses incurred for erecting, disconnecting or dismantling the unit (g) parts or supplies used in connection with service or maintenance (h) damage repairs, inoperation or inefficiency resulting from faulty installation or application (i) electricity or fuel costs or any increase in electricity or fuel cost whatsoever including additional or unusual use of supplemental electric heat.

We shall not be liable for any incidental, consequential, or special damages or expenses in connection with any use or failure of this unit. We have not made and do not make any representation or warranty of fitness for a particular use or purpose, and there is no implied condition of fitness for a particular use or purpose. We make no express warranties except as stated in this Limited Lifetime Warranty. No one is authorized to change this Limited Lifetime Warranty or to create for us any other obligation or liability in connections with this unit. Any implied warranties shall last for one year after the original installation. Some states and provinces do not allow the exclusion or limitation of incidental or consequential damages or do not allow limitations on how long an implied warranty or condition lasts, so the above limitations or exclusions may not apply to you. The provisions of this limited warranty are in additions to and not a modification of or subtraction from any statutory warranties and other rights and remedies provided by law.

Save this certificate. It gives you specific legal rights, and you may also have other rights which may vary from state to state and province to province.

In the event your unit needs servicing, contact your dealer or contractor who installed or serviced your unit. When requesting service, please have the model and serial number from each unit readily available. If your dealer needs assistance, the distributor is available for support and we, in turn support the distributor's efforts.

Fill in the installation date and model and serial numbers of the unit in the space provided below and retain this limited warranty for your files.

Model No. \_\_\_\_\_ Serial No. \_\_\_\_\_ Date installed \_\_\_\_\_

Dealer or Contractor Name: \_\_\_\_\_

\*To receive advantage of your warranty, you must retain the original records that can establish the installation date of your unit.

**The Ultimate in Design, Engineering & Quality**