

Model	Fuel Opt	High	Low	Max. Efficiency
Chaska	NG	27,500	19,000	80.0%
	LP	28,000	20,400	81.0%
Chaska XL	NG	36,500	22,000	80.0%
	LP	36,000	22,000	81.0%

### Features:

- Canada P-4 approved
- AFUE rated
- High quality lifetime warranty glass: 14 1/4" x 29" (Chaska)
- High quality lifetime warranty glass: 18" x 32" (Chaska XL)
- Refractory brick lining
- Quick-latch glass / pressure relief system
- Co-linear air duct - 3" combustion air / 3" exhaust
- Innovative vent connection system
- Engineer-designed burner system
- Fan kit with variable speed control (2 - 75 CFM)
- Chaska - IPI & Chaska XL - IPI only (electric ignition) - remote modulating valve system w/flame, fan adjustment & fan kit
- Upper grill/hood and lower grill (black) included
- Minnesota Energy Code compliant to 50 pascals

### Safety

- Each unit factory tested!
- Tested by OMNI-Test Laboratories complies with ANSI-Z21.88a-2007 • CSA 2.33a-2007 "Vented Gas Fireplace Heaters"
- U.S. & Canadian installation approved
- Sealed combustion chamber with standing pilot ignition
- Removable millivolt board with 30-second safety pilot
- Automatic pressure relief glass system
- Bedroom & mobile home approved

### Minimum Dimensions

#### Chaska

##### Existing Fireplace Opening:

- Height: 19 1/2"
- Width: 31"
- Depth: 15 1/4"

##### Existing Chimney:

- Class 'A' metal chimney or masonry chimney: 7" I.D.
- Minimum chimney height: 12'
- Maximum chimney height: 30'

#### Chaska XL

##### Existing Fireplace Opening:

- Height: 23 1/2"
- Width: 33 1/2"
- Depth: 16 1/2"

##### Existing Chimney:

- Class 'A' metal chimney or masonry chimney: 7" I.D.
- Minimum chimney height: 12'
- Maximum chimney height: 35'

### Venting System Approval & Requirements

This fireplace is approved for use with the following co-linear flexible vent systems:

- Simpson Dura-Vent™ DV-GS - 3" x 3"
- Selkirk Metalbestos™ Direct Chimney System - 3" x 3"
- American Metal Products™ Ameri-Vent System - 3" x 3"
- Kozy Heat™ #816 co-linear vent flexible termination kit

Refer to the installation manual for complete installation & venting requirements.

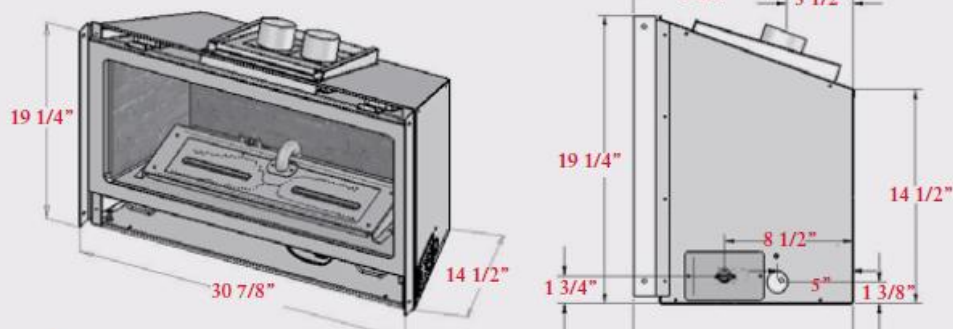
### Specifications

	Chaska	Chaska XL
Height	19 1/4"	23"
Width	30 7/8"	33 3/8"
Back Width	23 1/8"	24 3/8"
Depth	14 1/2"	16"
Weight	140 lbs	158 lbs

### Clearances

Chaska	
From insert bottom to combustible floor in front	3 1/2"
From insert to sidewall	10"
Insert top to 3/4" trim	8"
Mantel 10" deep from top of insert	13"
Chaska XL	
From insert bottom to combustible floor in front	6"
From insert bottom underneath to combustible floor	0"
From insert to sidewall	12"
Insert top to 3/4" trim	12"
Mantel 9" deep from top of insert	16"
Refer to the mantel projection chart in the installation manual	

### Chaska



### Chaska XL

