

MENDOTA "SEABROOK" DIRECT VENT GAS FIREPLACE INSERT

WITH
HEARTHGLO COMBUSTION SYSTEM

Model D-40 Deep Timber: Flat or Bay



(D40 Flat shown with optional Andover Door and Overlay)

INSTALLATION & OPERATING INSTRUCTIONS



NO. DT-0806



WARNING: THIS APPLIANCE TO BE USED ONLY AS AN INSERT IN SOLID FUEL BURNING FIREPLACES.

AVERTISSEMENT: Cet appareil a être employe seulement comme un inserer dans lecarburant solide brulant des cheminées.

NOTE: THE NATURAL VENT (B-VENT) SYSTEM CANNOT BE USED TO VENT THIS INSERT MODEL!

WARNING: This product must be installed by a licensed plumber or gas fitter when installed in the commonwealth of Massachusetts. Improper installation, adjustment, alteration, service or maintenance can cause injury or property damage. Refer to this manual. For assistance or additional information consult a qualified installer, service agency or the gas supplier.

FOR YOUR SAFETY: DO NOT STORE OR USE GASOLINE OR OTHER FLAMMABLE VAPORS AND LIQUIDS IN THE VICINITY OF THIS OR ANY OTHER APPLIANCE.

POUR VOTRE Sécurité: Ne pas entreposer ni utiliser d'essence ni d'autre vaperures ou liquides inflammables dans le voisinage de cet appareil ou de tout autre appareil.

FOR YOUR SAFETY: WHAT TO DO IF YOU SMELL GAS:

1. OPEN WINDOWS.
2. DON'T TOUCH ELECTRICAL SWITCHES.
3. DO NOT USE ANY PHONE IN YOUR BUILDING
4. EXTINGUISH ANY OPEN FLAME
5. IMMEDIATELY CALL YOUR GAS SUPPLIER FROM A NEIGHBOR'S PHONE.
6. FOLLOW THE GAS SUPPLIERS INSTRUCTIONS.
7. IF GAS SUPPLIER IS UNAVAILABLE, CALL YOUR FIRE DEPARTMENT.

POUR VOTRE Sécurité: Que faire si vous sentez une odeur de gaz:

1. Ne pas tenter d'allumer d'appareil
2. Ne touchez à aucun interrupteur. Ne pas vous servir des télé phones se trouvant dans le bâtiment ou vous vous trouvez.
3. Evacuez la pièce, le bâtiment ou la zone.
4. Appelez immédiatement votre fournisseur de gaz depuis un voisin. Suivez les instructions du fournisseur.
5. Si vous ne pouvez rejoindre le fournisseur de gaz, appelez le service dos incendies.

WARNING: IMPROPER INSTALLATION, ADJUSTMENT, ALTERATION, SERVICE OR MAINTENANCE CAN CAUSE INJURY OR PROPERTY DAMAGE. REFER TO THIS MANUAL. FOR ASSISTANCE OR ADDITIONAL INFORMATION, CONSULT A QUALIFIED INSTALLER, SERVICE AGENCY, OR THE GAS SUPPLIER.

AVERTISSEMENT: Une installation, un réglage, une modification, un entretien ou une maintenance incorrects peuvent entrainer des dommages matériels, des lésions corporelles ou la perte de vies humaines. Consulter le manuel des usagers fourn avec ce generateur d'air chaud.

MISE EN GARDE: Installation, réglage, modification, entretien ou depannage non appropriés pourront causer des blessures ou des dommages materiels. Référez-vous au manuel du propriétaire fourni avec cet appareil. Pour assistance ou renseignements complémentaires, veuillez consulter un installateur expérimenté, une agence dé depannage/entretien ou cotre compagnie gazière. Pour utilisation avec les portes en verre certifiée l'appareil suelement. Ne pas opérer avec le verrière enlever, craquelure, brise.

TABLE OF CONTENTS

SPECIFICATIONS	1
CONGRATULATIONS!.....	2
GENERAL INFORMATION.....	3
ELECTRICAL REQUIREMENTS	3
SPECIFICATIONS & CLEARANCES	4
INSTALLATION INSTRUCTIONS	6
FLUE VENTING	7
RAISED HEARTH SPECIFICATIONS.....	14
GAS SUPPLY REQUIREMENTS.....	15
GAS PRESSURE REQUIREMENTS	16
INSTALLATION CHECK OFF LIST.....	16
LIGHTING CHECK OFF LIST.....	17
LIGHTING INSTRUCTIONS	18
DEEP TIMBER LOG SET INSTALLATION INSTRUCTIONS.....	20
WALL SWITCH, REMOTE CONTROL OR THERMOSTAT OPERATION.....	28
BLOWER OPERATION AND WIRING	29
BLOWER (S) REMOVAL	30
CUSTOMER INFORMATION AND TROUBLE-SHOOTING	31
TROUBLE SHOOTING MENDOTA GAS FIREPLACE INSERT.....	32
GAS FLAME ADJUSTMENT	32
MAINTENANCE.....	33
REPLACEMENT PARTS LIST.....	34
NATURAL TO LP GAS CONVERSION	35
“LABEL REPRESENTATION”	37
MENDOTA WARRANTY QUALIFICATION & SERVICE REFERENCE FORM.....	38
MENDOTA EXTENDED LIFETIME PROTECTION AND LIMITED WARRANTY.....	42

SPECIFICATIONS MODEL D-40 DEEP TIMBER

	<u>High Fire</u> -	Adj. to -	<u>Low Fire</u>
BTUH	40,000	----	6,500
BTUH	39,000	----	6,500
A Natural Gas to LPG conversion kit #HA-34-00178 must be purchased separately to burn LPG. – SEE Pg 35			
MAIN ORIFICE.....REAR BURNER: 32” NAT. GAS [1/16” L.P. GAS] – FRONT BURNER: #48 NAT. [#57 LP]			
OVERALL EFFICIENCY.....	EXCEEDS D.O.E. EFFICIENCY REQUIREMENTS (A.F.U.E.)		
FLUE VENT LINER.....	CO-LINEAR - 4” DIAMETER EXHAUST & 4” DIAMETER INLET or CO-AXIAL - 4” DIAMETER EXHAUST & 6 “ DIAMETER INLET		
NET WEIGHT.....	195 lbs.		
SAFETY	AGA CERTIFIED PILOT GENERATOR, MILLIVOLT SYSTEM ACTIVATED WITH SWITCH, REMOTE CONTROL OR THERMOSTAT.		
GAS REQUIREMENTS	<u>SUPPLY PRESSURE:</u> GAS INLET: 3/8" N.P.T.		
	NAT. GAS:	7" W.C.	[5.0" W.C. MIN., 11" W.C. MAX.]
	L.P. GAS:	11" W.C.	[11" W.C. MIN., 13" W.C. MAX.]
ELECTRICAL REQUIREMENTS	120 Volts AC, 2 Amps		

LISTINGS INTERTEK TESTING SERVICES TESTED TO: ANSI Z21.11.1-1993 & CAN1-2.1 M89 "GAS-FIRED VENTED ROOM HEATERS" & CAN/CGA 2.17-M91 "GAS-FIRED APPLIANCES FOR USE AT HIGH ALTITUDES", ANSI Z21.44-1995 "GAS-DIRECT VENT WALL FURNACES" AND CGA INTERIM REQUIREMENT #41-M91 "DIRECT VENT GAS FIREPLACES" AND UL307B "MOBILE HOME, APPROVED EXCEPT RECREATIONAL VEHICLES"

Gas appliances must be tested and certified by a nationally recognized testing and certification agency to American National Standards Institute - ANSI Gas Appliance Safety Standards. For more information see Pg. 37. The Mendota Gas Fireplace Insert has been tested and certified by Intertek Testing Services. 8431 Murphy Drive, Middleton, WI 53562.

INSERT INCLUDES HEARTHGLO COMBUSTION SYSTEM, DUAL HOT AIR BLOWERS, 6-PIECE CERAMIC FIBER LOG SET & COALS, NEO-CERAM GLASS, PIEZO IGNITER AND AGA CERTIFIED SAFETY SYSTEM.
 OPTIONS: BLACK OR BRASS GRILL SETS, BLACK OR GOLD FILIGREE FRONTS, BLACK ARCHED DOOR KITS (ANDOVER), 3 SIZES OF SURROUNDS & 2 TYPES (CO-LINEAR OR COAXIAL) OF VENTING KITS.

CONGRATULATIONS!

You are the owner of a world-class heat producing gas fireplace insert.

This elegant, highly efficient insert will be a constant source of comfort and fascination. It will be the focal point of beauty and interest in your home.

The Mendota Gas Fireplace Insert is a true heating appliance incorporating the traditional aesthetics of fireplace fire viewing with the controllability and fuel efficiency of a home gas furnace. Of particular interest is the low fuel consumption and brilliant fire viewing afforded by the patented realistic Hearth-Glo wood fire-like combustion system.

Carefully read the following instructions prior to actual installation. Proper Mendota Gas Fireplace Insert installation and operation will give you years of safe trouble free comfort and enjoyment.

If you have any questions regarding installation or operation of your Mendota Fireplace Insert please contact your local dealer.

...CAUTION...

FOR YOUR SAFETY do not install or operate your Mendota Gas Fireplace Insert without first reading and understanding this manual. Any installation or operational deviation from the following voids the Mendota Gas Fireplace Insert Warranty and may prove hazardous:

Due to high temperatures, the Fireplace in which the Insert is to be installed should be located out of traffic and away from furniture and draperies. Children and adults should be alerted to the hazards of high surface temperature and should stay away to avoid burns or clothing ignition. Young children should be carefully supervised when they are in the same room as the Mendota Gas Fireplace Insert.

Clothing or other flammable material should not be placed on or near the Insert.

Mendota Inserts are designed for installation only in vented non-combustible fireplaces. Any fireplace in which an Insert is to be installed **MUST** be vented to the outside in accordance with the latest addition of Natural Fuel Gas Code. Do not connect this appliance to a chimney flue serving a separate solid fuel-burning appliance. Any grill, panel or glass removed for servicing the Insert **MUST** be replaced prior to operating the Insert.

The Mendota Gas Insert is a powerful, efficient heating unit. It has been designed as a major source of supplemental heat. It should not take the place of, or be used as, a whole house heating system.

Installation and repair should be done by a qualified service person. The Insert should be inspected before use and at least annually by a professional Mendota approved service person. More frequent cleaning may be required due to excessive lint from carpeting, bedding material, etc. It is imperative that control compartments, burners and air passageways be kept clean.

DO NOT use this insert if any part has been under water or exposed to moisture corrosion. Immediately call a qualified service technician to inspect the Fireplace Insert and replace any part of the control system and any gas control that has been under water. DO NOT use this insert if burner does not light immediately. If burner does not light promptly, turn off unit and call your Mendota dealer.

It is Johnson Gas Appliance Company's policy that no responsibility is assumed by the Company or by any of its employees or representatives for any damages caused by an inoperable, inadequate, or unsafe condition that is the result, either directly or indirectly, or any improper operation or installation procedures.

INSTALLER: THESE INSTRUCTIONS ARE TO REMAIN WITH HOMEOWNER.

GENERAL INFORMATION

Your Mendota Gas Fireplace Insert has a state-of-the-art direct vent, sealed combustion system. This advanced, highly efficient system brings in outside air for combustion, has a separate exhaust vent and efficiently heats and re-circulates room air. The Mendota system maintains high air quality, maximizes efficiency and assures proper operation.

SAFETY AND STRUCTURAL CONCERNS:

The D-40 Fireplace Insert must be installed and serviced by a Mendota approved serviceperson. Any adjustments to burner, pilot, logs or coal bed must be made by a Mendota approved service person. Pilot flame must be checked with a voltmeter. Pilot flame must register a minimum of 325 on (DC) millivolt meter. If pilot goes out, always wait five (5) minutes before relighting pilot. **ALWAYS REMOVE THE GLASS WHEN LIGHTING THE PILOT.** The burner must light immediately and the flame must travel promptly and smoothly around "curve" and light entire burner. The flame must not "lift" off the burner.

NEVER BLOCK OFF UPPER OR LOWER GRILLS. ALWAYS USE MENDOTA GRILLS, MENDOTA VENT SYSTEMS AND MENDOTA APPROVED VENT CAPS.

A non-combustible hearth protector is required and must extend a minimum of 16" in front of the fireplace when this insert is installed at floor level.

VENTING REQUIREMENTS:

Use only Mendota specified vents and vent caps when installing your fireplace insert. All vent pipe sections must be tight and leak proof.

HEATING PERFORMANCE

The Mendota D-40 Fireplace Insert is a true, high efficiency gas heater. With a heat output of 32,000 BTUH, the Mendota Insert will usually heat a large area of your home if situated to maximize heat circulation. **NOTE:** The Mendota Insert is designed as a supplemental heat source. It should not be used as a whole house heating system. Supplemental air movement considerations for maximizing heat circulation are: through-the-wall grills, floor grills, ceiling fans, or the continuous operation of central heating and cooling blowers. The most **EFFICIENT** and successful method for overall heat distribution is a ceiling fan. Additional information on heat is given on Pg. 31 "Customer Information". The heat output of the Insert can be reduced by up to 13,000 BTUH by slowly turning the Hi/Lo temperature knob on the front of the gas valve counterclockwise from "Hi" to "Lo". Heat output can be further reduced to 6,500 BTUH by turning off the rear burner. The blowers can also be turned down to reduce heat output.

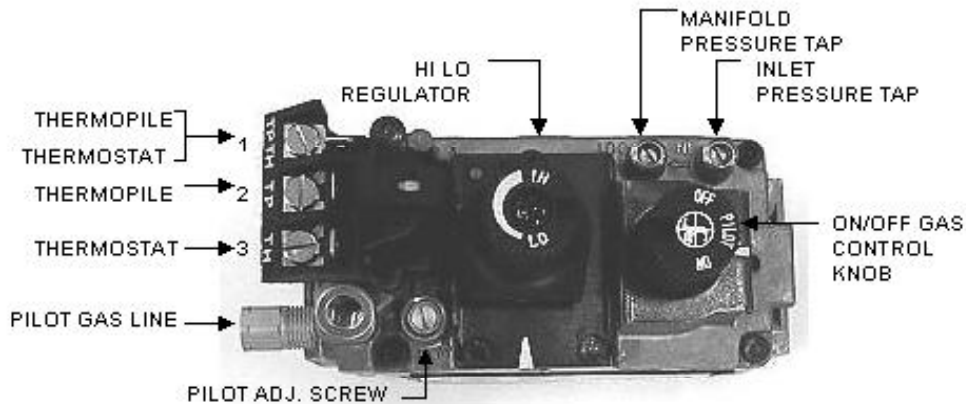


FIGURE 1: Main Gas Valve

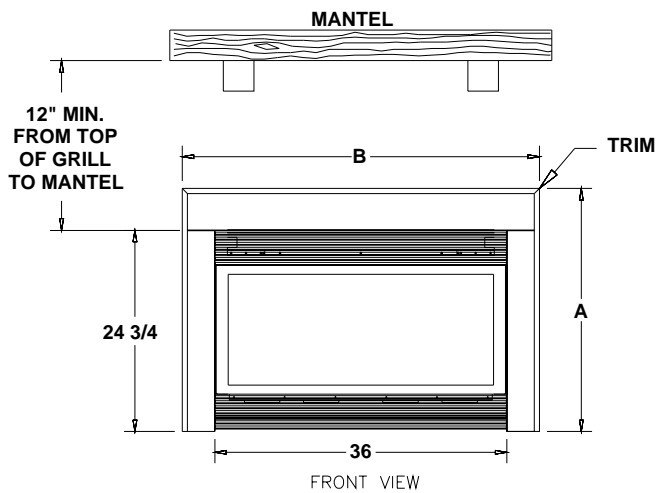
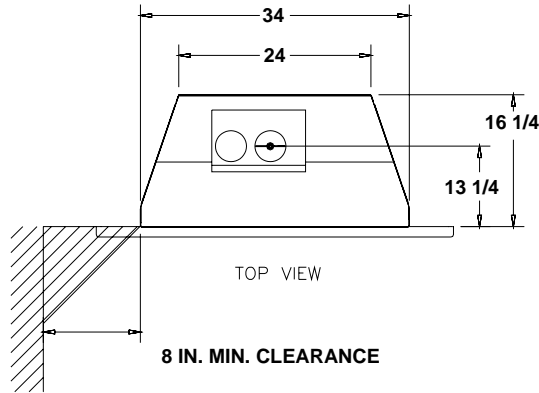
ELECTRICAL REQUIREMENTS

A 120-volt electrical service must be supplied at the fireplace location at the time of installation.

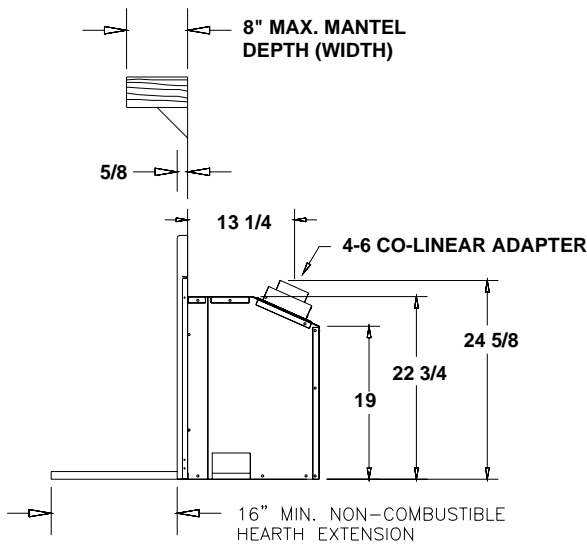
The blowers must be electrically grounded in accordance with local codes or in the absence of local codes, with the National Electric Code ANSI/NFPA 70-1987. The blowers are equipped with a three-prong (grounding) plug for your protection against shock hazard and should be plugged directly into a properly grounded three-prong receptacle. **DO NOT CUT OR REMOVE THE GROUNDING PRONG FROM THIS PLUG!**

If an optional thermostat is installed, thermostat wire should be run from desired thermostat location (or "on/off" switch) to the gas control (located behind lower grill) — see optional thermostat installation section. Inlet holes are provided on left and right sides for electrical and gas connections.

MENDOTA D-40 GAS DIRECT VENT FIREPLACE INSERT SPECIFICATIONS & CLEARANCES

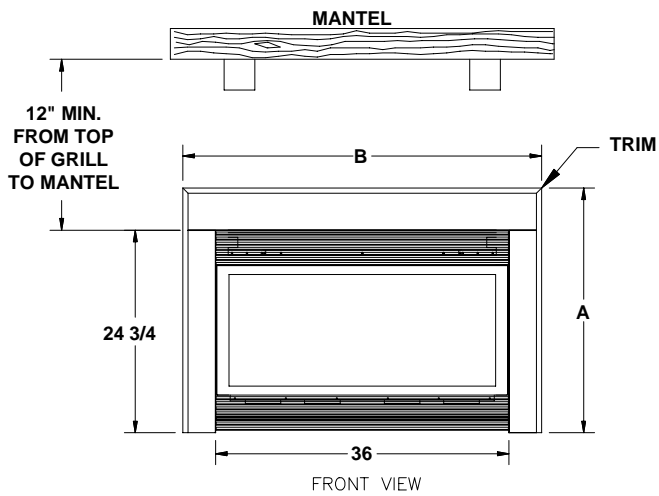
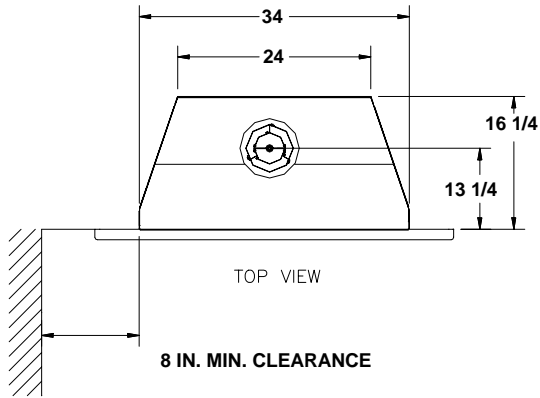


D-40 Surround Dimensions				
	A		B	
	Inches	mm.	Inches	mm.
No Trim	31	788	44	1118
	33	838	48	1220
	36	914	52	1321
With Black or Brass Trim	31 1/16	792	44 1/8	1122
	33 1/16	843	48 1/8	1224
	36 1/16	920	52 1/8	1326



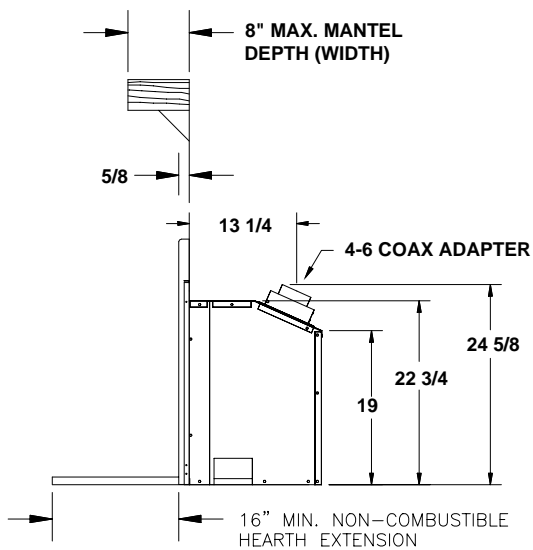
MENDOTA D-40 GAS DIRECT VENT FIREPLACE INSERT

SPECIFICATIONS & CLEARANCES



D-40 Surround Dimensions				
	A		B	
	Inches	mm.	Inches	mm.
No Trim	31	788	44	1118
	33	838	48	1220
	36	914	52	1321
With Black or Brass Trim	31 1/16	792	44 1/8	1122
	33 1/16	843	48 1/8	1224
	36 1/16	920	52 1/8	1326

FIGURE 2: D-40 Surround Dimensions



CO-AXIAL VENT ADAPTER

INSTALLATION INSTRUCTIONS

CAUTION: Each installation must conform to all local, state and national codes. Refer to the national fuel gas code and local zoning and code authorities for details on installation requirements. The Mendota Inserts must be vented to the outside in accordance with the latest edition of the National Fuel Gas Code. In the absence of local codes, the installation must conform with National Fuel Gas Code ANSI Z223.1 (NFPA 54), or Canadian Code CAN1-B149 or most current edition, also known as NFPA 54. Do not connect this Insert to a chimney flue serving a separate solid fuel or gas-burning appliance.

1. Remove glass doors, metal fire screens, etc. from existing fireplace. Be sure there is 12" minimum distance from top of upper grill to bottom of mantel; see Specifications [Pg.4 & 5], and a 16" minimum non-combustible hearth extension in front of the glass surface if a raised hearth is not supplied. (See pg. 14 for "Raised Hearth").
2. Remove any additional framework or other obstructions in the existing fireplace opening and burning area. Also remove any chimney cap from top of chimney so that vent liner can be installed freely.
3. Before Insert is installed, have gas supplier or contractor run gas line to the existing fireplace. Be sure gas plumbing instructions [see Pg. 15 & 16 are carefully followed. Gas supply may enter fireplace on either side or back of fireplace, whichever is most convenient and accessible. Electrical service (120 volt) should also be supplied [See electrical requirements on Pg. 3 and blower instructions on Pg. 29].
4. The entire chimney should be swept to remove creosote, soot and any obstructions (bird nests, etc.).
5. Open fireplace damper. If damper opening is large enough to accept 4" and 6" flue liners, permanently secure damper in "open" position. **NOTE:** *Massachusetts requires that the flue damper must be removed or permanently welded in the "open" position.*
6. If damper opening is too small for the 4" & 6" flue liners, it will be necessary to remove the damper handle and the damper plate. Some damper plates are held in place by a pinned hinge that can be released easily by tapping out the pin with a hammer and punch. Others may be held in place by a screw or bolt, or pivots may be cast into the damper housing. The latter types may be harder to get out and may require sawing or breaking out. [NOTE: if flue size is 6" (127 mm) or less, or if severe offsets occur, or a significant mortar slop is evident between the liners, try to snake liner down the chimney to the top of the damper housing before breaking out damper plate and housing.]

CAUTION: If 4" & 6" flue liners cannot be installed in an extremely tight chimney DO NOT proceed with installation.

7. If damper opening is narrower than 4-1/2" to 5" (114 mm to 127 mm) and if local code authorities allow, loosen and remove mortar behind back side of damper housing in the center of the opening enough to get the gripping teeth of a pipe wrench over the flange of the damper housing (for cast iron housings). Tighten the wrench snugly, and kick down on the wrench handle to break out a half moon shaped piece of the damper housing, enough to easily fit the flex liner through it. If the opening is wide enough, the break out is not necessary.
8. **Install Insert only in chimney heights of 12' (minimum) to 35' (maximum) -- as measured in step 9 below.**
9. Measure the chimney height from the top of the chimney (or the existing flue liner) to a point 23" (584 mm) above the floor of the fireplace hearth. It may be necessary to drop a rope and measure the rope itself. Be sure to allow for all offsets in existing chimney. Cut the 4" diameter flex liner (s) to this measured length.

FLUE VENTING

10. The D-40 Insert must be vented vertically to the outside and must use the Mendota flexible ducting system. There are two methods for venting Mendota Direct Vent Inserts: 1) Co-Axial and 2) Co-Linear

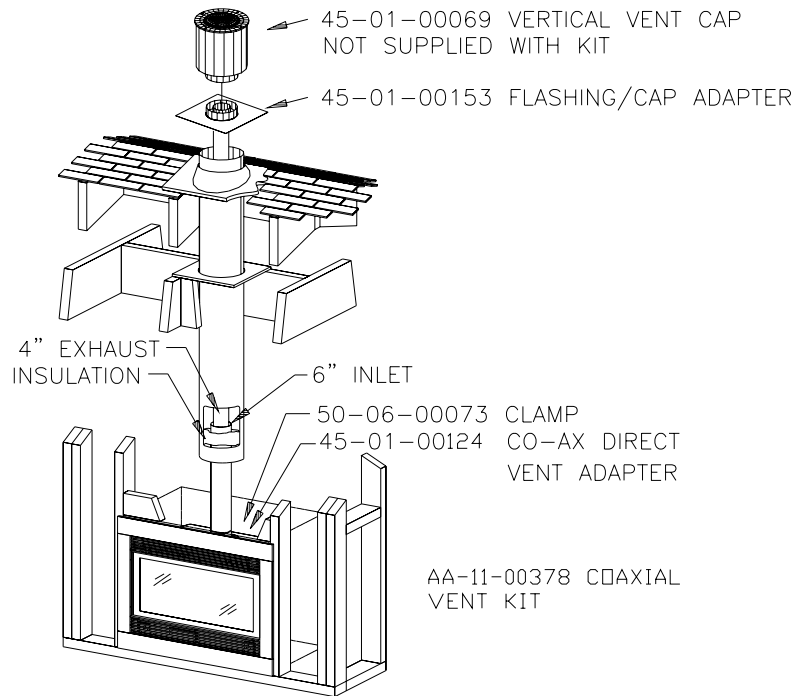


FIGURE 3

CO-AXIAL VENT KIT (Typically for factory built ZC fireplaces.)

NOTE: THE INSERT IS DESIGNED, TESTED AND LISTED FOR OPERATION ONLY WITH MENDOTA INSERT VENTING COMPONENTS AS LISTED IN FIGURES 3, 3A, 4 & 4A.

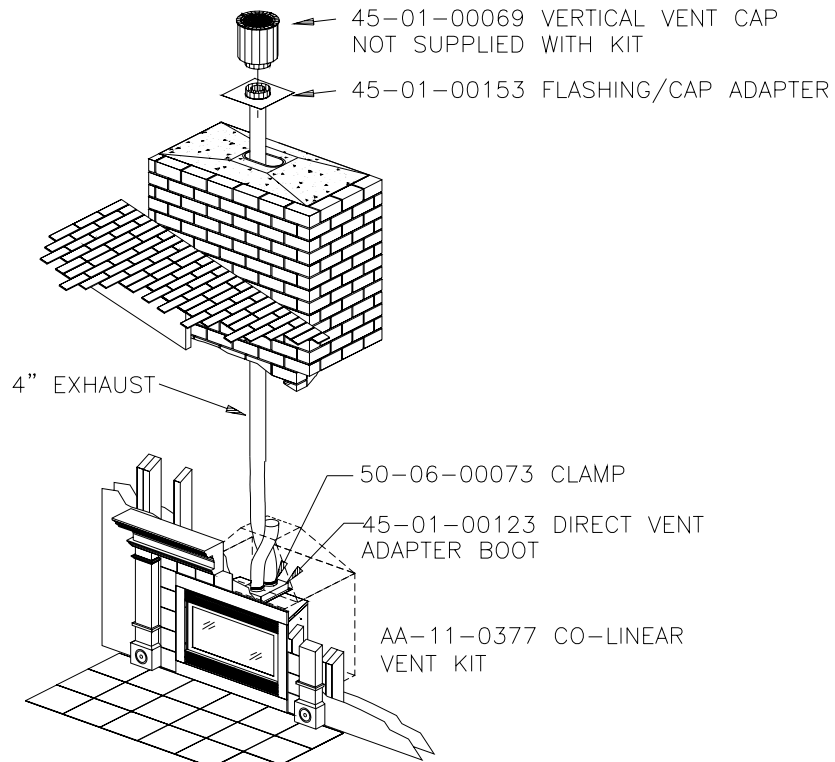
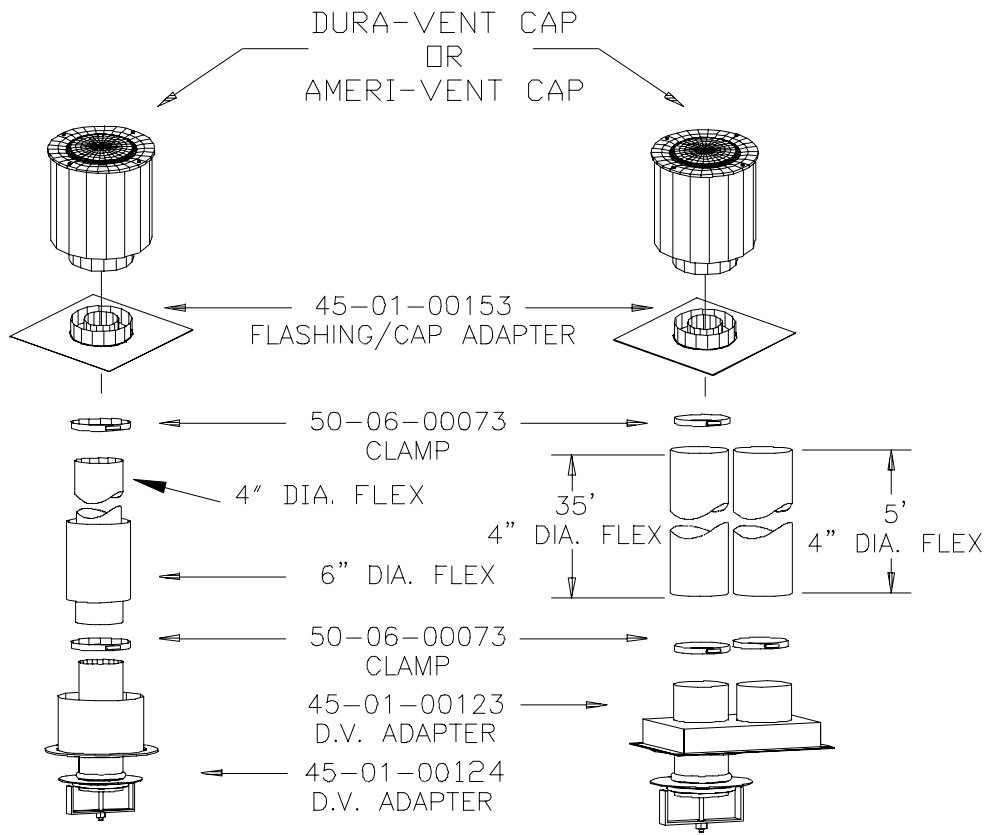


FIGURE 3A



AA-11-378 CO-AXIAL VENT KIT

AA-11-377 CO-LINEAR VENT KIT

FIGURE 4

NOTE: THE INSERT IS DESIGNED, TESTED & LISTED FOR OPERATION ONLY WITH MENDOTA INSERT VENTING COMPONENTS AS LISTED IN FIGURES 3, 3A, 4 & 4A.

11. (See FIGURE 4A) The vent kits include a trimable flashing. Measure, trim and shape flashing to fit the existing flue liner. This flashing prevents water and small animals from entering area between the chimney liner and flue liner. Plan for 1" to 1-1/2" (25 mm to 38 mm) overlap on each side. Center the flashing and mark it about 3" (75 mm) larger in each dimension than the existing chimney. Trim the notch with snips and bend edges with hand seaming tool, metal break or pliers.



FIGURE 4A: Chimney Flashing and cap

12. Attach a sheet metal strap loop to the flex end of the liner(s) and tie a rope to it. Two installers should proceed to the roof and drop the rope (with weight on the end to make sure it goes all the way down) and insert the liner(s) past the flexible portion, into the existing chimney [See FIGURE 5].

NOTE: Repeat this step for second liner on chimneys 9" and larger.

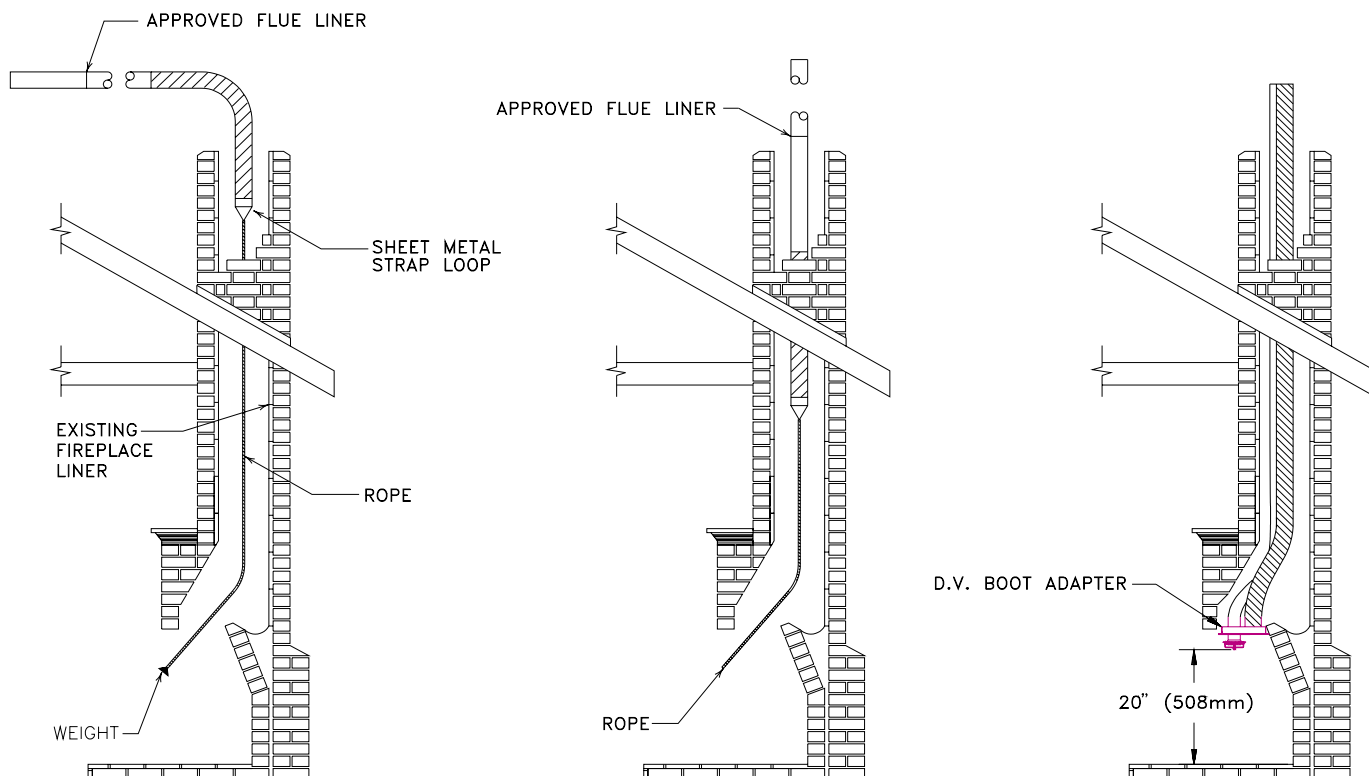


FIGURE 5

13. One installer should then return to the fireplace opening and pull the rope to guide the liner(s) into place through the smoke shelf and the damper opening to a point 20" (508 mm) above the fireplace hearth [See FIGURE 5]. It may be necessary for the person on the roof to turn the liner slightly to avoid mortar chunks and misaligned tiles. The person below should wear leather gloves and Safety Glasses during this process to avoid being cut and to safeguard eyes from flying debris.

CAUTION: WHEN USING FLEX ALUMINUM LINER, USE EXTREME CAUTION WHEN STRETCHING LINER AROUND OFFSETS SO AS NOT TO RUPTURE LINER.

14. TYPICALLY FOR FACTORY BUILT ZC FIREPLACES, REFER TO PAGE 7.

Use Mendota Co-Axial Vent Kit -- # AA-11-00378 4" exhaust flex pipe extends full length of chimney from vent boot adapter to vent cap. 6" inlet flex pipe extends from vent boot adapter to existing chimney, above damper area (approx. 4 - 5 ft.). Tightly secure flex vents with clamps provided. Seal vent cap/flashing to top of chimney with weatherproof sealer. Seal areas between 6" flex pipe and chimney, at damper area, with unfaced fiberglass insulation.

15. TYPICALLY FOR MASONRY FIREPLACES, REFER TO PAGE 7.

Use Mendota Co-Linear Vent Kit -- # AA-11-00377 4" exhaust flex pipe extends full length of chimney - from vent boot adapter to vent cap. 4" inlet flex pipe extends from vent boot adapter to existing chimney, above damper area (aprox.4-5 ft.). Tightly secure 4" flex pipes using clamps provided. Seal vent cap/flashing to top of chimney with weatherproof sealer. Seal areas between 4" flex pipes and existing chimney, at damper area, with unfaced fiberglass insulation.

16. You are now ready to install the Mendota Gas Insert.

A. Lift Insert vertically from carton/pallet.

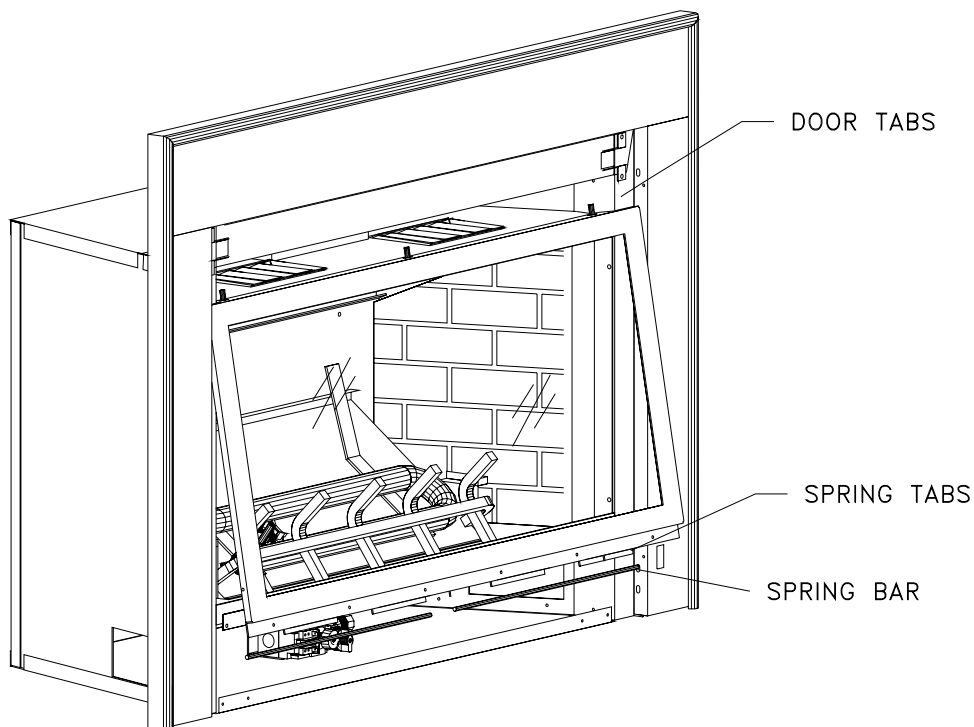


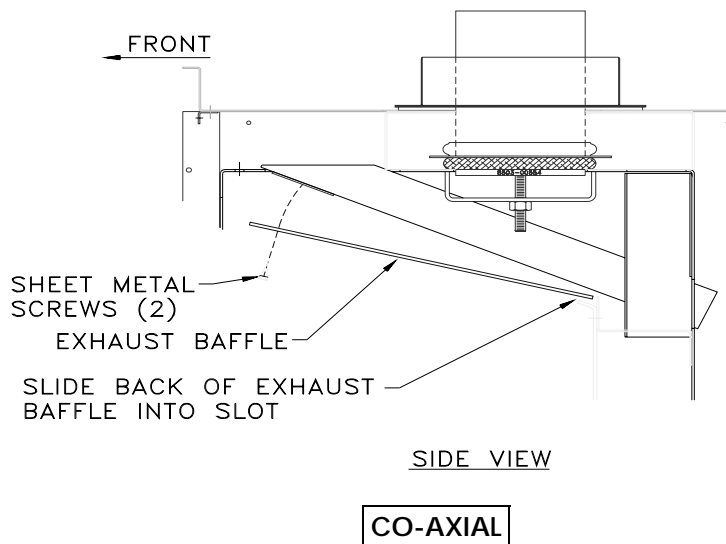
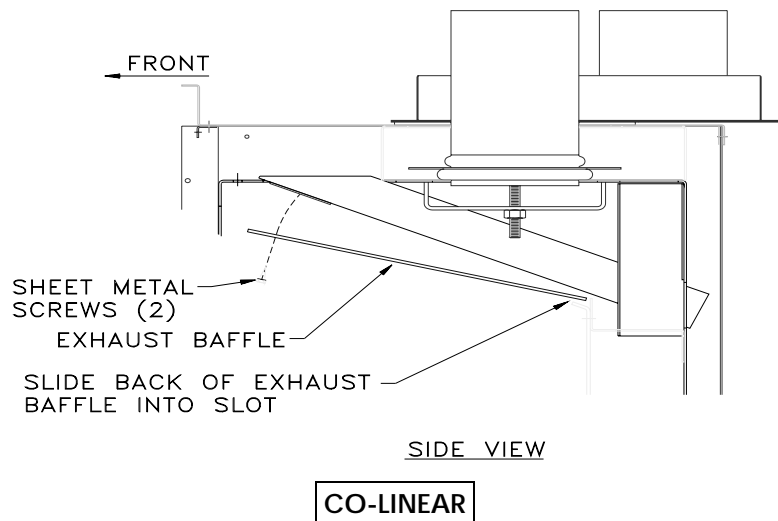
FIGURE 6 : OPENING THE GLASS DOOR

17. Remove 5/16" nut and locking u-clamp from vent boot adapter (See FIG. 7A, Pg. 12).

18. You are now ready to hook up the Insert to gas supply. Be sure gas plumbing instructions, [Pg. 15 & 16], and all state and local codes have been carefully followed. Be sure all items on Installation Check-Off List [Pg. 17] have been completed.

NOTE: AGA APPROVED FLEX LINES ARE APPROVED FOR USE WITH MENDOTA INSERTS.

19. Carefully slide the Insert into place in the fireplace opening. At this time, check that Insert is level and plumb with the fireplace opening and positioned in the middle of the opening. If Insert is unsteady or needs leveling, the unit may be leveled by adjusting the four (4) leveling bolts provided within the unit. Leveling bolts are located inside the Gas Valve/Blower compartment.

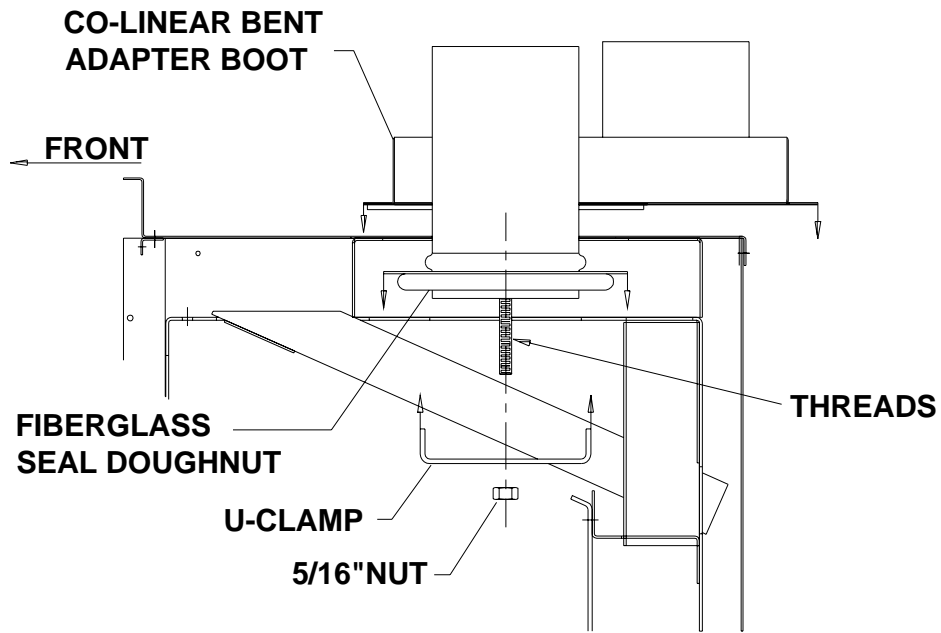


FIGURES 7
Exhaust Baffle

20. VENT BOOT ADAPTER INSTALLATION: (SEE FIGS. 7 & 7A)
- Remove 2 sheet metal screws inside top of firebox at front edge.
 - Remove exhaust baffle by dropping front edge downward and lifting rear edge off ledge. Set aside baffle for later re-installation.
 - Reach up through firebox opening and pull vent boot adapter downward until threaded rod is visible.
- NOTE: Co-Linear vent boot adapter may be rotated 360° as required.**

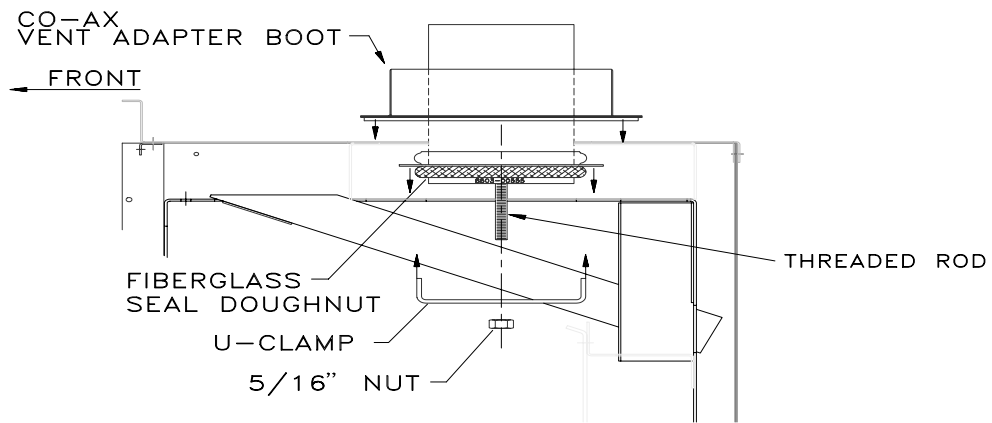
21. FINAL VENT BOOT ADAPTER INSTALLATION

- A. Place u-clamp over threaded rod. Thread clamping nut on threaded rod and tighten firmly.
- B. Reinstall exhaust baffle by placing rear edge on ledge, swinging front edge upward and reinstalling two (2) sheet metal screws. **CAUTION: The exhaust baffle must be reinstalled before operation.**



SIDE VIEW

CO-LINEAR



SIDE VIEW

CO-AXIAL

FIGURES 7A

22. The proper Insert surround can now be placed in position. Assemble surround by following instructions supplied with surround kit. Surround kits are available for use with each model Mendota Insert. Select the size of the surround to fill the area between the Insert and existing fireplace opening. (Fig.2, pg. 4)

23. D-40 GRILL INSTALLATION

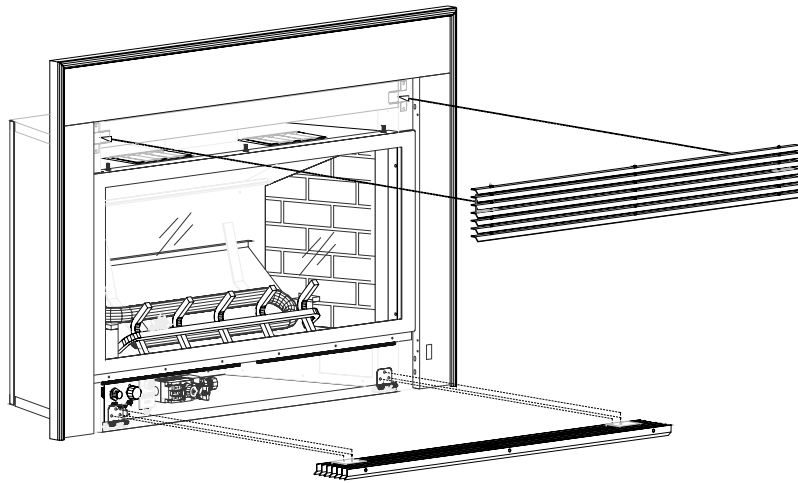


FIGURE 8: FLAT FRONT

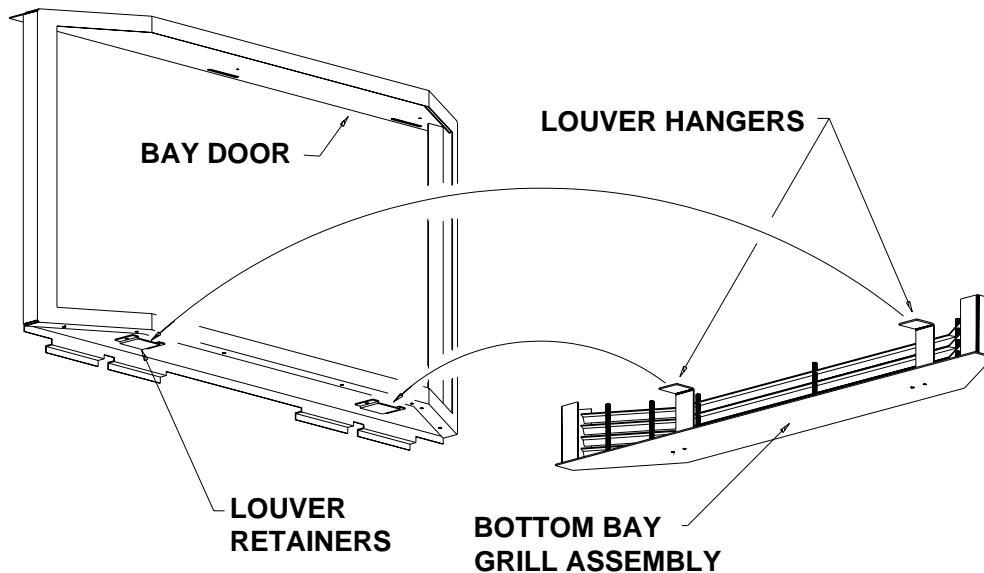


FIGURE 8A: BAY FRONT

...IMPORTANT...

NOTE: INSTALLATION, SERVICING AND REPAIR MUST BE DONE BY A QUALIFIED SERVICE PERSON. THE INSERT SHOULD BE INSPECTED AT LEAST ANNUALLY BY A PROFESSIONAL SERVICE PERSON. MORE FREQUENT CLEANING MAY BE REQUIRED DUE TO EXCESSIVE LINT FROM CARPETING, BEDDING MATERIAL, ETC. IT IS IMPERATIVE THAT THE CONTROL COMPARTMENT BURNERS AND CIRCULATING AIR PASSAGEWAYS OF THE INSERT BE KEPT CLEAN.

RAISED HEARTH SPECIFICATIONS

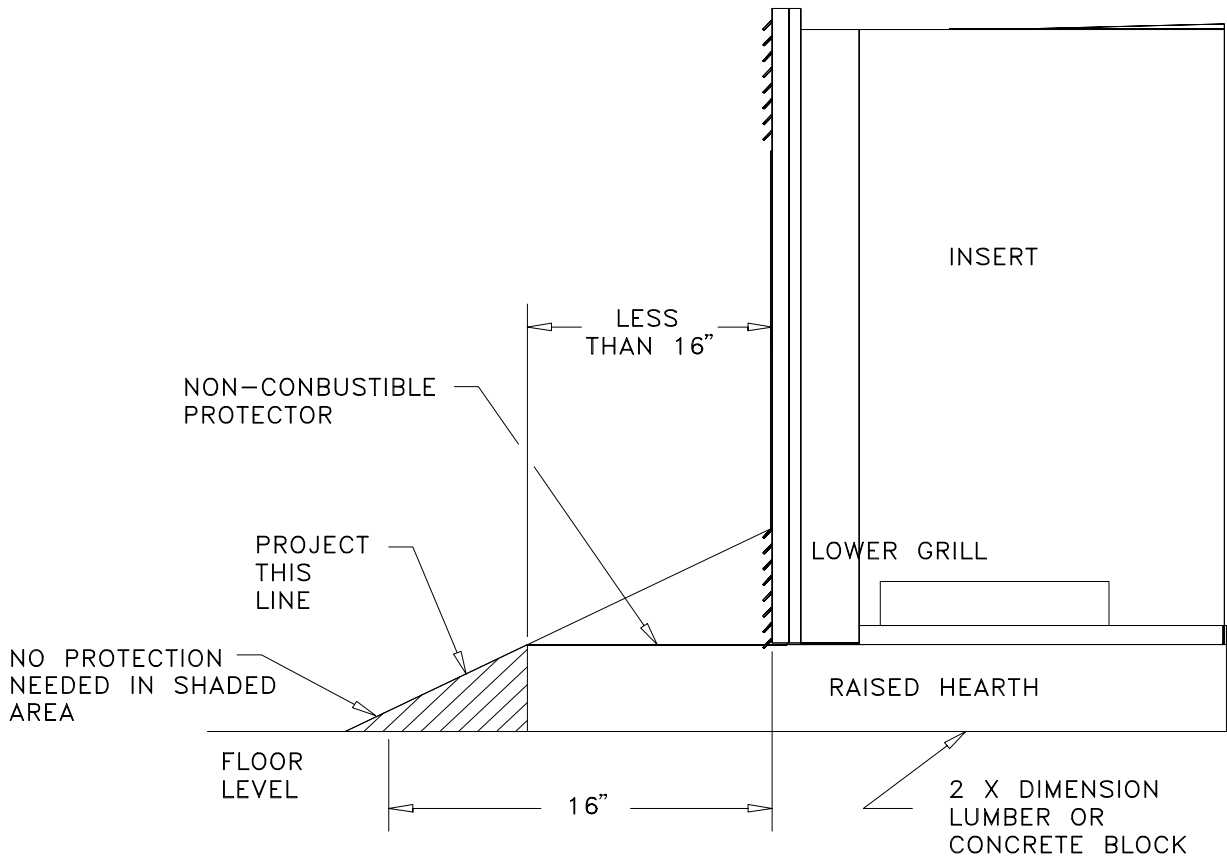


FIGURE
9

In most installations, a 16" non-combustible protector is required in front of the unit's glass door surface on the floor or raised hearth. This protection can be any non-combustible material such as 24-gauge sheet metal, tile, brick, concrete board, etc. Please note that the required 16" clearance starts at the front face of the glass door. If replacing a wood-burning insert with this gas insert, the existing and approved hearth protection will provide adequate floor protection.

If a raised hearth extends less than 16", refer to the diagram above and the following procedure to see if additional floor protection is required.

Project a line (using string or a tape measure) from the top of the lower grill to the edge of the raised hearth, continuing on to the floor. If the point of intersection with the floor is beyond 16" from the Insert, then no further floor protection is required. If the intersection is less than 16" from the Insert then additional non-combustible floor protection is required to meet the minimum 16".

For installations where the fireplace is raised 16" or more (from the top of the lower grill) above the floor or if the floor is non-combustible (stone, brick, etc.), a non-combustible protector is not required.

GAS SUPPLY REQUIREMENTS

CORRECT GAS PRESSURE AND PROPER GAS SUPPLY LINE SIZING IS IMPERATIVE TO THE SUCCESSFUL PERFORMANCE OF YOUR ENDOTA GAS FIREPLACE INSERT. BE SURE THE GAS SUPPLIER OR PLUMBER CAREFULLY CHECKS FOR CORRECT GAS PRESSURE AND GAS LINE SIZING WHEN INSTALLING THE FIREPLACE INSERT.

IT IS CRITICAL TO CAREFULLY CHECK FOR GAS LEAKS WHEN HOOKING UP THE FIREPLACE INSERT -- CHECK WITH SOAP & WATER SOLUTION.

BE SURE TO INSTALL FLEX GAS LINE WITH BRASS-TO-BRASS FITTINGS TO PREVENT GAS LEAKS AT CONNECTIONS.

GAS SUPPLY PIPING MUST INCLUDE A DRIP LEG TO ELIMINATE THE POSSIBILITY OF CONTAMINANTS ENTERING THE GAS TRAIN. ADHERE STRICTLY TO LOCAL AND NATIONAL CODES.

GAS SUPPLY LINE SIZING

The Mendota Gas Insert comes equipped with a 3/8" N.P.T. [1.0 cm] inlet on the main gas valve. Gas supply piping may enter the cabinet from either the left or right side.

The proper gas line diameter must be selected to run from the supply regulator to the Insert. Refer to the following table for proper gas pipe diameters.

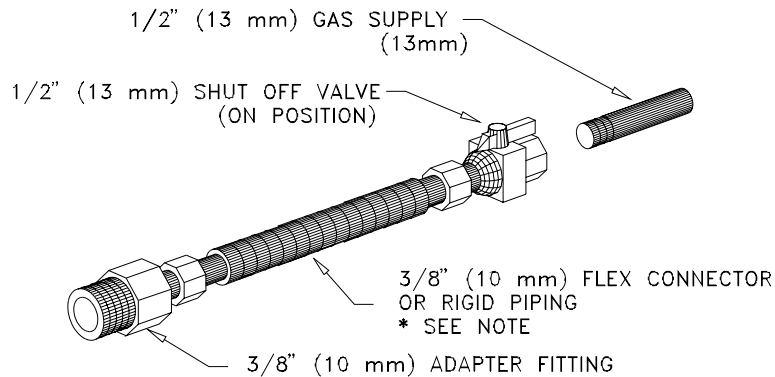
PIPE LENGTH [FEET]	SCHEDULE 40 PIPE INSIDE DIA.		TUBING, TYPE L OUTSIDE DIA.	
	NAT.	L.P.	NAT.	L.P.
0-10	1/2" [1.3 cm]	3/8" [1.0 cm]	1/2" [1.3 cm]	3/8" [1.0 cm]
10-40	1/2" [1.3 cm]	1/2" [1.3 cm]	5/8" [1.6 cm]	1/2" [1.3 cm]
40-100	1/2" [1.3 cm]	1/2" [1.3 cm]	3/4" [2.0 cm]	1/2" [1.3 cm]
100-150	3/4" [2.0 cm]	1/2" [1.3 cm]	7/8" [2.3 cm]	5/8" [1.6 cm]
150-200	3/4" [2.0 cm]	1/2" [1.3 cm]	7/8" [2.3 cm]	3/4" [2.0 cm]

NOTE: Some areas allow copper tubing or galvanized pipe - check with local approval agencies and codes NEVER use plastic pipe.

GAS PRESSURE CHECKING REQUIREMENTS

A pressure tap for checking gas pressure is located on the main gas valve. A qualified installer should use this fitting for setting the correct gas pressure during initial installation. [See Gas Pressure Chart Pg. 16].

If supply gas pressures exceed 1/2 PSIG [3.5KPA], the appliance must be isolated from its supply with an approved manual shut-off cock. This manual shut-off cock must be closed during any supply line pressure testing. Check with your gas supplier or plumber.



SUGGESTED PIPING CONFIGURATION
(SUPPLIED BY MANUFACTURER)

NOTE: DO NOT DAMAGE OR KINK THE FLEX CONNECTOR
CHECK FOR GAS LEAKS WITH SOAP AND WATER SOLUTION.

* NOTE: 3/8" (10 mm) FLEX OR RIGID PIPING MAY BE USED TO CONNECT GAS SUPPLY TO UNIT DEPENDING ON STATE AND LOCAL CODES.

NOTE: BE SURE TO INSTALL FLEX GAS HOSE WITH BRASS-TO-BRASS FITTINGS TO PREVENT LEAKS AT CONNECTION.

FIGURE 9: Piping Detail

GAS PRESSURE REQUIREMENTS

A MAJOR CAUSE OF OPERATING PROBLEMS WITH GAS APPLIANCES CAN BE IMPROPER GAS PRESSURE!

Such problems as changes in flame color or configuration, gas pilot or burner outages, intermittent operation, changes in heat output, excessive burner noise, etc. are nearly always the result of changes in gas pressure or improper gas pressure at the time of the installation. The most important item to check during the installation and the first thing to check when problems occur is gas pressure!

Gas supplies normally enter a residence at 1/2 PSI (13" - 15" W.C.) (3. KPA). A regulator is then placed inside the residence, which drops this pressure to 7" W.C. (1.8 KPA) (Nat. Gas). This "inches to inches" regulator is of adequate capacity to service the gas appliances (such as dryer, furnace, etc.). If this regulator's capacity is not sufficient to add the Gas Fireplace, an additional "inches to inches" regulator must be installed for the Fireplace. EXCEPTION: Some codes allow 2-PSI (1.4KPA) supplies to enter the residence, in which case "pounds to inches" regulators are used.

The following table provides information on correct gas pressure requirements. Be sure your gas supplier or plumber carefully follows this table.

	DESIRED INLET PRESSURE	MINIMUM INLET PRESSURE	MAXIMUM INLET PRESSURE	MANIFOLD OUTLET PRESSURE	AIR SHUTTER POSITION*
NATURAL GAS	7.0" W.C. (1.75 kPa)	5.0" W.C. (1.12 kPa)	11" W.C. (2.61 kPa)	3.5" W.C. (0.87 kPa)	1/8 - 1/4 " OPEN (7 mm)
L.P. GAS	11.0" W.C. (2.75 kPa)	11" W.C. (2.75 kPa)	13.0" W.C. (3.24 kPa)	10.0" W.C. (2.5 kPa)	½" OPEN-MIN. (14 mm)

TURN GAS VALVE KNOB TO "HIGH" POSITION. GAS PRESSURES MAY VARY PLUS OR MINUS 5%.

*NOTE: FOR HIGH ALTITUDE (ABOVE 5,000 FEET) SOME VARIATIONS IN AIR SHUTTER SETTINGS MAY BE REQUIRED.

Manifold pressure must be taken at the MANIFOLD" tap and inlet pressure at the "SUPPLY" tap **with the burner operating** by a qualified installer (see Figure 10: Pressure Test Port).

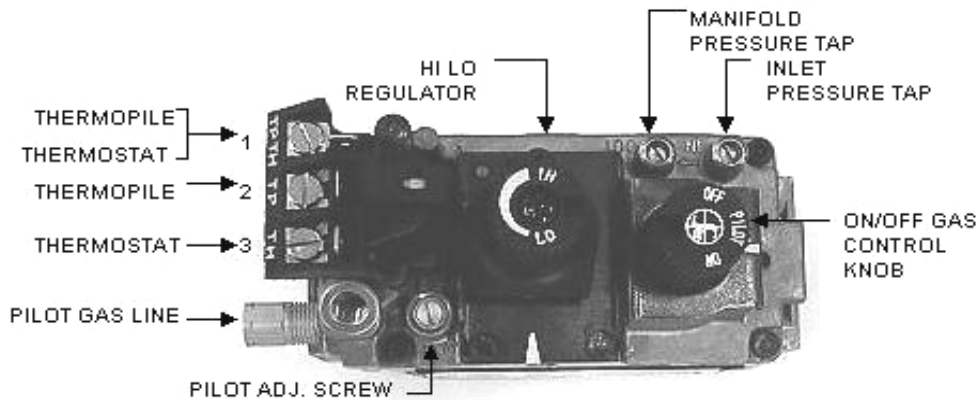


Figure 10: Pressure Test Port

GAS LEAK TEST REQUIREMENT: It is the responsibility of the installer/service person to assure that each and every gas connection and supply tubing that are a part of this fireplace are leak proof. The qualified/ certified individual connecting the gas supply line, performing pressure tests or performing any service to this fireplace is required to perform a THOROUGH LEAK TEST on ALL gas fittings that are a part of this appliance or the gas supply line connection using soap-water solution or a calibrated combustible gas detector. Failure to perform this leak test may lead to a house fire and/or an explosion. Mendota is not responsible for any damages due to an Installer's failure to conduct a leak test and verify that all connections and supply lines are leak proof.

INSTALLATION CHECK OFF LIST

The following check list must be completed prior to initial lighting of the Fireplace Insert, or manufacturer's warranty and liabilities will be voided:

- Venting system must be installed by a Mendota approved person according to Figure 3, Pg. 7 with clamps securely in place and all joints leak proof.
- Electrical supply and gas supply must be properly installed and must conform to National and Local Codes.
- Check that correct fuel supply is connected to appliance. Check correct gas pressure, correct size gas lines and for gas leaks on all gas supply connectors and this gas insert's gas valve train connectors.
- Proper clearances to combustibles must be maintained.
- LEAK TEST REQUIREMENT:** Vibration during shipping and transit of this appliance may cause some gas connections to loosen. All gas train connections in this appliance, including field installed supply line fittings and all factory installed gas train connections between the gas valve and the burner orifice(s) and pilot light, must be leak tested prior to first firing using soap and water solution or a calibrated Combustible Gas Detector. All leak tests are to be performed by a qualified installer. It is the responsibility of the installer to verify that all connections are sealed properly and leak-proof.

LIGHTING CHECK OFF LIST

Be sure to check these items before final operation of the Fireplace Insert

- All items on "Installation Check Off List" must be completed.
- Connect Rocker Switch, Wall Switch, Remote Control or Thermostat to main valve.
- Carefully follow all lighting and log installation instructions.
- Take system millivolt readings [See Pg. 33]. Be sure pilot flame has a minimum of 325 Millivolts.
- Make certain that burner lights immediately and flame runs promptly around "curve" in burner and lights entire burner. DO NOT proceed with operation unless burner cycles "on/off" without delays and the flame is "stable" and not "lifting" off burner.
- Caution: If pilot goes out be sure to wait a minimum of 5 minutes before relighting. **ALWAYS LIGHT PILOT WITH GLASS AND LOGS REMOVED.**

LIGHTING INSTRUCTIONS

IMPORTANT: Be sure all items on "LIGHTING CHECK OFF LIST" [Pg. 17] have been completed!

CAUTION: If the pilot goes out, be sure to wait a minimum of five minutes before relighting - **BE SURE TO ALWAYS REMOVE THE GLASS BEFORE RELIGHTING THE PILOT.**

1. Remove glass door - ALWAYS LIGHT PILOT WITH GLASS REMOVED!
2. Make sure any gas supply shut-off cocks are open and Thermostat is "OFF".
3. Push in Gas Cock Dial Slightly and turn clockwise to "OFF". NOTE: Dial cannot be turned from "PILOT" to "OFF" unless dial is pushed slightly. DO NOT FORCE!
4. Wait five (5) minutes to allow gas which may have accumulated in main burner compartment to escape. If you smell gas, STOP.
5. Turn Gas Cock Dial Counterclockwise to "PILOT" position.
6. Depress Gas Cock Dial and push in red Piezo igniter button. Once pilot ignites, continue depressing dial for about ½ minute. If pilot does not remain ignited, repeat operation allowing a longer period before releasing Gas Cock Dial.

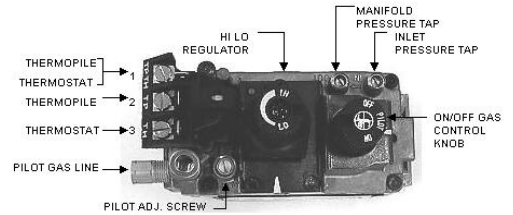
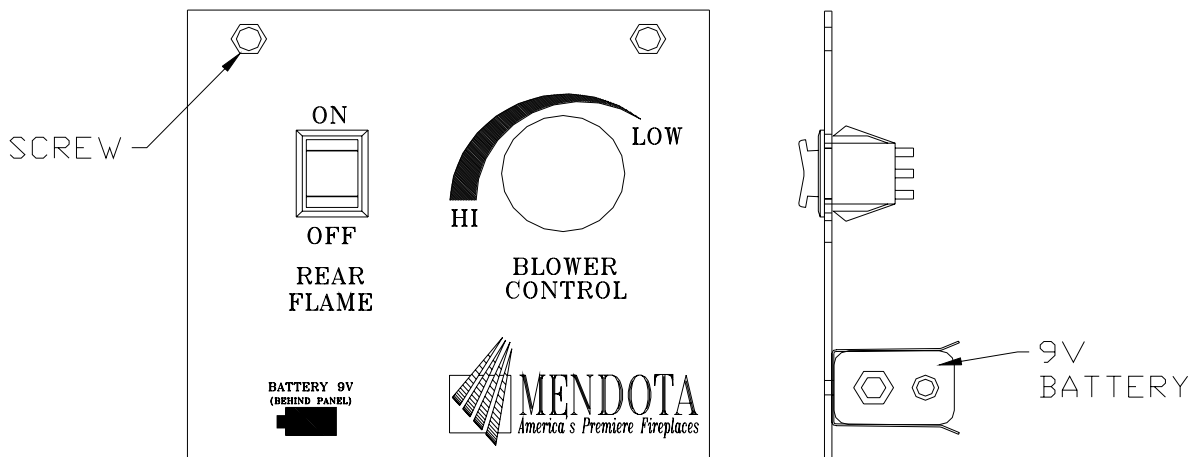


FIGURE 11: Gas Valve

IMPORTANT: After pilot is lit, system millivolt readings and gas pressure should be taken by qualified installer. **Pilot flame must register a minimum of 325 millivolts.**

7. Push Rear Flame ON/OFF switch to "on". This switch is located behind lower grill on left side. See below.



The 9 Volt Battery required for the Rear Flame ON/OFF function is mounted on the back-side of the Control Panel shown in the diagram above. To access this battery, remove the control panel mounting screws and flip this panel downward. Replace the battery with a high quality 9V Battery only.

8. After pilot is lit and before installing logs, turn Gas Dial to "ON" and "cycle" the burner on/off to make certain it ignites promptly and that the flame runs smoothly around burner curve and promptly lights entire burner.
9. With pilot operating, install log set and coals (see PG. 20). With logs/coals in place, "cycle" the burner again to make sure of prompt ignition of burner and that the flame runs smoothly around entire burner. **NOTE:** Logs will produce a strong, acrid odor on initial contact with flames.
10. Reinstall glass front by "hanging" slots on upper edge of door over tabs on upper edge of firebox opening. Then "swing in" lower edge of door. Carefully pull out the two (2) Spring Loaded Door Holding Bars located under the doorframe. Raise Bars and fit Bars firmly into Bar Holding Brackets on doorframe (see instructions PG. 10).
11. **NOTE:** Be sure doorframe is "centered" in firebox opening. To "center": Release Door Holding Bars, with door "hanging" in upper slots "slide" door frame (within the slots) to center of firebox. Replace Door Holding Bars.
12. Turn Gas Dial counterclockwise to "ON" then set Thermostat or push Remote Control to turn on burner.

13. Main burner should now light IMMEDIATELY and flame should not "lift" off burner. If there is any delay in ignition or if flame is "lifting off" burner, turn off burner and carefully check for proper installation of logs/coins, vent system and proper pilot flame impingement on burner and thermopile. Logs or coins must not block pilot flame or main burner flame. Vent system must be leak proof.
DO NOT PROCEED WITH OPERATION UNLESS BURNER "CYCLES" ON/OFF WITHOUT DELAYS!

14. To reduce heat output, turn Hi/Lo Knob counterclockwise to desired temperature (see FIGURE 11: Gas Valve).
Heat output can be reduced to 22,400 BTUH using the Hi-Lo Control. NEVER "over fire" by increasing BTUH above nameplate specifications. NEVER turn down (reduce) pilot flame below the minimum 325 milivolts.

15. To reduce the flame and heat down to 6500 BTUH., use the rocker switch (see step 7) to turn off rear burner.

NOTE: The rear burner is controlled by a 9 Volt DC solenoid valve. One 9 Volt cell battery (located behind the control panel) provides power for this unique feature. Replace with a new high quality 9 Volt battery annually.

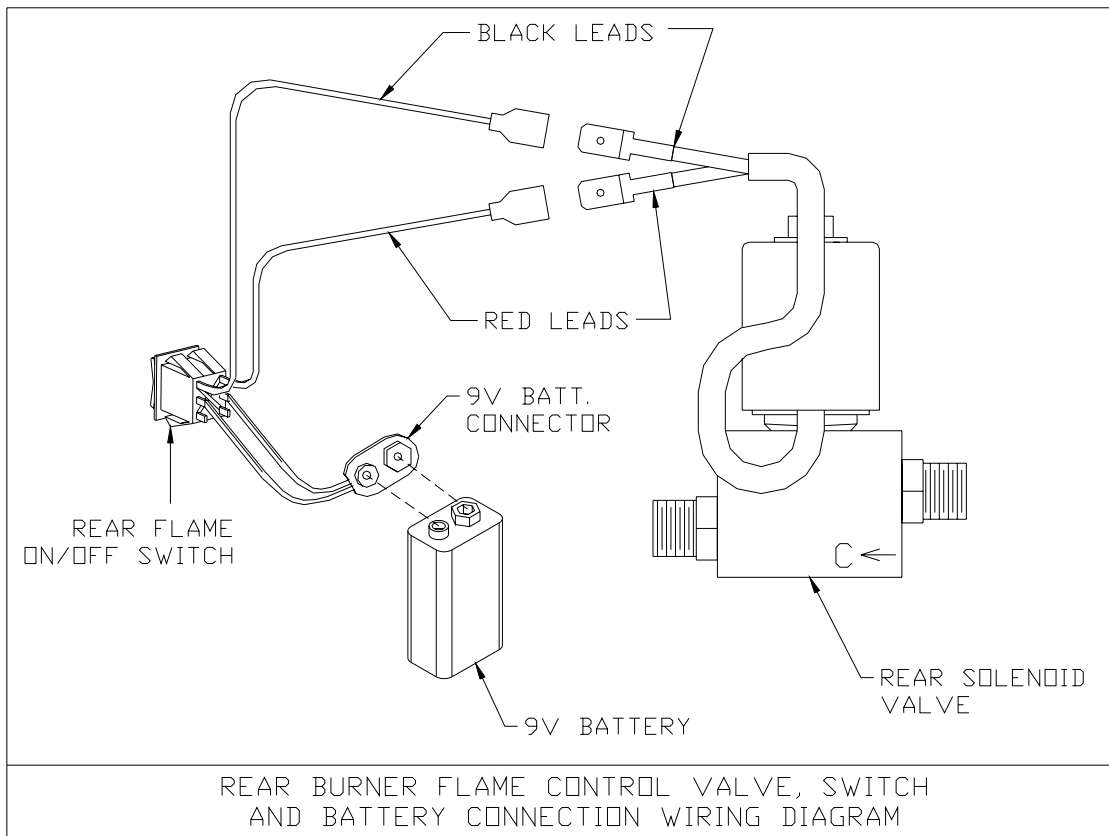
16. Open windows for first two hours of operation.

NOTICE: Initial heater start-up will cause some NON TOXIC "off gassing" of adhesives, gasket binders, paint and other materials. Most nuisance odors will be eliminated after the first two hours of operation; however, slight amounts may be present during first 24 hours of initial operation. To eliminate all nuisance odors, continuously operate this fireplace on the HIGH setting for 8 to 12 hours.

SHUT DOWN PROCEDURE:

1. Turn Remote Control or Thermostat to "OFF". Pilot will remain lit for return to normal service.
2. For complete shutdown turn Gas Cock Dial to "OFF".

WARNING: Label all wires prior to disconnection when servicing controls. Wiring errors can cause improper and dangerous operation. Verify proper operation after servicing.



DEEP TIMBER LOG SET INSTALLATION INSTRUCTIONS

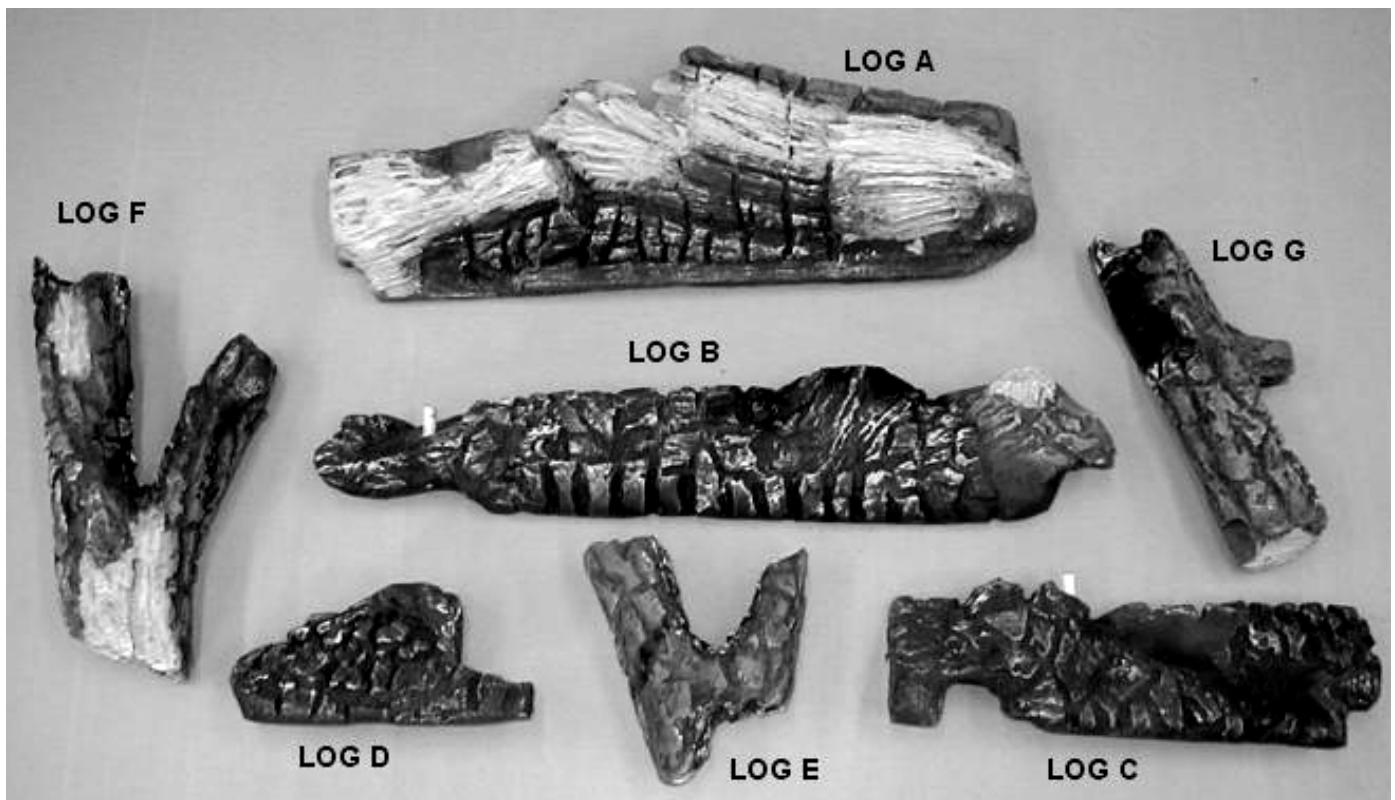
With door removed, carefully remove the shipping foam pack, containing the logs, from inside the firebox.

1. Cut the clear tapes and outer plastic wrap using a sharp utility knife or equivalent. Locate the 2 bags of coals and the log pieces. Identify each log piece, A-F and the Large Chunk coals and Small coals per the diagrams show on this page:



LARGE CHUNK COALS

SMALL COALS



Disclaimer:

***All figures in the following sections are for representation purposes only.
Your model may vary slightly from those pictured below!***

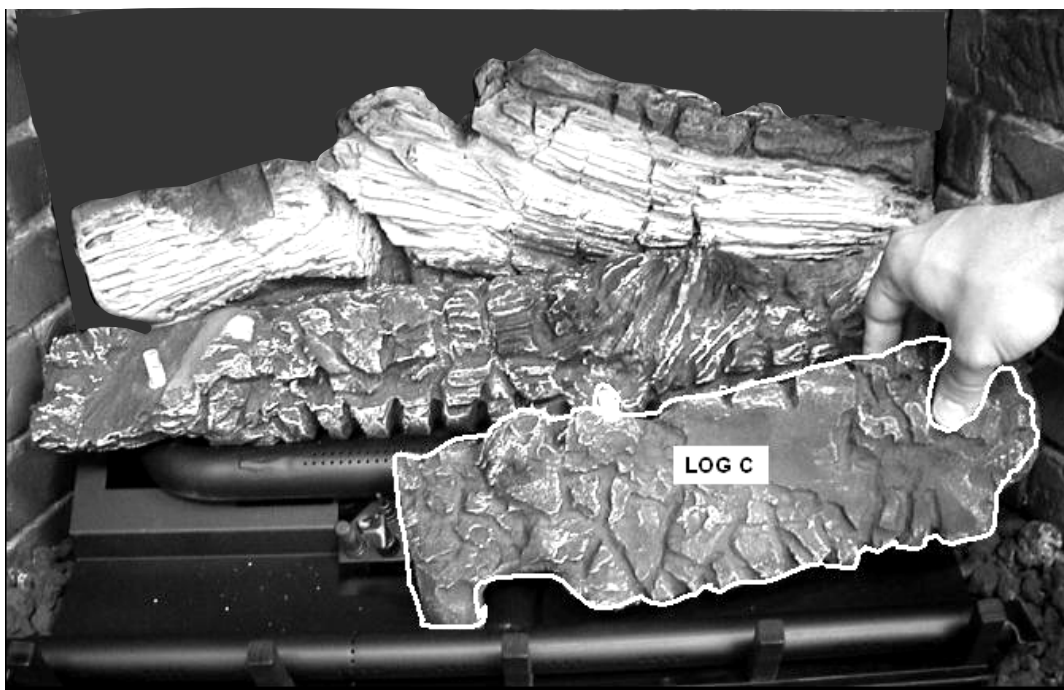
2. Place Log "A" between Rear Brick Panel and rear-most burner tube – centered left to right in firebox. NOTE: FOR USE WITH NATURAL GAS, SLIDE THIS LOG FORWARD UNTIL FRONT SURFACE TEXTURE OF LOG TOUCHES THE REAR BURNER LEG. FOR USE WITH LP GAS, SLIDE TOWARDS THE REAR OF FIREBOX SO THAT THERE IS A ¼" GAP BETWEEN FRONT SURFACE TEXTURE OF LOG AND THE REAR BURNER LEG.



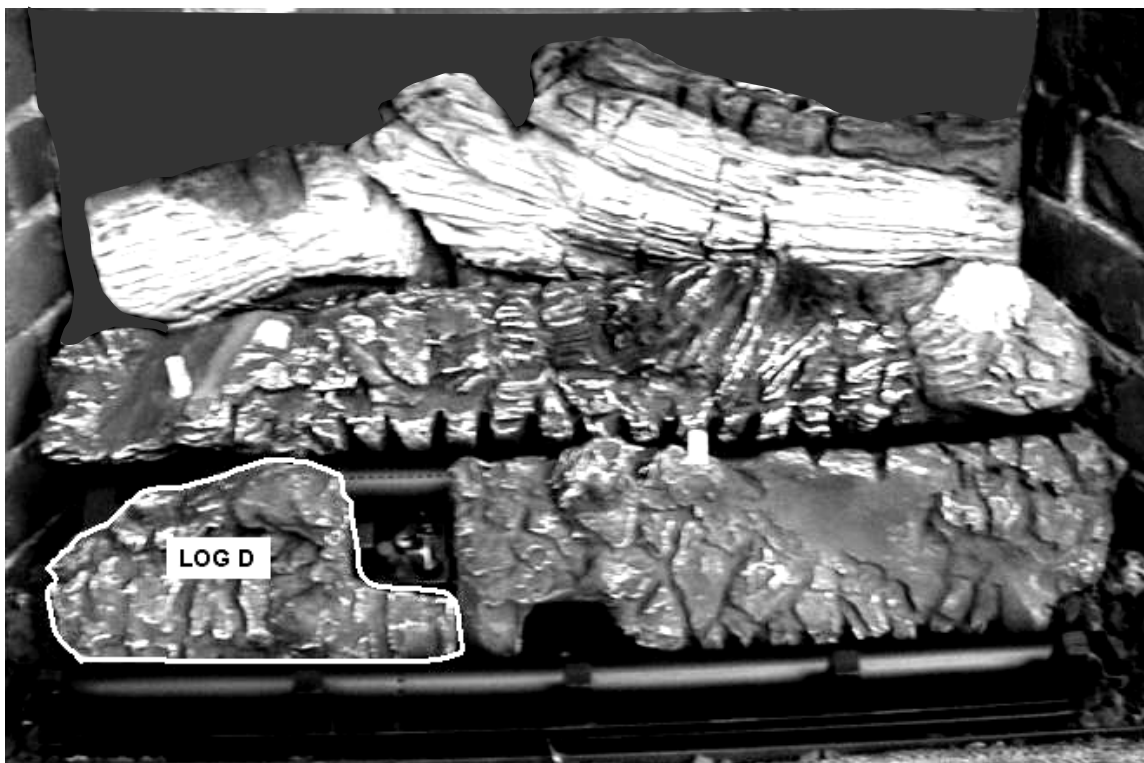
3. Place Log B between rear-most burner and middle burner tube as shown below. Slide Log "B" to the right as far as possible. The tilt angle of this log will be fixed in subsequent steps as you install Logs "F" and "G".



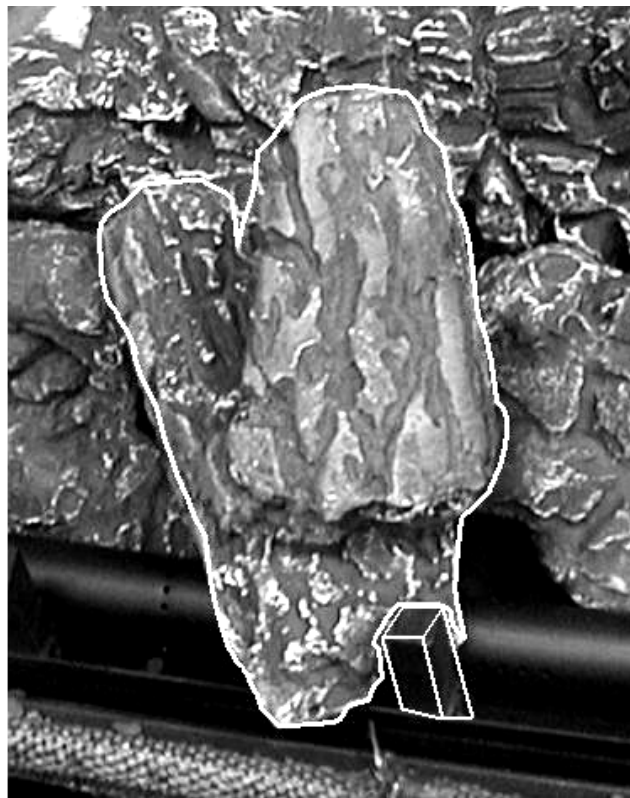
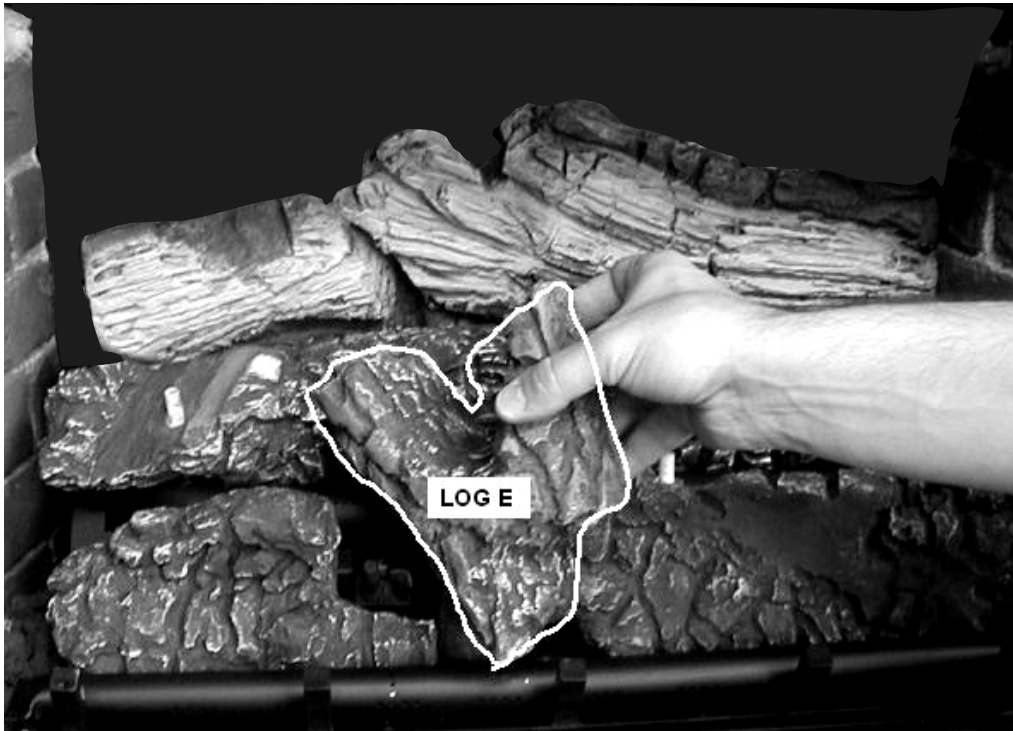
4. Place right front log “C” behind front burner as shown. Front to Back; place this log so that its rear-most edge is 1/8” away from the center burner tube. Adjustments to this location can be made later during Log “G” installation.



5. Place left front log “D” behind front burner and in front of Pilot Light, as shown. Butt Log “D” against Log “C”.

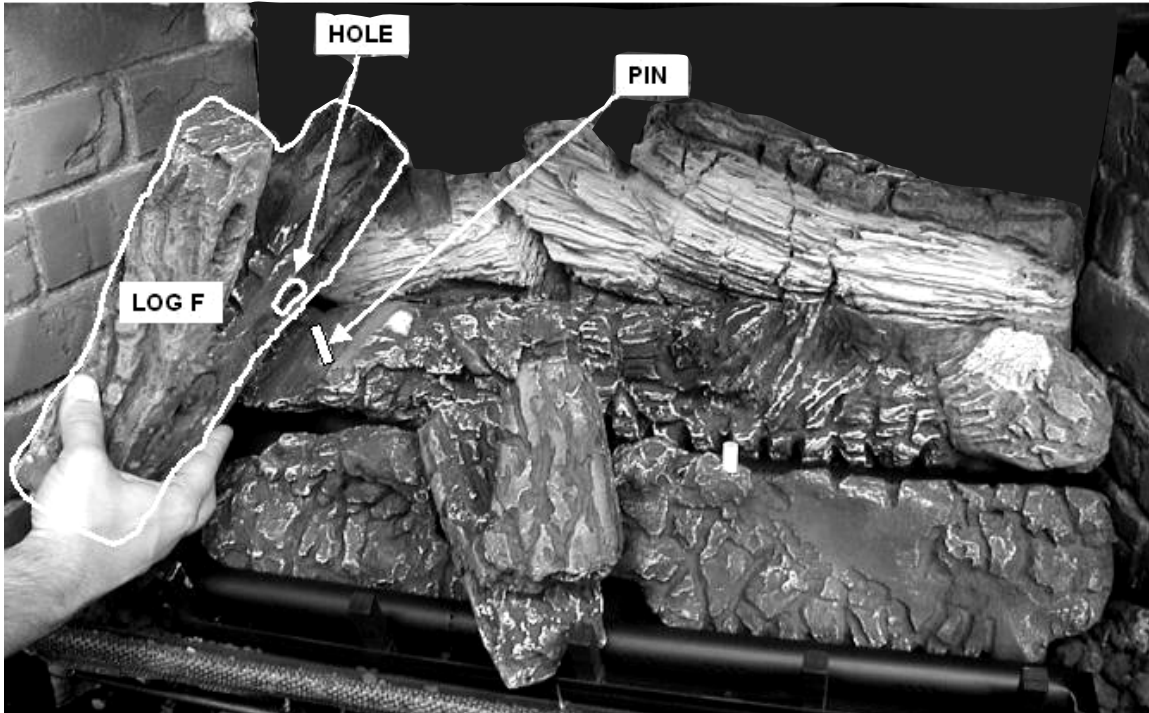


- Place log "E" as shown below – Between Logs "C" and "D" to cover the Pilot Light. Look at the diagram at the bottom of this page to determine the exact position of this log. This log should use the center Log Iron bar for support.



Log E must rest on Center Log Iron Bar as shown above.

7. Place left front log “F” as shown in the diagram below. Identify Pin on Log “B” and Hole in Log “F”. Place Log “F” so that the hole in log “F” falls over Pin in log “B”, see diagram below. Front right corner of Log “F” must rest on left-most Log Iron Bar as shown in the next diagram.

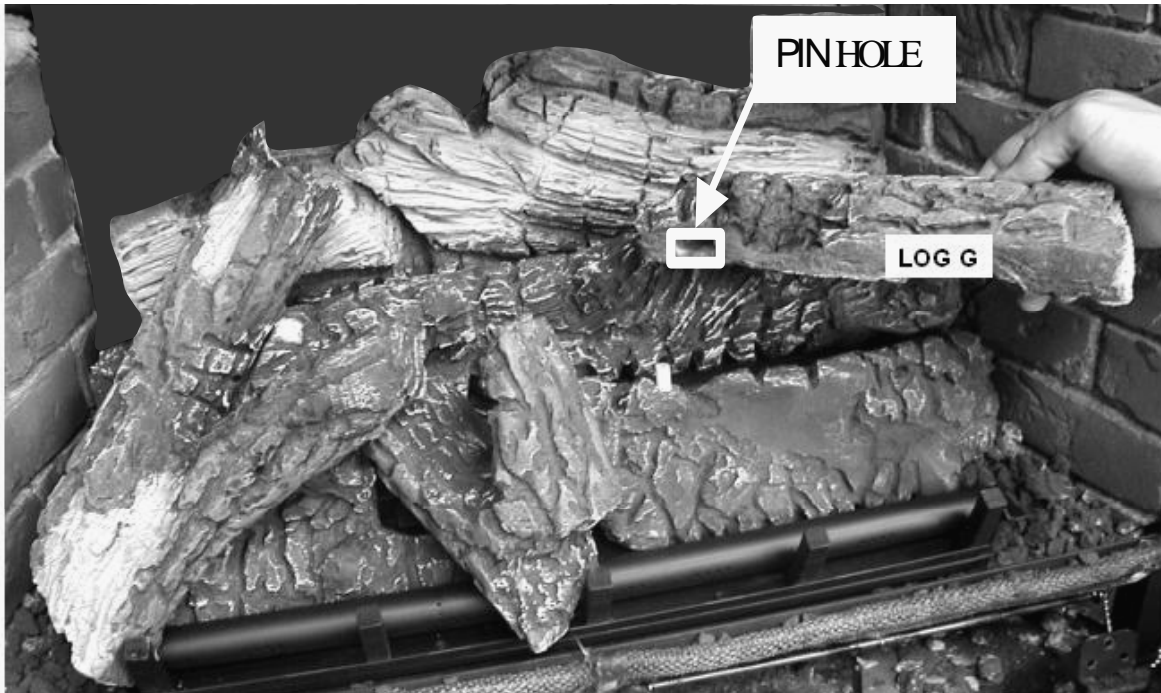


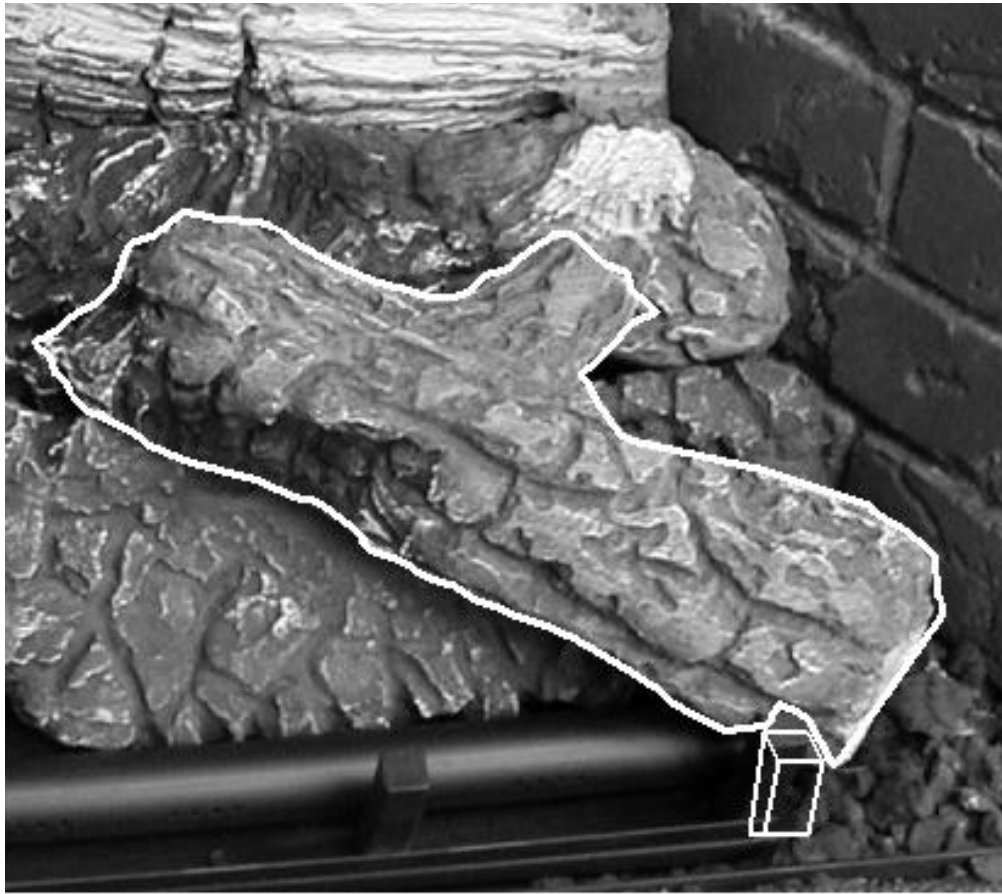
LOG “F” LOCATION

Make Certain that the front right corner of Log “F” sits on the left-most Log Iron Bar as Shown in the diagram, above.



8. Place right log “G” as shown below – Front right end against right-most log iron bar and the Pin Hole, shown, over pin in LOG “C”. Also see diagram in the next page for exact location of Log “G”.





Front corner of Log "G" must rest on right-most Log Iron Bar. This locates Log "G" properly.



FILL AREA IN FRONT OF BURNER WITH SMALL COALS

9. Carefully place large chunk coals on log "C" and "D" - between front and middle burner - in a loose pattern. Make sure that the coals are not packed too tightly and are only one layer deep. **KEEP PASSAGES CLEAR AROUND EACH COAL AS MUCH AS POSSIBLE.** This assures flame travel around each coal, and a bright glow. Sixteen Large Chunk coals are provided in the bag. You need only use approximately 9 Large Chunk Coals during initial installation. Save the rest for future replacement. To achieve yellow flames over the front ember bed and the front burner, close front burner air shutter in 1/8" increments until desired flame appearance is achieved. If sooting occurs on front logs or coals, rearrange coals or open front burner air shutter in 1/8" increments until sooting is eliminated.



Add Large Chunk Coals behind front burner and on Logs "C" and "D" surfaces. Space Coal Chunks apart at least 1/4" where they touch the Front Burner to allow upward flow paths for Front Burner Flames.



WALL SWITCH, REMOTE CONTROL OR THERMOSTAT OPERATION

The Insert comes with an "ON-OFF" Rocker Switch located in the lower right hand corner of the surround. An optional Wall Switch, remote control or thermostat may be purchased to substitute for the Rocker Switch. A thermostat should be placed in the same room as the fireplace, approx. 4-5 ft. off the floor. Do Not place thermostat near the fireplace. Thermostat must be 460 to 750 Millivolt rated. An on-off wall switch or remote control may be used if Insert is not used primarily as a supplementary heat source. **WHEN INSTALLED IN A SLEEPING AREA, A THERMOSTAT IS REQUIRED.**

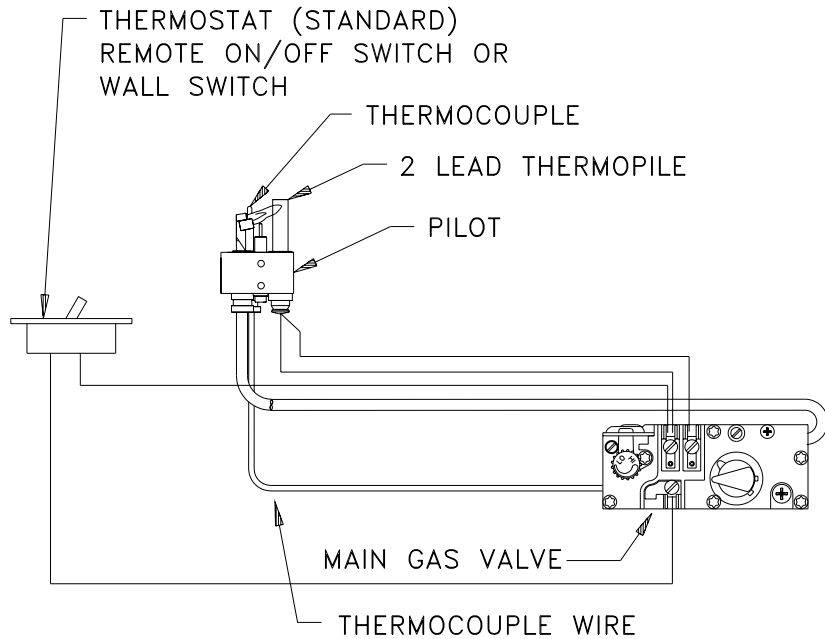
NOTE: If thermostat is located over 25 ft. from the fireplace the pilot flame may need to be increased.

CAUTION: BURNER SHOULD LIGHT IMMEDIATELY AFTER TURNING WALL SWITCH OR THERMOSTAT "ON". IF BURNER DOES NOT COME ON IMMEDIATELY TURN THE THERMOSTAT/WALL SWITCH OFF AND WAIT 60 SECONDS BEFORE TURNING ON AGAIN. IF BURNER DOES NOT COME ON IMMEDIATELY AFTER SECOND TRY RECHECK COMPLETE INSTALLATION OF LOGS, PILOT, ETC. TO INSURE PROPER PILOT FLAME IMPINGEMENT ON THE THERMOPILE AND PROMPT BURNER IGNITION.

NEVER TURN BURNER ON & OFF "QUICKLY" - ALWAYS WAIT 60 SECONDS!

When using remote control be sure to hold in button firmly until Insert lights. DO NOT push button and release quickly before Insert lights. Insert should light IMMEDIATELY and then button can be released. If Insert does not light immediately release button, wait 60 seconds and repeat lighting procedure.

Use two-wire, copper lead wire per chart and install as follows:



RECOMMENDED MAXIMUM LEAD LENGTH (TWO-WIRE) WHEN USING WALL THERMOSTAT (CP-2 SYSTEM)	
<u>WIRE SIZE</u>	<u>MAX. LENGTH</u>
14 GA.	100 FT.
16 GA.	64 FT.
18 GA.	40 FT.
20 GA.	25 FT.
22 GA.	18 FT.

THERMOSTAT WIRING DIAGRAM

FIGURE 12

NOTE: Thermostat Must Be 325-750 Millivolt Rated

CAUTION: THIS CONTROL IS A MILLIVOLT SYSTEM. NO ADDITIONAL POWER SUPPLY CAN OR SHOULD BE USED.

BLOWER OPERATION AND WIRING

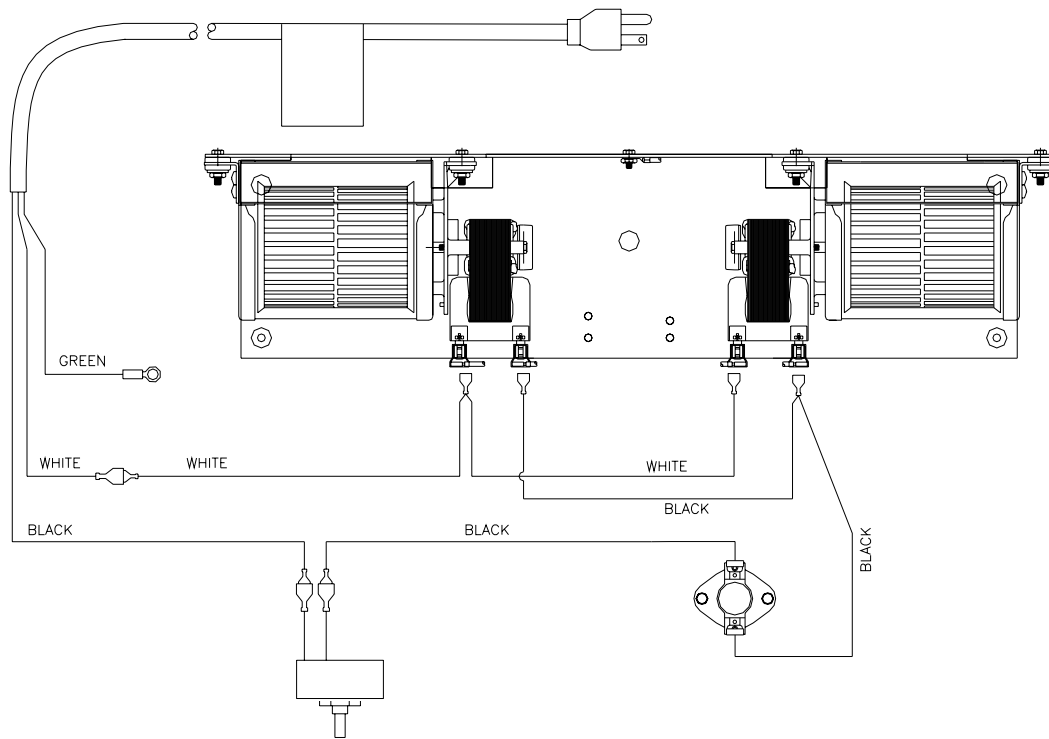
The Mendota Gas Inserts are equipped with hot air dual blowers. A 120-volt electrical service must be supplied for these blowers at the fireplace at the time of installation.

These specially designed Blower Kits are equipped with heavy duty 1,000° wiring. They include an automatic snap switch that automatically turns the blowers "On" after heat up (approx. 20 min.) and "Off" after the unit cools (approx. ½ hr.). A variable speed rheostat is also included that allows the operator to fully adjust the blower hot air output.

The low profile cross-flow blowers are made of special alloy steel for constant high-speed operation at high temperatures. Blowers are equipped with long-life, maintenance-free bearings that insure quiet operation and maximum airflow.

The blowers are ideal for owners who wish to maximize the heating capacity and efficiency of Mendota Gas Fireplaces. The blowers greatly increase total heating capacity by forcefully moving hot air away from the fireplace and mantel area and out into the room. The blowers increase the overall efficiency of the Mendota units by up to 5%.

FIGURE 13



WARNING: LABEL ALL WIRES PRIOR TO DISCONNECTION WHEN SERVICING CONTROLS. WIRING ERRORS CAN CAUSE IMPROPER AND DANGEROUS OPERATION. VERIFY OPERATION AFTER SERVICING.

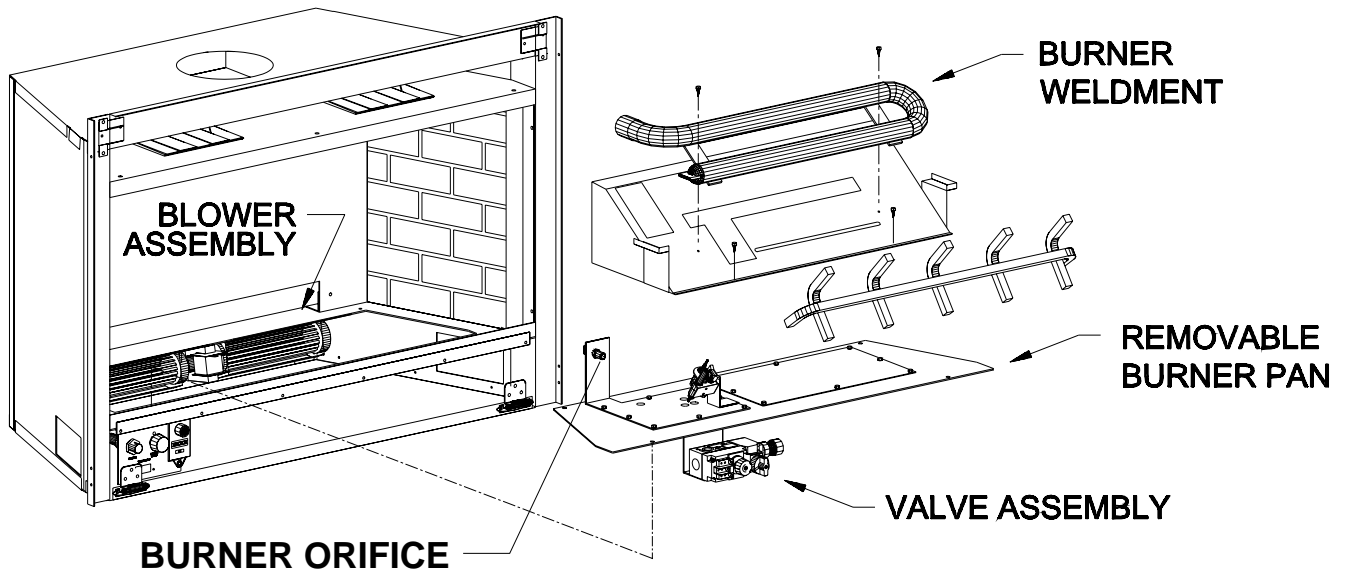


FIGURE 14

BLOWER (S) REMOVAL

1. Refer to FIGURE 14. Disconnect power to fireplace and blowers.
2. Remove door assembly, logs and coals.
3. Disconnect gas supply piping/ tubing from gas valve.
4. Disconnect electrical connections at the Snapdisc thermostat by carefully pulling off wires connected to the Snapdisc thermostat.
5. Disconnect wiring connection between gas valve and ON/OFF switch or thermostat wire.
6. Remove 2 sheet metal screws that hold down the burner tube weldment; and remove burner.
7. Remove all sheet metal screws from Removable Burner Pan. Remove entire Burner Pan carefully and set aside.
8. Remove two Thumb Screws that secure the blower assembly to the unit floor. Blower assembly can now be removed through the rectangular access hole.

Once blowers have been replaced or serviced, reassemble in reverse order.

NOTE: Seal access plate with stove cement or 600°F RTV sealant before assembling in place.

CUSTOMER INFORMATION AND TROUBLE-SHOOTING

MAXIMUM ALLOWABLE SURFACE TEMPERATURE

Mendota Inserts/Fireplaces comply with UL Standards for maximum surface temperatures on exposed combustible surfaces adjacent to the Insert. The Maximum allowable surface temperature is 117° F. over ambient (room) temperature. Thus, if a room is 70° – 80° the exposed combustible surfaces immediately surrounding the Insert can have a surface temperature as high as 187° F. – 200° F. (too hot to touch).

OVER FIRING/UNDER FIRING OF BURNER

NEVER "over fire" units by adjusting gas pressure to increase BTUH above nameplate specifications. Over firing can cause permanent damage to firebox and deterioration of parts and void warranty. NEVER "reduce" main burner or pilot flames below required Millivolts (see pg.33)

PILOT OUTAGE AND RE-LIGHTING

If pilot goes out, be sure to wait a minimum of five minutes before attempting to re-light the pilot. **BE SURE TO ALWAYS REMOVE GLASS BEFORE LIGHTING PILOT.**

CLEANING VIEWING GLASS

The viewing glass should be cleaned periodically. Exterior glass may be cleaned with cleaner as desired. Interior glass - use soap and water. NEVER USE ABRASIVE CLEANERS, NEVER CLEAN GLASS WHILE OPERATING, OR WHEN GLASS IS HOT.

NOTE: Additives that are put in gas (both natural and propane) to make it smell can be harmful to glass and can leave a white film deposit on the glass. This deposit can be removed with cleaners such as KEL KEM "Polish Plus" (# 65-06-00455, See your dealer for availability).

In some cases (especially propane) additives can cause "crazing" or etching on the glass. Although this is not normal, it is not covered under the warranty. The solution may be to change propane suppliers.

Sooting is caused by improper installation or operation. At the first sign of "sooting" (usually a thin black film on the Fireplace viewing glass) the unit must be immediately turned off and the local Mendota dealer promptly informed. Mendota products are designed and tested to operate without producing any "sooting" when installed and operated correctly. Mendota dealers will correct "sooting" problems, but Mendota and their dealers are not responsible for damage caused by excessive sooting that has not been immediately brought to their attention.

AGA/ANSI APPROVAL

Gas appliances must be tested and certified by a nationally recognized testing and certification laboratory to ANSI [American National Standards Institute] gas appliance safety standards.

The Mendota Gas Fireplace Insert has been tested and certified by Intertek Testing Services, 8431 Murphy Drive, Middleton, Wisconsin 53562.

The Mendota Gas Fireplace Inserts have met all necessary AGA/ANSI Standards and are fully certified for installation in any community.

TROUBLE SHOOTING MENDOTA GAS FIREPLACE INSERT

SYMPTOM	PROBABLE CAUSES	CORRECTIVE ACTION
1. Thin black coating [soot] forms on viewing glass.	A. Incorrect gas pressure B. Not enough combustion air	Have gas supplier check for correct gas pressure [7" W.C. Nat. Gas; 11" W.C. LP Gas]. If sooting continues open-air shutter on burner [see "Gas Flame Adjustment" below]. If sooting still continues, call a Mendota dealer. NOTE: To clean glass - remove glass and wipe glass with cloth or paper towel.
2. Humming or whistling coming from Fireplace Insert.	A. Normal operating noise.	Some noise is normal. It is caused by the gas supply flowing through the gas orifice. It is expected from any gas fireplace. The noise can be reduced by turning the Hi/Lo Knob on the control. Turning down the flame will reduce the heat output of the Insert.
3. A change in flame appearance or burner operation.	A. A change in gas pressure. B. Carbon dirt or lint.	Have your gas supplier check for correct gas [7" W.C. Nat. Gas; 11" W.C. LP Gas]. If flame still needs adjustment see "Flame Adjustment" below. Clean out carbon, spider webs, lint, etc. from shutter area. NEVER BLOCK AIR INTAKE OR OUTLET VENTS.

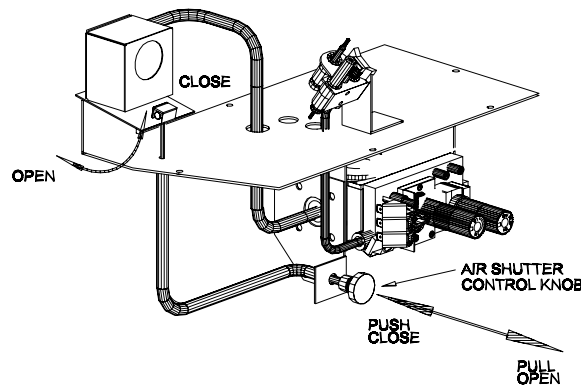


FIGURE 15: Air Shutter Adjustment

(Parts shown are for depiction purposes only. Your actual model may appear different than what is shown above)

GAS FLAME ADJUSTMENT

During the initial installation, the air shutter opening should be checked to be certain that the shutter is set correctly at 1/8" to 1/4" open for natural gas and 1/2" minimum open for L.P. gas. **NOTE:** For altitudes above 5,000 ft., some variations may be required.

Be sure burner and logs are properly installed (see pages 20-27). After burner has been properly installed and operated for 2-3 hours, small additional adjustments to the air shutter may be necessary for final flame appearance. These small shutter adjustments can be made by the following procedure:

[NOTE: Very small changes in shutter settings make major changes in flame appearance.]

1. Air shutter control is located behind the lower grill.
2. If flame is too "blue," push air shutter knob in (close) in small 1/8" increments until flame turns desired realistic "orange."
3. If flame is too "orange" or is causing sooting on viewing glass, pull air shutter knob out (open) in approx. 1/8" increments until sooting stops. **IF SOOTING DOES NOT STOP, TURN OFF UNIT AND CALL YOUR MENDOTA SERVICE PERSON.**

IMPORTANT: Try each new shutter setting approx. 1/2 hr. before making additional changes. **NOTE:** Changes in front burner flame can be made by re-arranging the coals and front burner air shutter opening. (See above.)

MAINTENANCE

1. **ANNUAL MAINTENANCE OF MENDOTA UNITS IS REQUIRED.** The following procedures must be performed each year by a Mendota approved service person. NOTE: Any adjustments to burner, pilot or logs must be done by a qualified Mendota service person.

- A. Clean all lint and dust build-up around the control. Inspect the condition of any wiring under the burner for melting or damage.
- B. Remove logs & coals and clean away any foreign matter (lint, carbon, etc.) on the burner and logs. Be sure the burner ports are "open". Clean the pilot and under side of the logs for any carbon deposits. NOTE: Logs should be visually checked for carbon "build-up". If carbon deposits are visible on logs, unit should be turned off and Mendota service person contacted.
- C. Make sure hot air outlet grills are free from lint and other obstructions. Never block or obstruct grill openings. Check condition of gaskets, gaskets must be tight, replace if necessary.
- D. Check that chimney flue and outlet are open and free of blockage.
- E. Before re-installing glass, have qualified service person check the operation of the pilot with a millivolt meter and cycle the burner per LIGHTING INSTRUCTIONS (see Pg. 18).

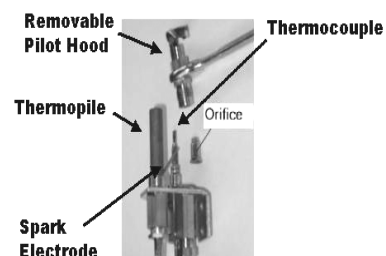


FIGURE 16

2. **COMBUSTION SYSTEM MILLIVOLT READING:**

Millivolt readings must be taken by a qualified installer at the time of installation and after any interruption in burner operation. These readings will establish proper thermopile Millivolt generation and assure trouble-free burner operation. Readings must be taken with: a.] Pilot ONLY operating. b.] Main Burner operating.

A. **PILOT ONLY OPERATING - Thermostat "OFF"** - Minimum Millivolts 325

Using a Millivolt Meter a millivolt reading should be taken by attaching Meter leads to terminals #1 and #2 on the main gas valve. The Meter must read a minimum of 325 millivolts with the Pilot Light operating, Thermostat turned "OFF" and Main Burner "OFF". To increase or decrease millivolts, (and pilot flame) adjust pilot screw on control. (See below)

B. **MAIN BURNER OPERATING - Rocker Switch "ON"** - Minimum Millivolts 100.

Using a Millivolt Meter, a millivolt reading should be taken by attaching Meter leads to terminals #2 and #3 on the millivolt panel on the main gas valve. The Meter must read a minimum of 100 millivolts with the Gas Cock Dial turned "ON", Rocker Switch "ON" and Main Burner operating.

CHECK TEST	TO TEST	CONNECT METER LEADS TO TERMINALS	THERMOSTAT CONTACTS	METER READING SHOULD BE
A	COMPLETE SYSTEM	2 & 3	CLOSED	100MV OR MORE
B	THERMOPILE OUTPUT	1 & 2	OPEN	GREATER THAN 325 MV
C	SYSTEM RESISTANCE	1 & 3	CLOSED	LESS THAN 2.8 Ohms
D	AUTO/PILOT DROPOUT	1 & 2	OPEN	BETWEEN 120-30 MV

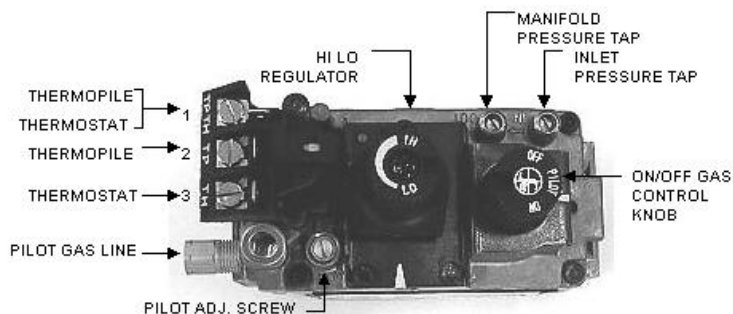


FIGURE 19: Millivolt Readings

3. **THE VIEWING GLASS SHOULD BE CLEANED PERIODICALLY.** Exterior glass may be cleaned with cleaner as desired. Interior glass - use KEL KEM "Polish Plus", part # 65-06-00455.

WARNING: NEVER CLEAN GLASS WHEN UNIT IS HOT. DO NOT USE ABRASIVE CLEANERS. BREAKAGE AND SCRATCHES MAY RESULT.

REPLACEMENT PARTS LIST
MENDOTA GAS FIREPLACE INSERT - MODEL D-40 Deep Timber

PART NO.	DESCRIPTION
HA-34-00007	Flat Door Assembly
65-06-00483	Glass Door Pane Flat
HA-33-00031	Door Gasket Flat
HA-34-00035	Bay Door Assembly
65-06-00582	Glass Door Pane Bay
HA-33-00070	Bay Gasket Door
HA-33-00071	Glass Gasket-Horizontal - (4 required)
HA-33-00072	Glass Gasket-Vertical - (2 required)
35-01-00341	Deep Timber Log Set
35-01-00240	Bag of Coals
35-01-00234	Firebrick Kit
35-01-00239	Glowing Inswool (.6 oz Bag)
10-10-00104	On-Off Switch – Externally Mounted on Surround
65-06-00149	Piezo Igniter
05-02-00306	Main Gas Valve - SIT
HA-34-00178	L.P. Kit
HA-34-00187	Valve Assembly w/LP Conversion Kit - SIT
05-02-00283	Knob - On-Off Extension
10-10-00152	Rear Burner Rocker Switch
05-02-00284	Knob - Hi/Lo Regulator Ext.
05-02-00290	L.P. Pressure Regulator
HA-27-0016	Front Orifice (Nat. Gas) #52
HA-33-00198	Rear Orifice (Nat. Gas) 7/64"
HA-33-00191	Front Orifice (L.P. Gas) #57
HA-33-00190	Rear Orifice (LP. Gas) 1/16"
05-04-00036	Pilot Orifice (LP Gas)
05-04-00035	Pilot Assembly Complete - Nat. Gas
05-07-00061	Thermopile
05-07-00067	Thermocouple
10-01-00046	Rheostat
15-02-00064	Blower with Motor RH
15-02-00065	Blower with Motor RH
05-01-00157	Thermo-Disc (Snap Disc)
65-06-00125	Black Paint, 12 oz Aerosol Can
05-02-00308	Rear Burner Solenoid Valve-Concentric Control
35-01-00311	Large Chunk Coals

WARNING: Use only authorized parts and materials obtained from Johnson Gas Appliance Company when replacing defective or damaged glass.

DO NOT use glass from other suppliers as a replacement.

DO NOT substitute other manufacturer's materials or components.

DO NOT operate unit with cracked, broken or missing glass.

DO NOT FORCE, STRIKE OR SLAM GLASS DOOR ASSEMBLY.

NATURAL TO LP GAS CONVERSION

KIT # HA-34-00178

This conversion must be made by a qualified service technician.

A Natural Gas to LPG conversion kit #HA-34-00178 must be purchased separately for the D40 Fire-place Insert to burn LPG.

LP Conversion Kit #HA-34-00178 contains the following parts: One LP Pressure Regulator, One LP Pilot Orifice Thimble, One Cap Orifice drill 1/16" (for rear burner) and One Cap Orifice drill #57 (for front burner). Specifically, identify the Rear and Front Burner Cap Orifices. Use proper sized drill bits' shaft ends to verify orifice sizes.

WARNING: IT IS OF THE UTMOST IMPORTANCE THAT THE CORRECT BURNER ORIFICE BE INSTALLED FOR BOTH THE REAR AND FRONT BURNERS.

1. Turn off gas supply at the appliance service valve. Identify the Pressure Regulator on the Valve Body, see Figure 18 on Page 36.
2. Using a 1/4" flat blade screwdriver, remove 3 screws that secure the NG Pressure Regulator to the gas valve body and remove NG Pressure Regulator as shown on PAGE 36. Identify the pressure regulator spring that is located in the center of the black rubber gasket. Discard both the black rubber gasket and spring.
3. Install the new LP Pressure Regular onto the gas valve body in the same position and orientation as the NG Pressure Regulator you removed in Step 2, above. The LP Pressure Regulator can only be mounted in one position. Secure the LP Pressure Regulator in place using the 3 screws you removed in Step 2. Tighten down using a 1/4" flat blade screwdriver.
4. Remove both Rear and Front Burners. Locate and Identify the Rear Burner Orifice Spud and the Front Burner Orifice Spud. Both Front and Rear Orifice Spuds are removed and installed using a 1/2" deep well socket and ratchet.
5. Install Rear Burner Orifice #HA-33-00190 (1/16" drill) for the Rear Burner. Tighten down securely.
6. Install Front Burner Orifice #HA-33-00191 (#57 drill) for the Front Burner. Tighten down securely.
7. Install pilot orifice thimble #05-04-00036 (.014") see Figure 15 for location. Remove and install pilot hood with 7/16" open-end wrench. (Pilot orifice thimble is located inside pilot hood base).

8. Air Shutter Adjustments:

Rear Burner Flame: Air shutter adjustment can be made using the Air Shutter Control Knob located on the Control Panel. Normally, for LPG application, pull the Air Shutter control Knob outward 1/2 inches. Depending on venting configuration, the Air Shutter Knob may need to be pulled further outward to provide more primary air.

Front Burner Flame: Air shutter adjustment must be made before installing the front burner inside the firebox. Locate the rotary shutter and the setscrew. Using a Phillips Screw Driver, loosen the setscrew and rotate the air shutter open 1/8 inches. Further adjustment to this shutter opening may be necessary depending on the venting configuration and the flame color and glow effect desired.

NOTE: IF SOOT DEPOSITS LARGER THAN 1/2 INCHES DIAMETER ARE OBSERVED ON ANY OF THE LOGS, THE FRONT AND/OR REAR AIR SHUTTER OPENINGS MUST BE ENLARGED.

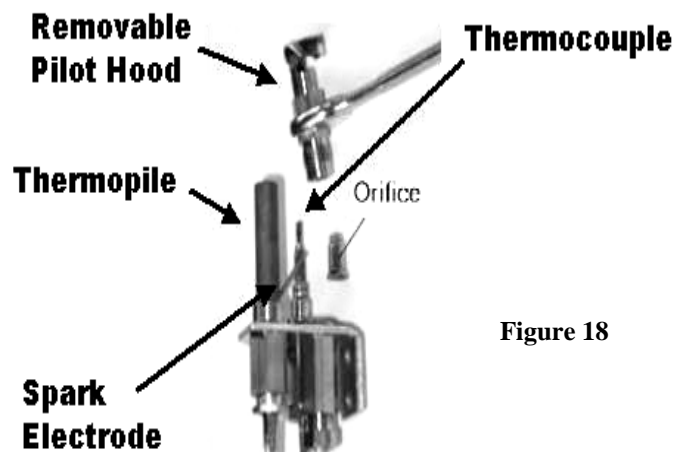
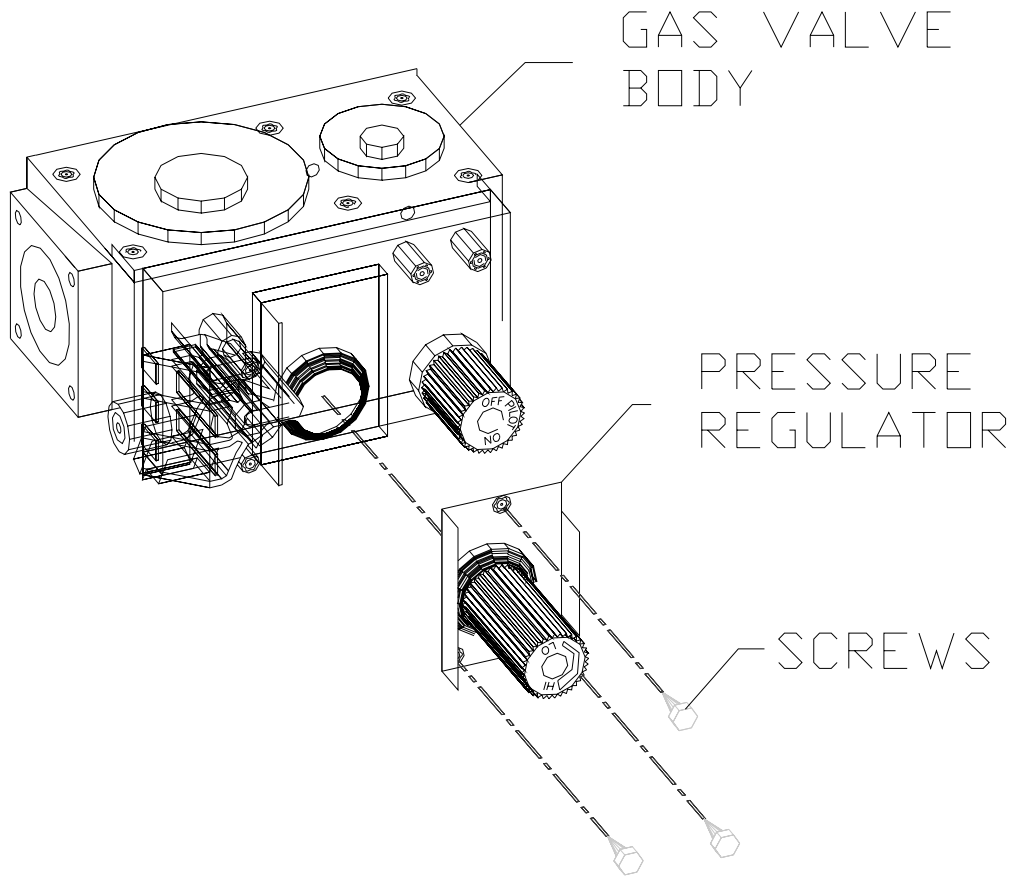


Figure 18

Figure 19



“LABEL REPRESENTATION”
LISTED GAS-FIRED DIRECT VENT ROOM HEATER
POÈLE AU GAZ HOMOLOGUE’, A AÉRATION DIRECTE
MODEL: _____

CERTIFIED FOR CANADA

HOMOLOGUÉ POUR LE CANADA

Also for use in mobile (manufactured) homes after first sale of home. Convenant également pour installations dans des maisons mobiles.

Tested to (Testé aux normes) ANSI Z21.11.1-1993, CAN1-2.1-M89, CAN/CGA 2.17-M91, ANSI Z21.44-1995 and CGA I.R. #41-M91.

WARNING: Improper installation, adjustment, alteration, service or maintenance can cause property damage, personal injury, or loss of life. Refer to the owner's information manual provided with this appliance. Installation and service must be performed by a qualified installer, service agency or the gas supplier. Use only glass assemblies certified for use with this appliance. Do not operate with glass panel(s) removed, cracked, or broken.

MISE EN GARDE: Installation, réglage, modification, entretien ou dépannage non appropriés pourront causer des blessures ou des dommages matériels. Référez-vous au manuel du propriétaire fourni avec cet appareil. Pour assistance ou renseignements complémentaires, veuillez consulter un installateur expérimenté, une agence de dépannage/entretien ou votre compagnie gazière. Pour utilisation avec les portes en verre certifiée l'appareil seulement. Ne pas opérer avec le verrière enlever, craquelure, brise.

NOT FOR USE WITH SOLID FUEL (NE DOIT PASÉ UTILISÉ AVEC UN COMBUSIBLE SOLIDE)

	NATURAL GAS (Gaz Naturel)	PROPANE GAS (Gaz de petrole liquefie (GPL))
Input Rating (Btu/hr) 0-1370 m (Entrée nominale)	40,000	39,000
Min. Input Rating (Btu/hr) 0-1370 m (Mininale Entrée nominale)	6,000	6,000
Orifice (DMS))-1370 m (Orifice)	#48 & #32	1/16” & #57
Maximum output (Btu/hr) (Sortie maximale)	29,500	30,000
Manifold Pressure (in w.c./kPa) (Pression au collecteur)	3.5/0.87	10.0/2.5
Manifold Pressure, low (in w.c./kPa) Pression d'entree minimale)	1.7/0.42	6.3/1.58
Minimum Inlet Pressure (in w.c./kPa) (Pression d'entrée minimale)	5.0/1.25	11.0/2.75

This appliance must be installed in accordance with local codes if any; If not, follow ANSI Z223.1 or CAN/CGA-B149. Mobile (Mfd.) home installations must adhere to Title 24 CFR, Part 3280, or CSA Z240.4.

Cet appareil sera installé conformément avec les codes locaux, le cas échéant. Si aucun code n'existe, suivez la norme ANSI Z223.1 ou la norme CAN/CGA (ACNOR)-B149.

MINIMUM CLEARANCES FROM COMBUSTIBLE CONSTRUCTION

Unit to sidewall	16 in.	Unit top to mantle	12 in.
Unite en cote	405 mm	Unité en manteau de cheminée	305 mm

CAUTION: Hot while in operation. Do not touch. Keep children, clothing, furniture, and flammable liquids or vapors away. **ATTENTION:** L'appareil est chaud lorsqu'il fonctionne. Ne pas toucher l'appareil. Surveiller les enfants. Garder les vêtements, les meubles, l'essence ou autres liquides a capeur inflammables loin de l'appareil.

Electrical Rating (Courant nominal): 120 volts 60 Hz Less than 2 Ampere

Manufactured by (Fabriqué par):

JOHNSON GAS APPLIANCE
CEDAR RAPIDS, IOWA

DO NOT REMOVE OR COVER THIS LABEL
VEILLEZ Á NE JAMAIS ENLEVER NI DISSIMULER CETTE ÉTIQUETTE

WH# _____

MENDOTA WARRANTY QUALIFICATION & SERVICE REFERENCE FORM

As a part of Mendota's on-going program of customer satisfaction, this Form verifies proper installation and operation. It is important as a reference for future service. It insures long life and trouble-free operation of Mendota fireplaces & stoves and qualifies the owner for Mendota's lifetime limited warranty. Owner should sign Form when completed. Optionally, please register at our website at : WWW.JOHNSONGAS.COM/MENDOTA-REGISTRATION.ASP

HOME OWNER: _____ DEALER: _____
 ADDRESS: _____ ADDRESS: _____
 CITY/STATE/ZIP: _____ CITY/STATE/ZIP: _____
 SIGNATURE: _____ PHONE: _____
 MODEL #: _____ SERIAL #: _____ DATE INSTALLED: _____
 GAS _____ NAT or _____ L.P.

Mendota Fireplace Inserts are sophisticated, hi-tech gas appliances. All installation and operating instructions must be carefully followed. The DXV fireplace must be installed and serviced by a qualified Mendota approved service person.

REF: MENDOTA GAS FIREPLACE INSERT

- APPROVED VENT PIPES AND VENT CAP INSTALLED - Per Manual and manufacturer's specifications
- CHECK FOR PROPER CLEARANCES TO COMBUSTIBLES - Per pipe manufacturer's specifications
- INSTALL PROPER SIZE GAS LINES - CHECK FOR GAS LEAKS - Per Manual
- CHECK FOR CORRECT GAS PRESSURE AT MANIFOLD - Per Manual
 - a. 3.5 Inches Water Column Maximum - Nat. Gas
 - b. 10.5 Inches Water Column Maximum - L.P. Gas
- TAKE COMBUSTION SYSTEM MILLIVOLT READINGS [See Manual Pg. 33]
 - a. Pilot only - [Minimum millivolt 325] Reading: _____
 - b. Main burner operating - [Minimum Millivolts 100] Reading: _____
- CYCLE BURNERS ON/OFF FOR PROMPT IGNITION - Per "LIGHTING INSTRUCTIONS"
 Burner must light IMMEDIATELY - Flame must travel promptly around "curve" & light burner.
- INSTALL LOGS AND ADJUST FLAME - Per Manual
 Proper pilot flame impingement on thermopile & burner - Air shutter opening: 1/8" - 1/4" Nat. Gas - 1/2" LP
- BRIEF OWNER ON OPERATION AND MAINTENANCE OF UNIT
 - Light Pilot
 - Operate Burner
 - Explain blower "delay" operation

WARRANTY REGISTRATION

Your Name _____

Address _____

City _____ State _____ Zip _____

Dealer (Place of Purchase) _____

City _____ State _____ Zip _____

Date of Purchase _____ Serial Number _____

Purchaser's Signature _____

MENDOTA FIREPLACE INSERT, _D-40 DEEP TIMBER_____

CUT OUT PAGE AND MAIL TO: JOHNSON GAS APPLIANCE CO., 520 E AVE. N.W. , CEDAR RAPIDS, IOWA 52405
 OR REGISTER YOUR NEW INSERT AT: WWW.JOHNSONGAS.COM/MENDOTA-REGISTRATION.ASP

TAPE SHUT

**POSTAGE
NEEDED**

**JOHNSON GAS APPLIANCE COMPANY
520 E AVENUE N.W.
CEDAR RAPIDS, IA 52405**

NOTES

NOTES

MENDOTA EXTENDED LIFETIME PROTECTION AND LIMITED WARRANTY

MENDOTA GAS FIREPLACE INSERT MODEL: _____ NAT. & L.P.

Mendota Division of Johnson Gas Appliance Company, 520 E Avenue N.W. Cedar Rapids, Iowa 52405, extends this Extended Lifetime Protection and Limited Warranty to the original purchaser of a Mendota Gas Fireplace Insert, Serial Number _____, which is limited and used under normal home conditions.

STANDARD WARRANTY:

JOHNSON GAS APPLIANCE CO., MENDOTA DIVISION, WARRANTS THAT YOUR NEW MENDOTA GAS FIREPLACE INSERT IS FREE FROM MANUFACTURING AND MATERIAL DEFECTS FOR A PERIOD OF ONE YEAR FROM THE DATE OF INSTALLATION, SUBJECT TO THE FOLLOWING CONDITIONS AND LIMITATIONS:

EXTENDED LIFETIME WARRANTY:

THE HEAT EXCHANGER, THE BURNER TUBE, THE COMBUSTION CHAMBER AND THE OUTER SHIELD OF THE MENDOTA GAS FIREPLACE INSERT ARE WARRANTED FOR THE LIFETIME OF THE ORIGINAL OWNER, SUBJECT TO PROOF OF PURCHASE AND THE FOLLOWING CONDITIONS AND LIMITATIONS:

- 1) This new Mendota Fireplace Insert must be installed and serviced by a competent, authorized service contractor. It must be installed and operated at all times in accordance with the installation and operating instructions furnished with the Fireplace. All adjustments to logs, coals or burner must be made by an authorized Mendota Service person.

This limited warranty does not cover the cost of service calls, the cost of labor to remove or install parts covered by this limited warranty, freight or other transportation expenses that may be incurred in connection with obtaining performances under this limited warranty. The remedy for damages as the result of any defects in this product which have been warranted herein is limited to replacement parts and does not include any incidental, indirect or consequential damages or expenses sustained in connection with the products, including damages to property, except as provided by law.

- 2) This warranty is non-transferable and is made to the original retail purchaser, provided the purchase was made through an authorized Mendota dealer.

Mendota is not responsible for any damage to or malfunction of the Insert unless caused by a defect in material or workmanship from normal home use. Damage caused by abuse, improper installation or operation, installation by unqualified personnel or breach of the conditions of this limited warranty will excuse Mendota from performance of any part of the limited warranty. This warranty does not cover glass or log breakage.

Mendota has the right to investigate and inspect the exact original fireplace and materials, in the event a claim is made (without alterations or tampering), to determine whether the claimed damage or malfunction was caused by abuse, improper installation or other cause outside this warranty. Mendota is not responsible for any repairs or material purchases that have not received prior written approval from Mendota.

NOTE: Minor warping of certain parts or discoloration is normal and is not a defect covered by this limited warranty. Over-firing of your Mendota Fireplace Insert can cause major warping of parts. Over-firing above rated nameplate specifications is contrary to the manufacturer's instructions and WILL void this warranty.

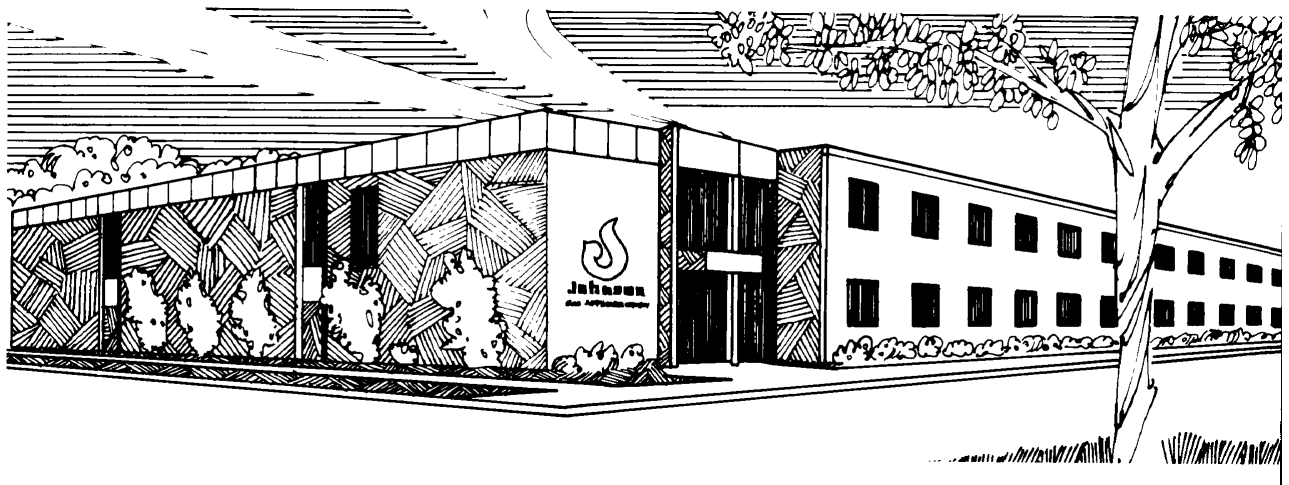
This warranty may not be extended by our representatives in any manner. The company neither assumes, nor authorizes any third party to assume, on its behalf, any other liabilities with respect to the sale of this Mendota product.

- 3) Mendota may at its discretion, fully discharge all obligations of this warranty by refunding the wholesale price of the defective part(s).
- 4) All other warranties - expressed or implied - with respect to the product, its components and accessories, or any obligation/liabilities on the part of the company are hereby expressly excluded. Products made by other manufacturers, sold with the Fireplace or thereafter, are not covered by this limited warranty. The use of unauthorized components will make this warranty null and void.

This warranty shall be effective only if the original purchaser of the Mendota appliance is registered with Mendota Division within thirty (30) days of the date of purchase. Such registration or the failure to register shall not be deemed to create any obligation or liability by the manufacturer and this warranty with its conditions and limitations shall be the only procedure for obtaining any rights against the manufacturer and expresses the sole obligation and responsibilities of the manufacturer which are offered to the original purchaser and accepted upon purchase of the appliance.

Mendota Division, reserves the right to make changes at any time without notice, in design, material, specifications, prices and the right to discontinue styles and products.

Some states do not allow the exclusions of limitation of incidental or consequential damages or limitations on how long an implied warranty lasts, so the above limitation or exclusion may not apply to you. This warranty gives you specific legal rights and you may also have other rights, which vary from state to state.



Johnson Gas Appliance Company
520 E Avenue N.W. - Cedar Rapids, IA 52405

Website: www.johnsongas.com or www.mendotahearth.com

DT-0806
Part #85-03-00685